

VANITY & CO.

26 CHURCH STREET
WELLESLEY, MA 02482

MATERIALS

3/4", 1" MOISTURE RESISTANT MDF
WHITE OAK OR PAINT GR MAPLE
1/2", 3/4" PREFINISHED MAPLE PLYWOOD
METAL MESH: KENT DESIGN # 1215C
"ANTIQUE BRASS" FINISH
WOOD BLOCKING

HARDWARE

2 EA DROP PULLS: ARMAC MARTIN #CRWD/38
POLISHED UNLACQUERED BRASS,
PROVIDED BY OTHERS
4 EA HINGES: DELTANA OLIVE KNUCKLE HINGES,
2" x 1-1/2", 2 LEFT & 2 RIGHT, POLISHED
UNLACQUERED BRASS, PROVIDED BY OTHERS
2 EA STEM LEVELERS, HAFELE #637.05.308, BLACK
WITH 1/4" #20 T-NUTS

FINISH

PAINT FINISH: BEN MOORE - WHITE DOVE, SATIN
POLISHED UNLACQUERED BRASS
STONE: 3CM THICK - BY OTHERS

NO.	DESCRIPTION	DATE

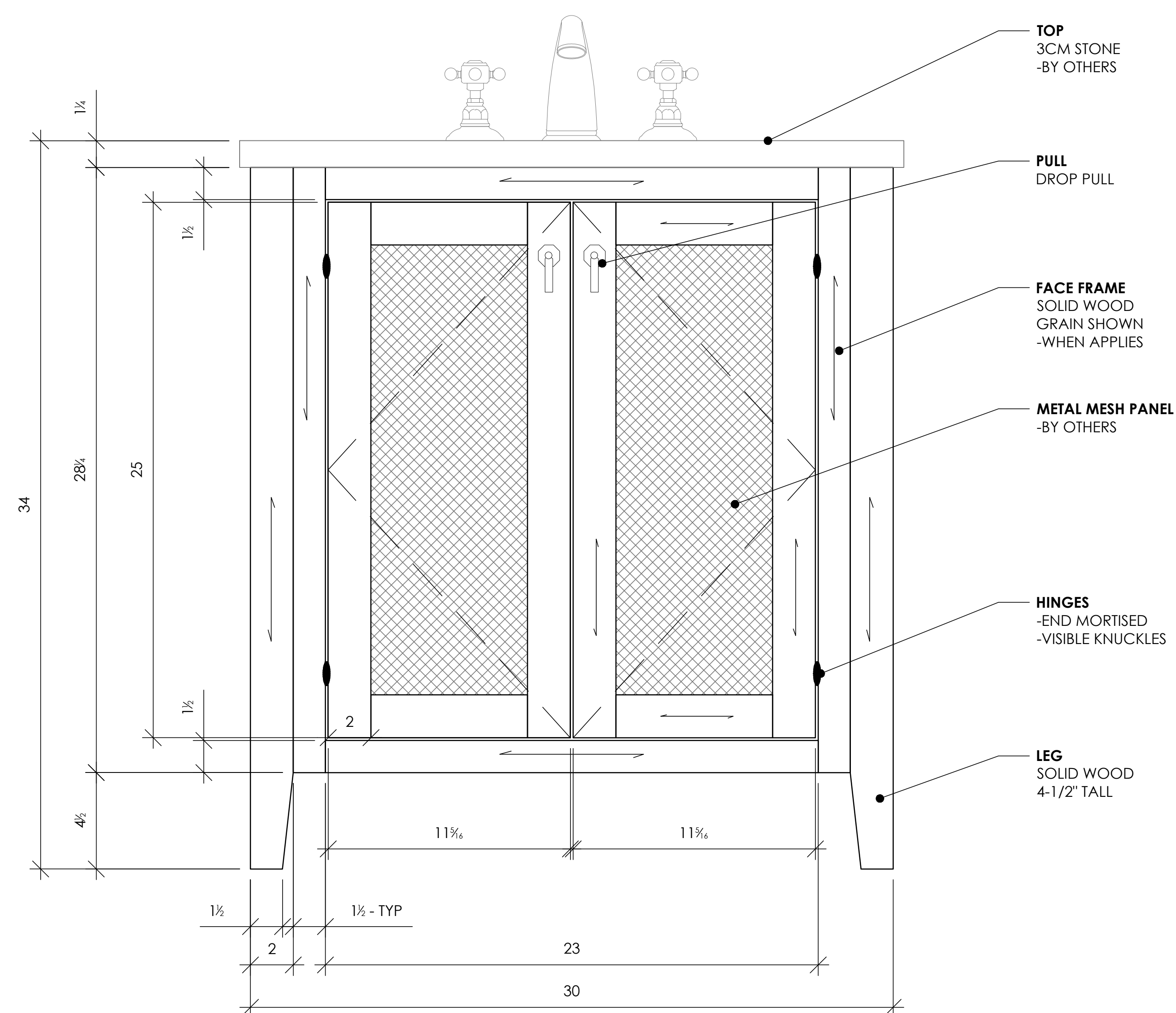
THE ANNA

30"
OVERVIEW

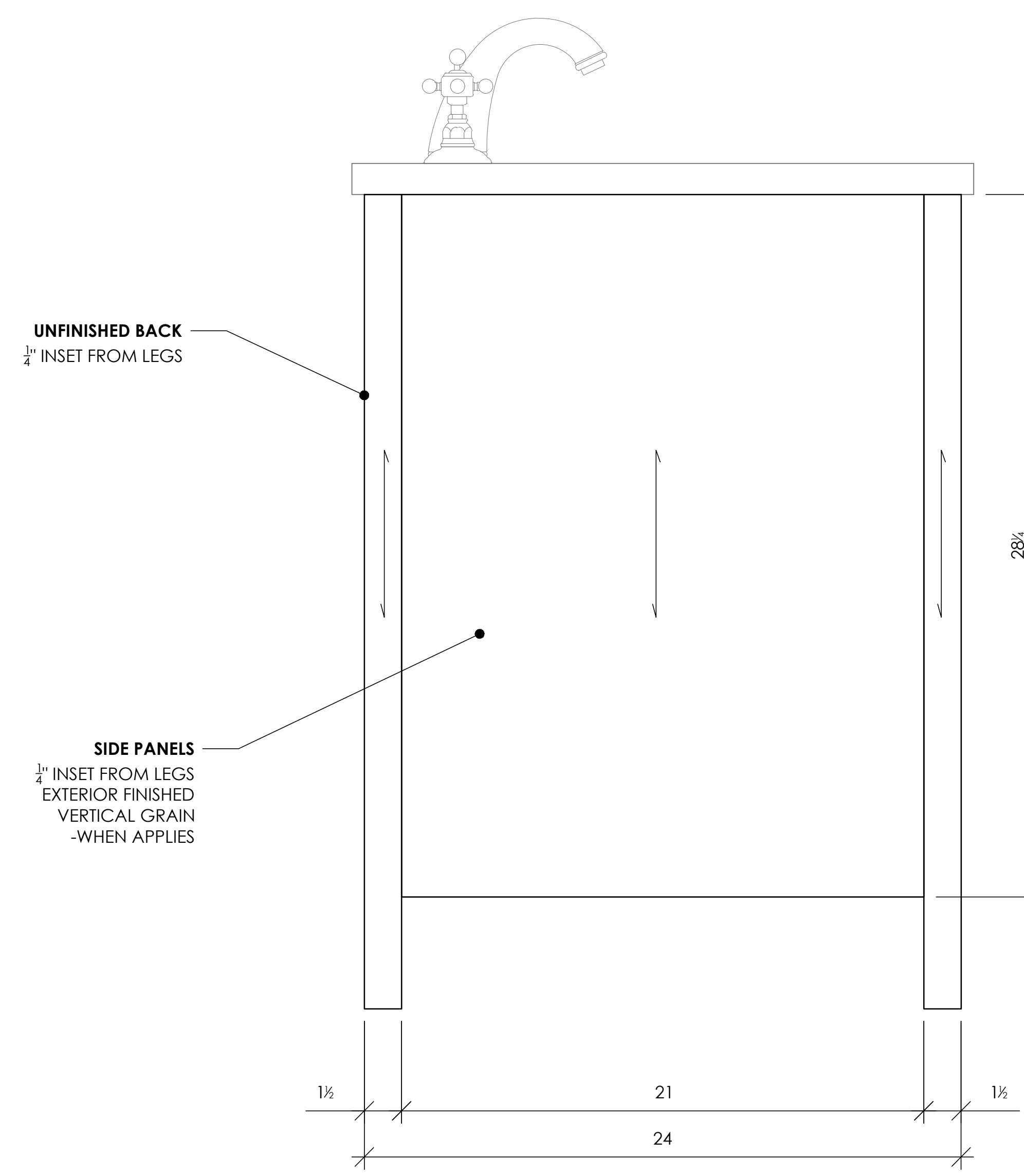
DATE: 11.09.23
DRAFTED BY: B.WILEY
CHECKED BY: J.GREEN

1 OF 3

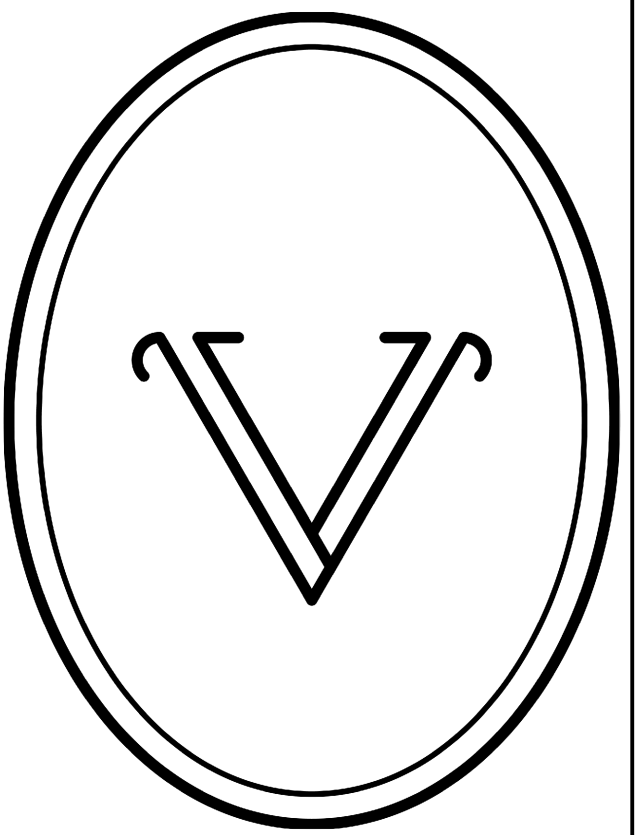
SCALE: AS NOTED



1 VANITY FRONT ELEVATION SCALE: 3" = 1"



2 VANITY SIDE ELEVATION SCALE: 3" = 1"



VANITY & CO.

26 CHURCH STREET
WELLESLEY, MA 02482

MATERIALS

3/4", 1" MOISTURE RESISTANT MDF
WHITE OAK OR PAINT GR MAPLE
1/2", 3/4" PREFINISHED MAPLE PLYWOOD
METAL MESH: KENT DESIGN #1215C
"ANTIQUE BRASS" FINISH
WOOD BLOCKING

HARDWARE

2 EA DROP PULLS: ARMAC MARTIN #CRWD/38
POLISHED UNLACQUERED BRASS,
PROVIDED BY OTHERS
4 EA HINGES: DELTANA OLIVE KNUCKLE HINGES,
2" x 1-1/2", 2 LEFT & 2 RIGHT, POLISHED
UNLACQUERED BRASS, PROVIDED BY OTHERS
2 EA STEM LEVELERS, HAFELE #637.05.308, BLACK
WITH 1/4" #20 T-NUTS

FINISH

PAINT FINISH: BEN MOORE - WHITE DOVE, SATIN
POLISHED UNLACQUERED BRASS
STONE: 3CM THICK - BY OTHERS

NO.	DESCRIPTION	DATE

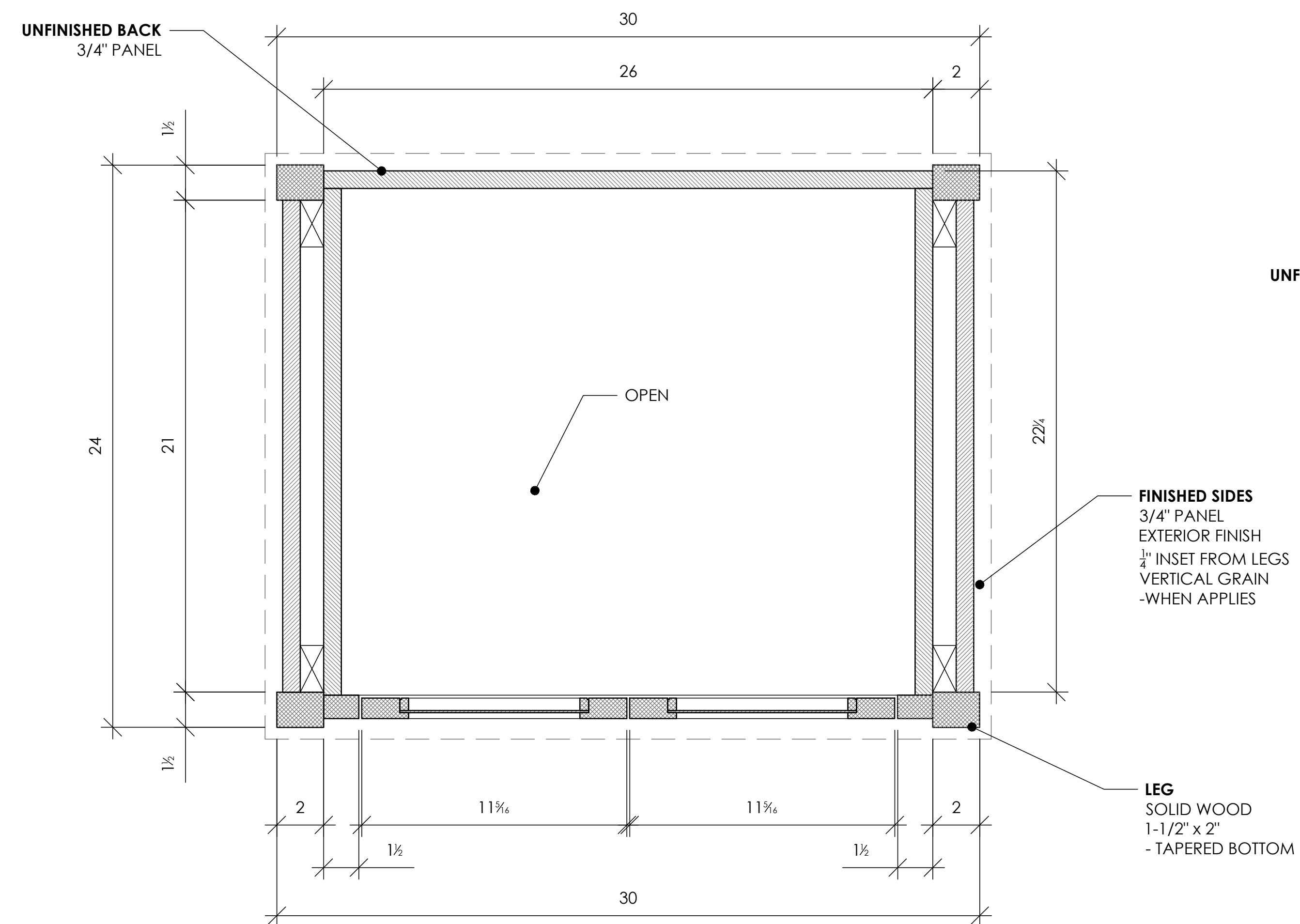
THE ANNA

30"
DETAILS

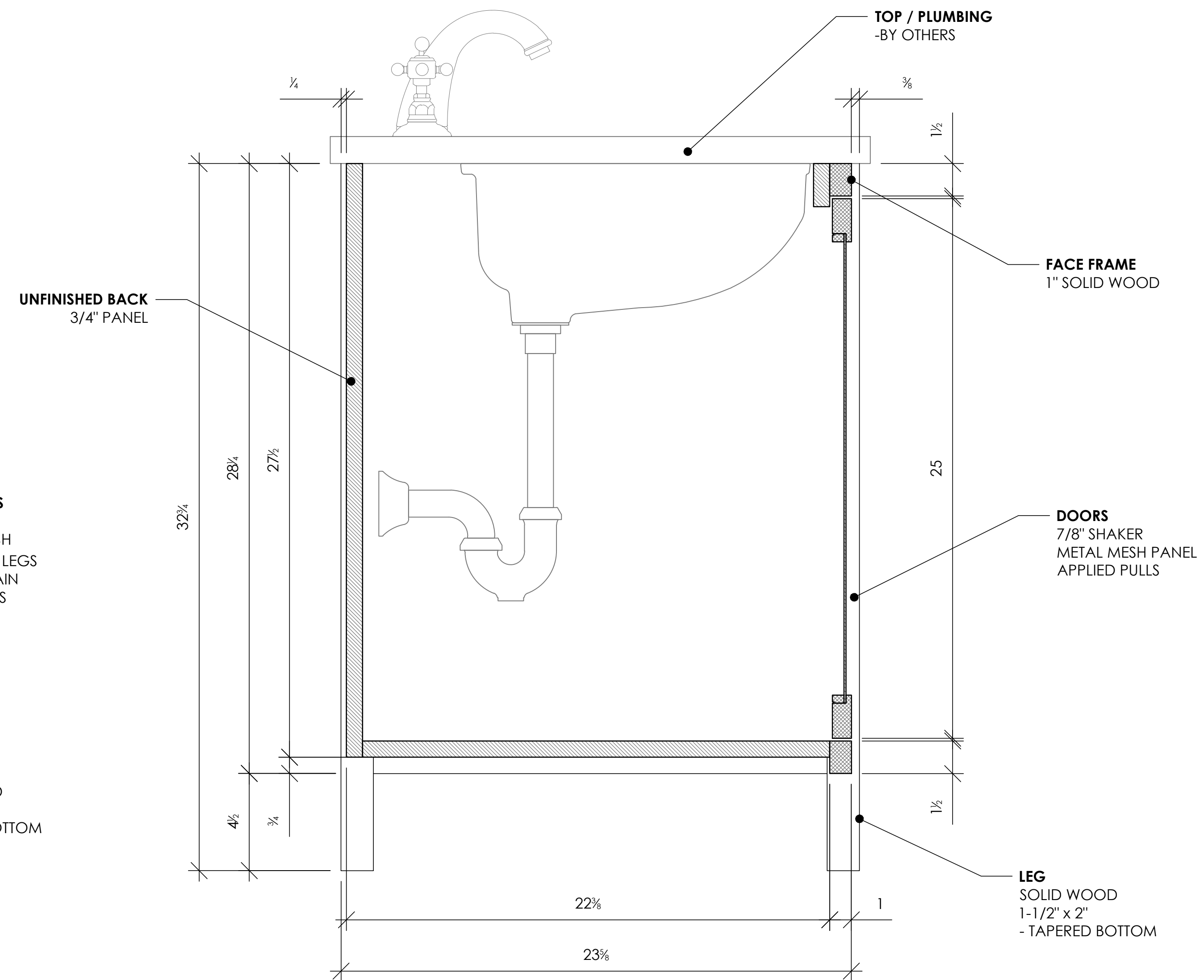
DATE: 11.09.23
DRAFTED BY: B.WILEY
CHECKED BY: J.GREEN

2 OF 3

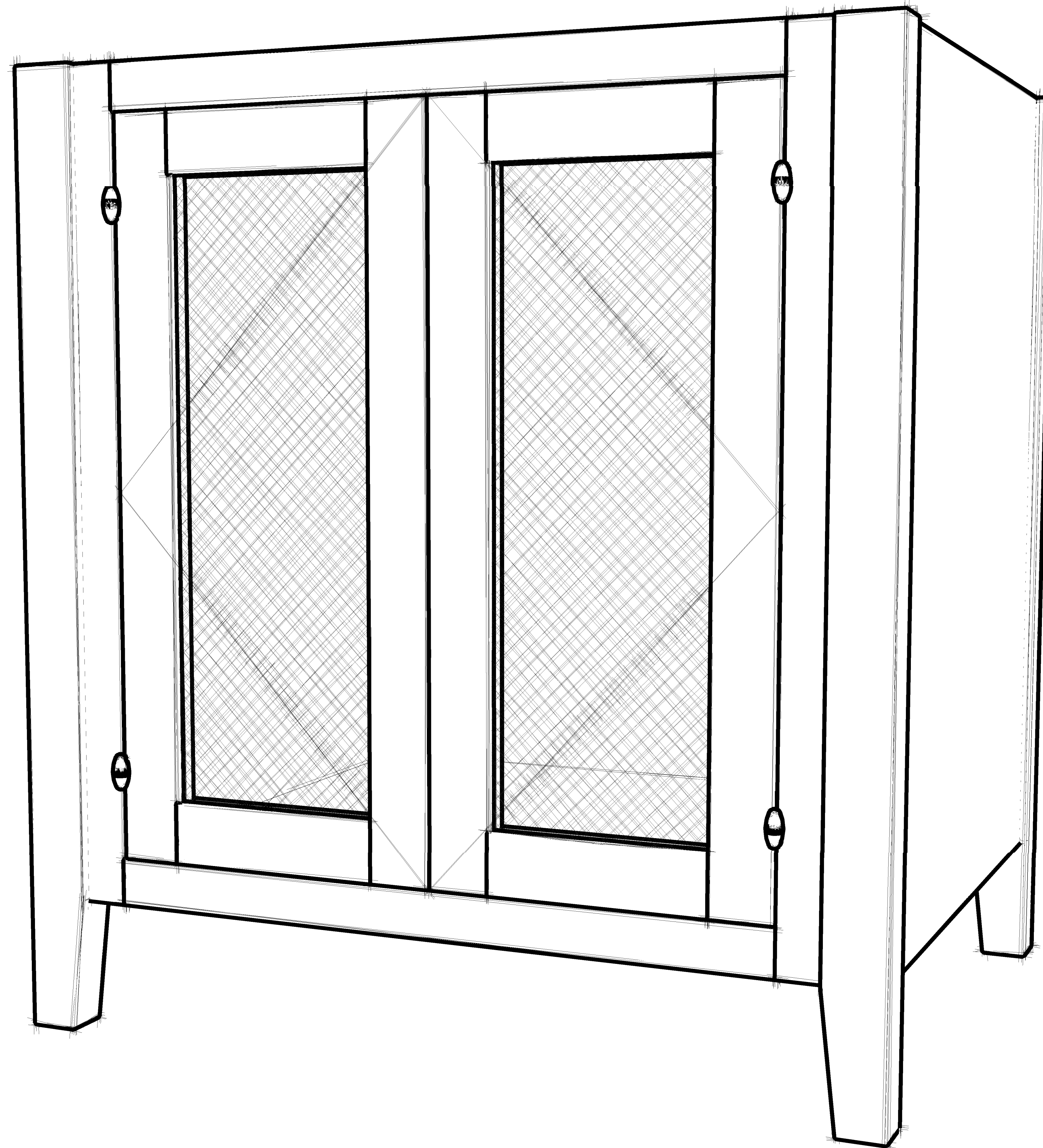
SCALE: AS NOTED



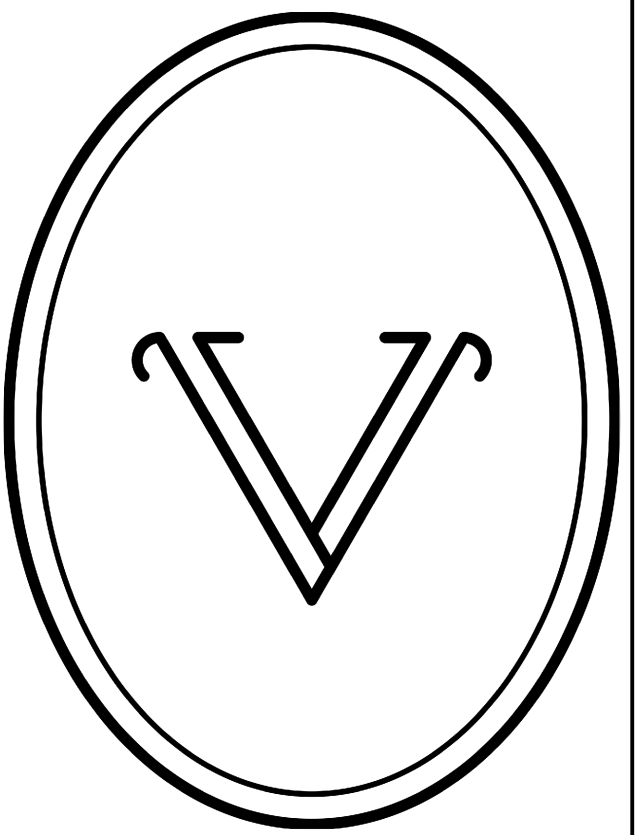
1 VANITY PLAN SCALE: 3" = 1"



2 VANITY SIDE SECTION SCALE: 3" = 1"



1 THE ANNA - 30"
ISOMETRIC SCALE: NTS



**VANITY
& CO.**

26 CHURCH STREET
WELLESLEY, MA 02482

MATERIALS

3/4", 1" MOISTURE RESISTANT MDF
WHITE OAK OR PAINT GR MAPLE
1/2", 3/4" PREFINISHED MAPLE PLYWOOD
METAL MESH: KENT DESIGN #1215C
"ANTIQUE BRASS" FINISH
WOOD BLOCKING

HARDWARE

2 EA DROP PULLS: ARMAC MARTIN #CRWD/38
POLISHED UNLACQUERED BRASS,
PROVIDED BY OTHERS
4 EA HINGES: DELTANA OLIVE KNUCKLE HINGES,
2" x 1-1/2", 2 LEFT & 2 RIGHT, POLISHED
UNLACQUERED BRASS, PROVIDED BY OTHERS
2 EA STEM LEVELERS, HAFELE #637.05.308, BLACK
WITH 1/4" #20 T-NUTS

FINISH

PAINT FINISH: BEN MOORE - WHITE DOVE, SATIN
POLISHED UNLACQUERED BRASS
STONE: 3CM THICK - BY OTHERS

NO.	DESCRIPTION	DATE

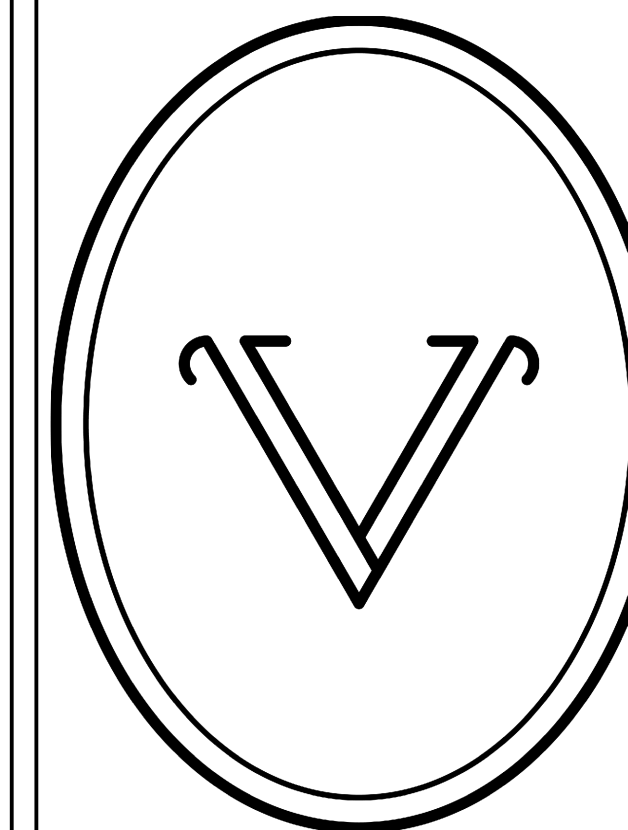
THE ANNA

30"
ISOMETRIC

DATE: 11.09.23
DRAFTED BY: B.WILEY
CHECKED BY: J.GREEN

3 OF 3

SCALE: AS NOTED



VANITY & CO.

26 CHURCH STREET
WELLESLEY, MA 02482

MATERIALS

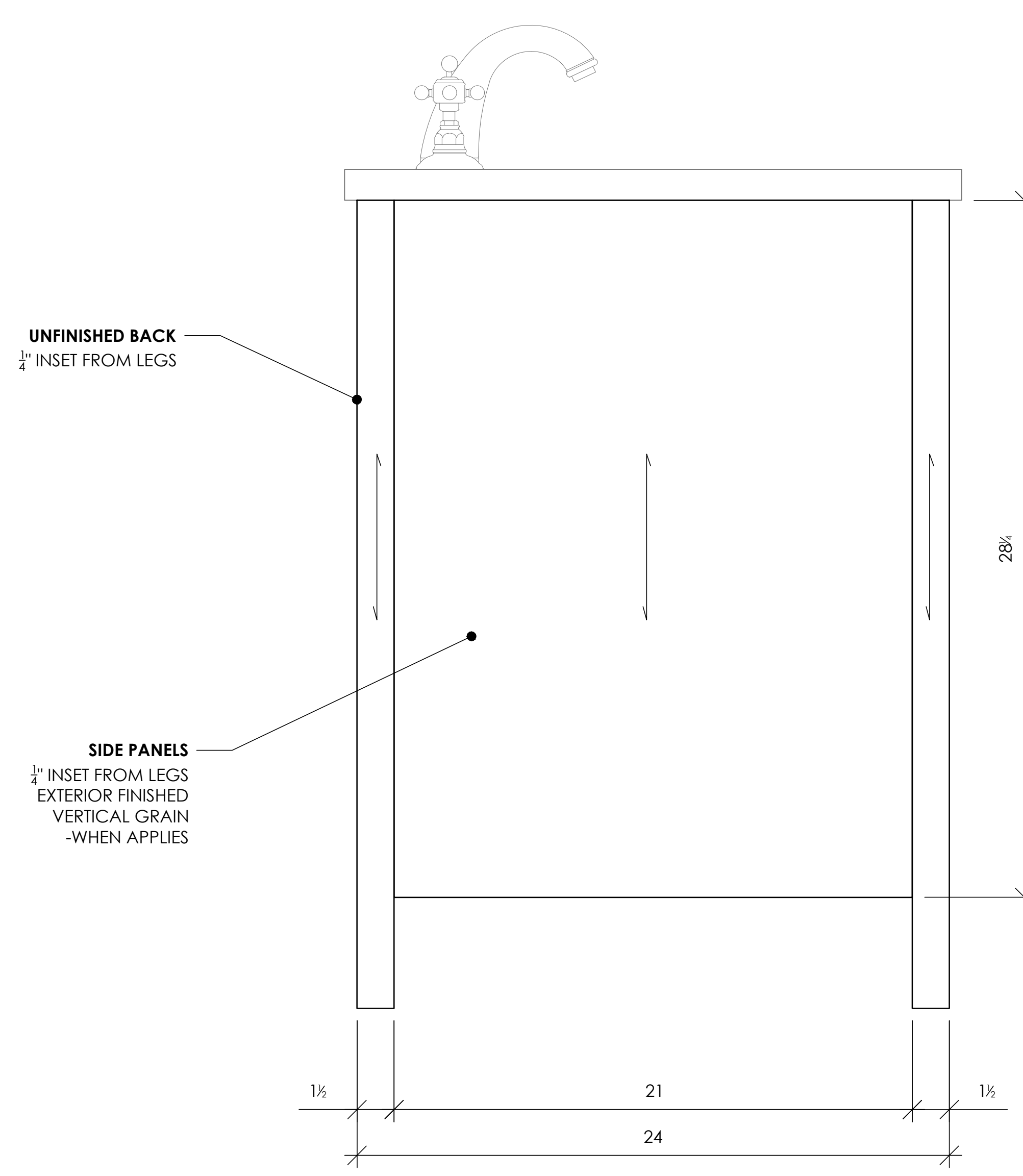
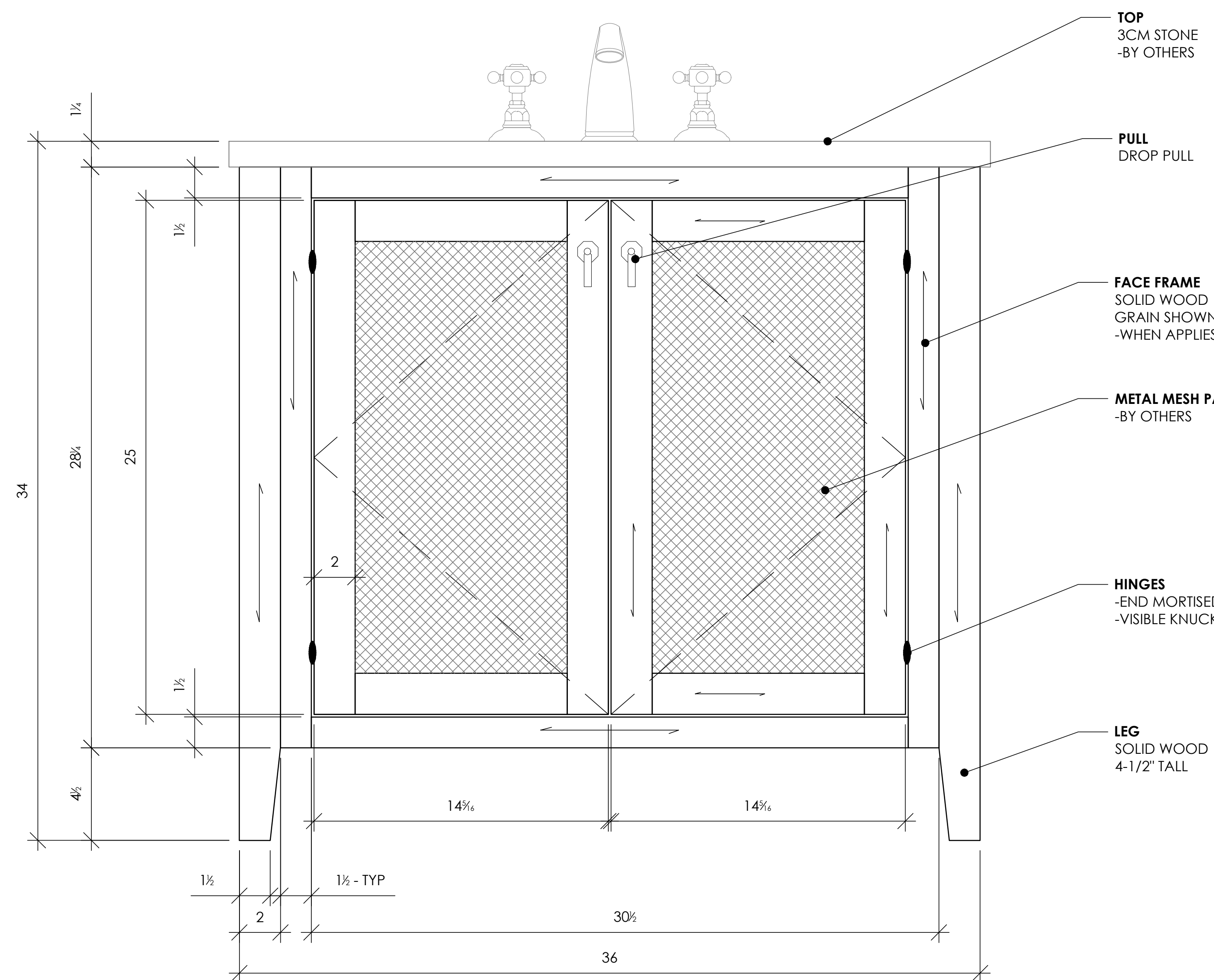
3/4", 1" MOISTURE RESISTANT MDF
WHITE OAK OR PAINT GR MAPLE
1/2", 3/4" PREFINISHED MAPLE PLYWOOD
METAL MESH: KENT DESIGN #1215C
"ANTIQUE BRASS" FINISH
WOOD BLOCKING

HARDWARE

2 EA DROP PULLS: ARMAC MARTIN #CRWD/38
POLISHED UNLACQUERED BRASS,
PROVIDED BY OTHERS
4 EA HINGES: DELTANA OLIVE KNUCKLE HINGES,
2" x 1-1/2", 2 LEFT & 2 RIGHT, POLISHED
UNLACQUERED BRASS, PROVIDED BY OTHERS
2 EA STEM LEVELERS, HAFELE #637.05.308, BLACK
WITH 1/4" #20 T-NUTS

FINISH

PAINT FINISH: BEN MOORE - WHITE DOVE, SATIN
POLISHED UNLACQUERED BRASS
STONE: 3CM THICK - BY OTHERS



NO.	DESCRIPTION	DATE

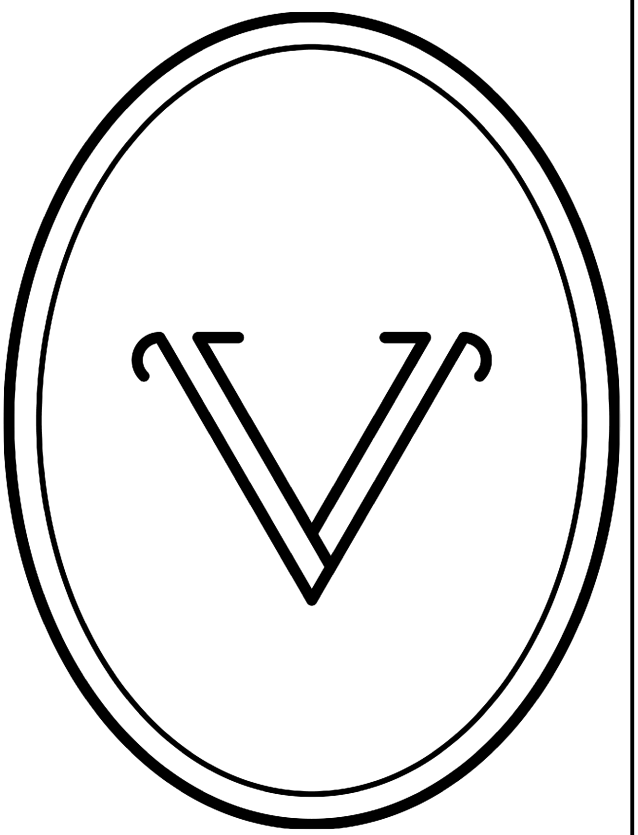
THE ANNA

36"
OVERVIEW

DATE: 11.09.23
DRAFTED BY: B.WILEY
CHECKED BY: J.GREEN

1 OF 3

SCALE: AS NOTED



VANITY & CO.

26 CHURCH STREET
WELLESLEY, MA 02482

MATERIALS

3/4", 1" MOISTURE RESISTANT MDF
WHITE OAK OR PAINT GR MAPLE
1/2", 3/4" PREFINISHED MAPLE PLYWOOD
METAL MESH: KENT DESIGN #1215C
"ANTIQUE BRASS" FINISH
WOOD BLOCKING

HARDWARE

2 EA DROP PULLS: ARMAC MARTIN #CRWD/38
POLISHED UNLACQUERED BRASS,
PROVIDED BY OTHERS
4 EA HINGES: DELTANA OLIVE KNUCKLE HINGES,
2" x 1-1/2", 2 LEFT & 2 RIGHT, POLISHED
UNLACQUERED BRASS, PROVIDED BY OTHERS
2 EA STEM LEVELERS, HAFELE #637.05.308, BLACK
WITH 1/4" #20 T-NUTS

FINISH

PAINT FINISH: BEN MOORE - WHITE DOVE, SATIN
POLISHED UNLACQUERED BRASS
STONE: 3CM THICK - BY OTHERS

NO.	DESCRIPTION	DATE

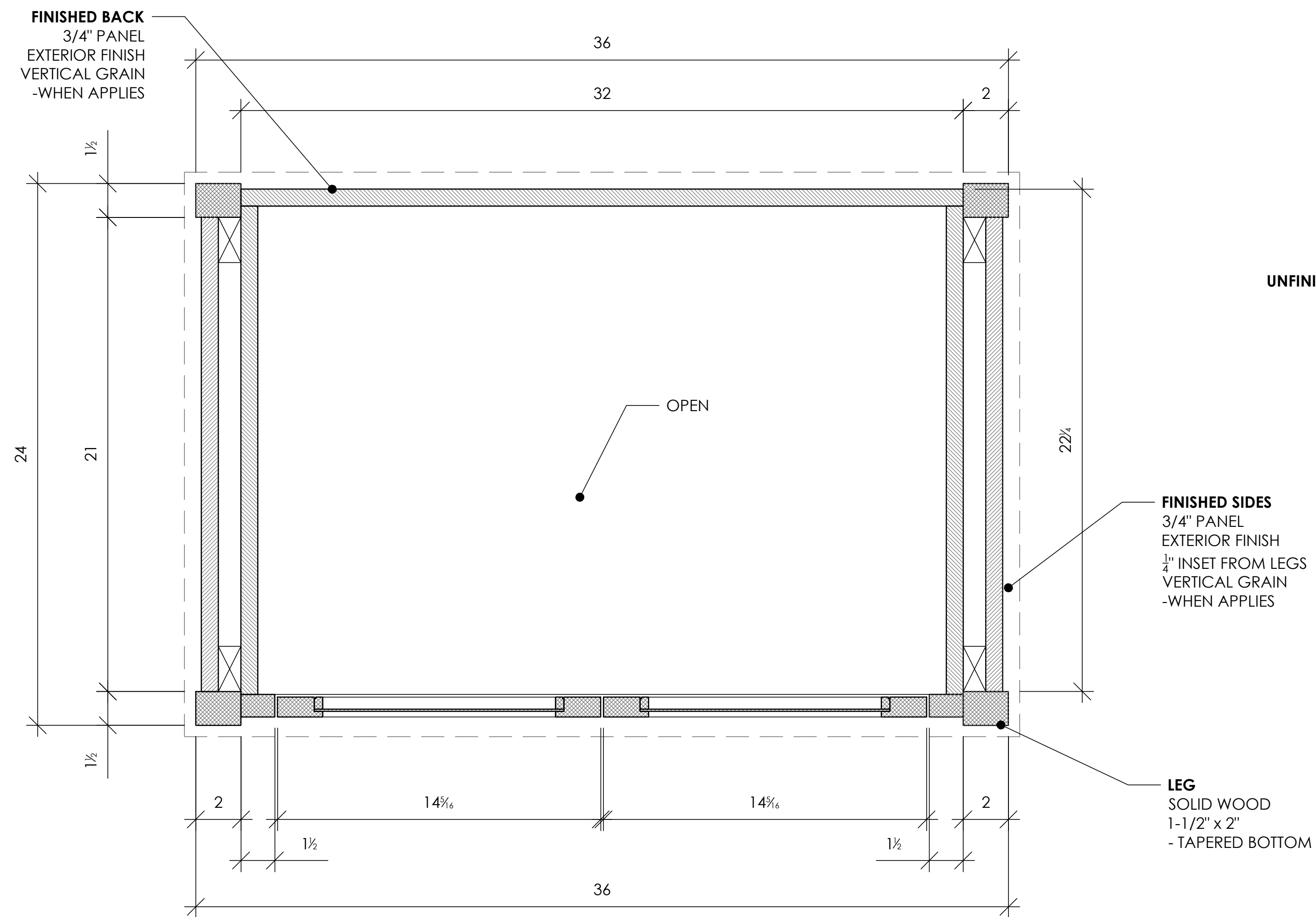
THE ANNA

36"
DETAILS

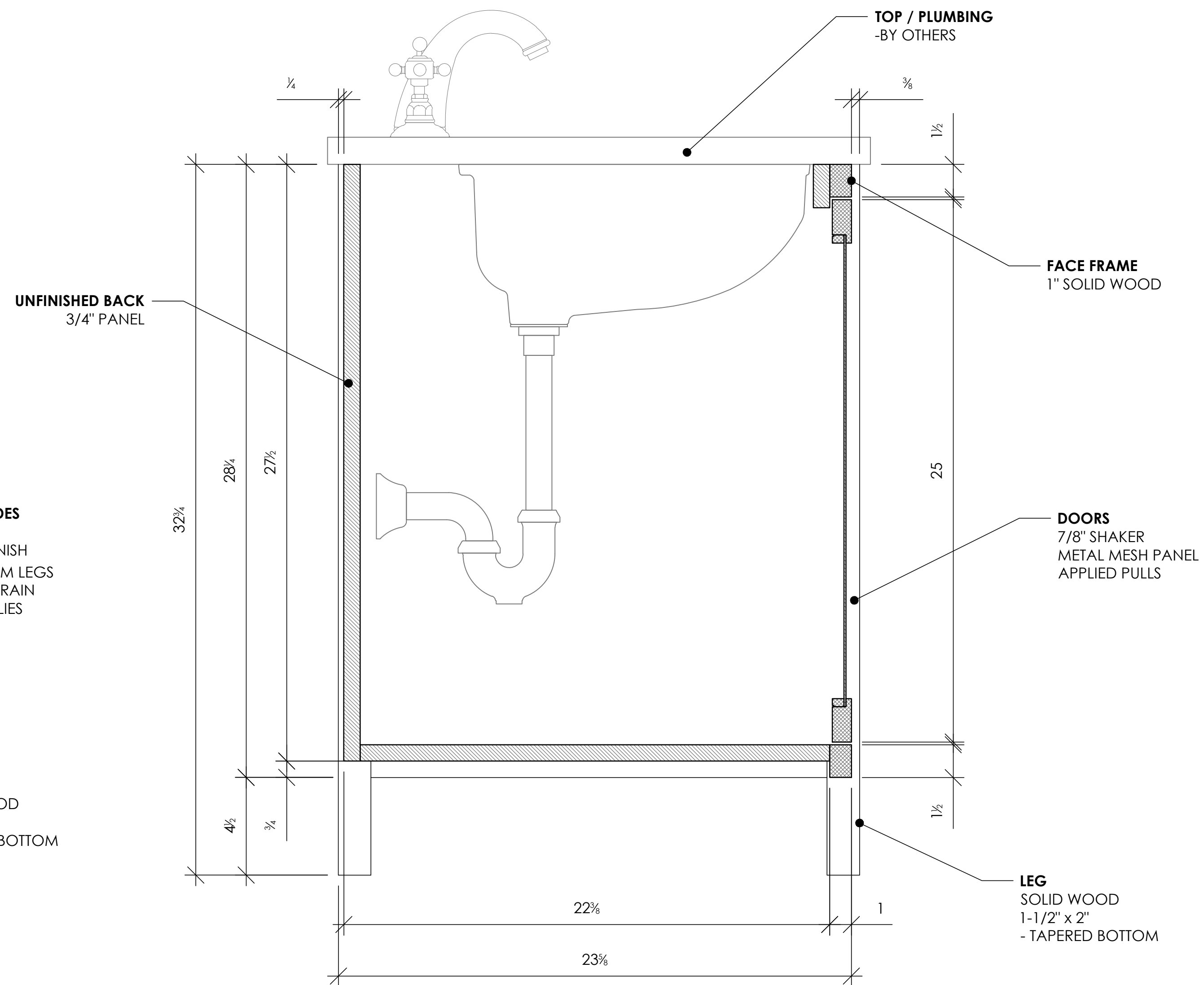
DATE: 11.09.23
DRAFTED BY: B.WILEY
CHECKED BY: J.GREEN

2 OF 3

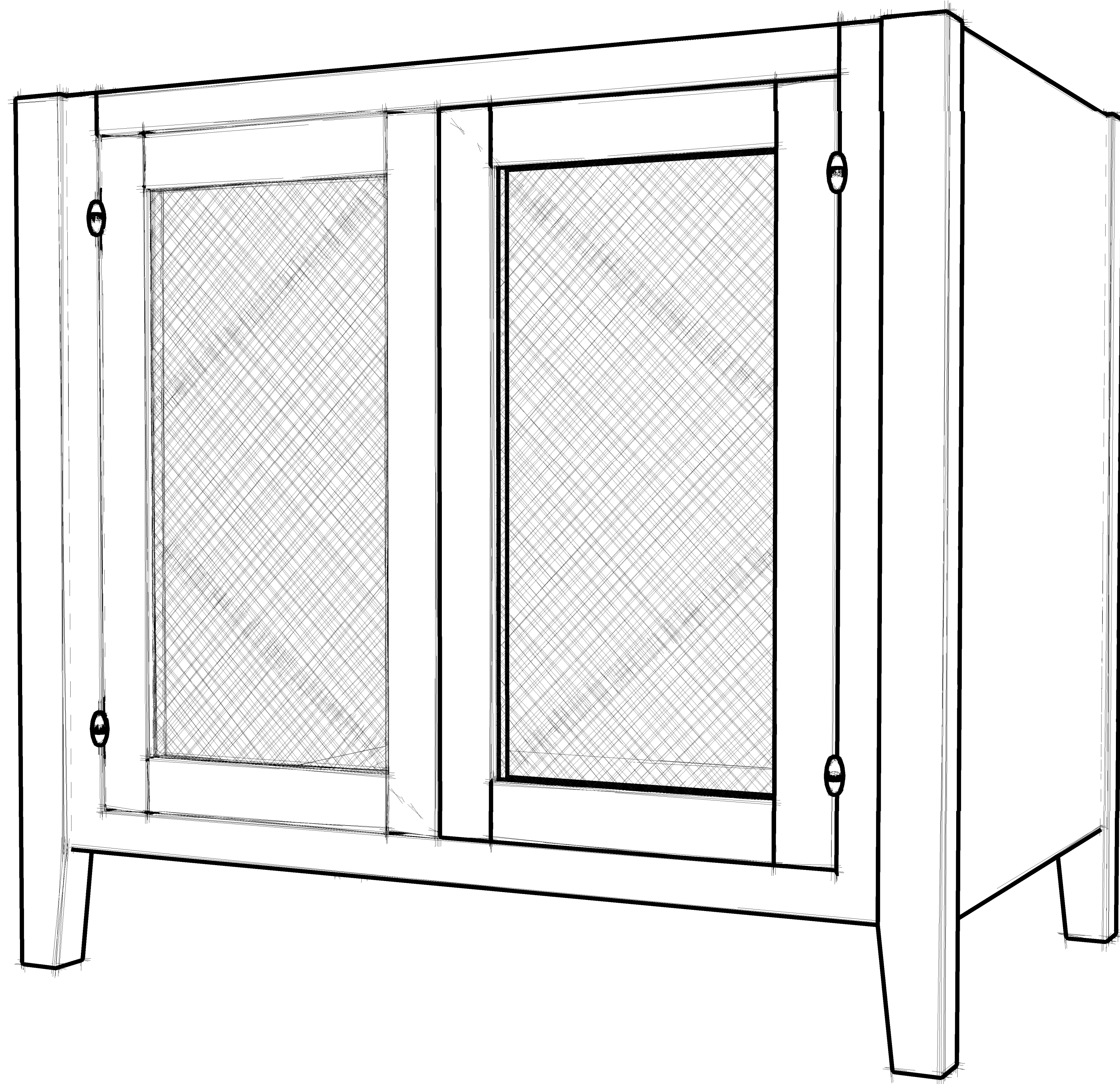
SCALE: AS NOTED



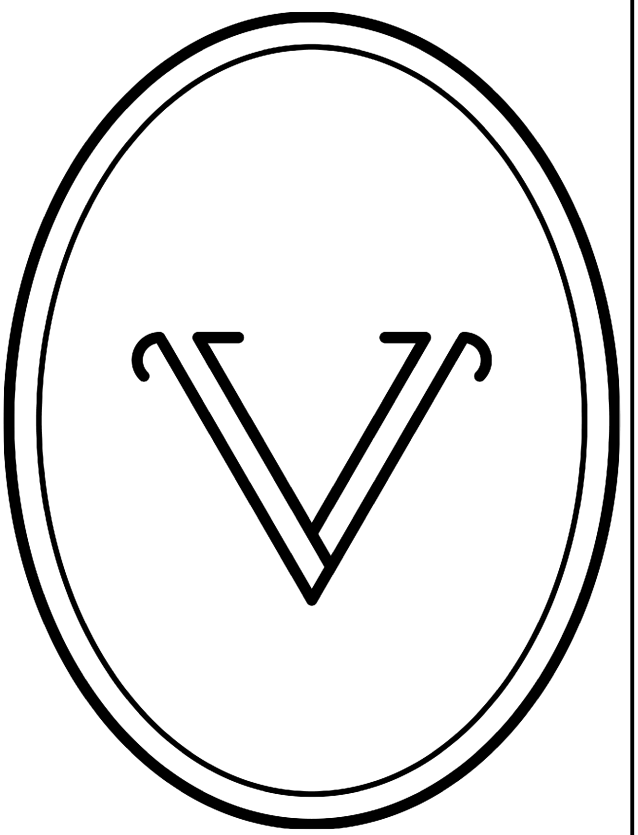
1 VANITY PLAN SCALE: 3" = 1"



2 VANITY SIDE SECTION SCALE: 3" = 1"



1 THE ANNA - 36"
ISOMETRIC SCALE: NTS



**VANITY
& CO.**

26 CHURCH STREET
WELLESLEY, MA 02482

MATERIALS

- 3/4", 1" MOISTURE RESISTANT MDF
- WHITE OAK OR PAINT GR MAPLE
- 1/2", 3/4" PREFINISHED MAPLE PLYWOOD
- METAL MESH: KENT DESIGN #1215C
"ANTIQUE BRASS" FINISH
- WOOD BLOCKING

HARDWARE

- 2 EA DROP PULLS: ARMAC MARTIN #CRWD/38
POLISHED UNLACQUERED BRASS,
PROVIDED BY OTHERS
- 4 EA HINGES: DELTANA OLIVE KNUCKLE HINGES,
2" x 1-1/2", 2 LEFT & 2 RIGHT, POLISHED
UNLACQUERED BRASS, PROVIDED BY OTHERS
- 2 EA STEM LEVELERS, HAFELE #637.05.308, BLACK
WITH 1/4" #20 T-NUTS

FINISH

- PAINT FINISH: BEN MOORE - WHITE DOVE, SATIN
- POLISHED UNLACQUERED BRASS
- STONE: 3CM THICK - BY OTHERS

NO.	DESCRIPTION	DATE

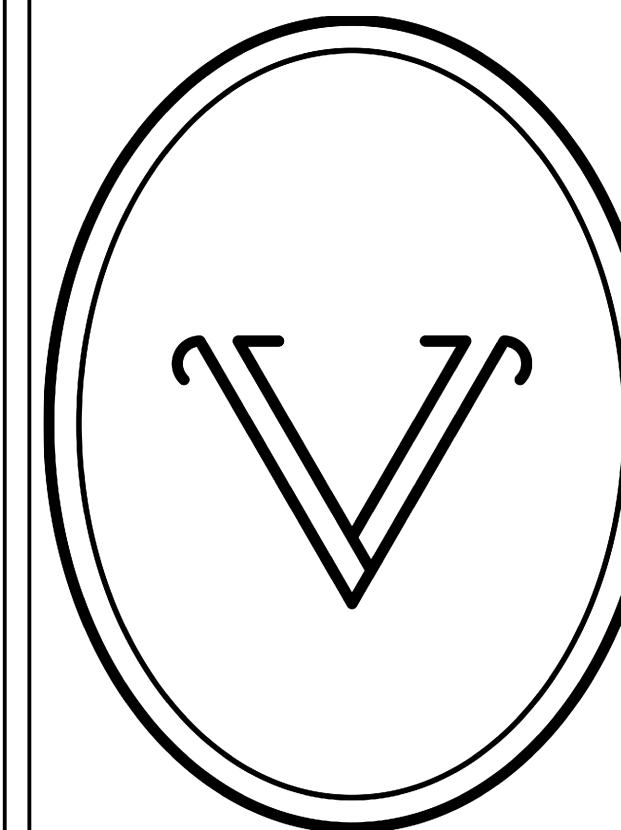
THE ANNA

36"
ISOMETRIC

DATE: 11.09.23
DRAFTED BY: B.WILEY
CHECKED BY: J.GREEN

3 OF 3

SCALE: AS NOTED



VANITY & CO.

26 CHURCH STREET
WELLESLEY, MA 02482

MATERIALS

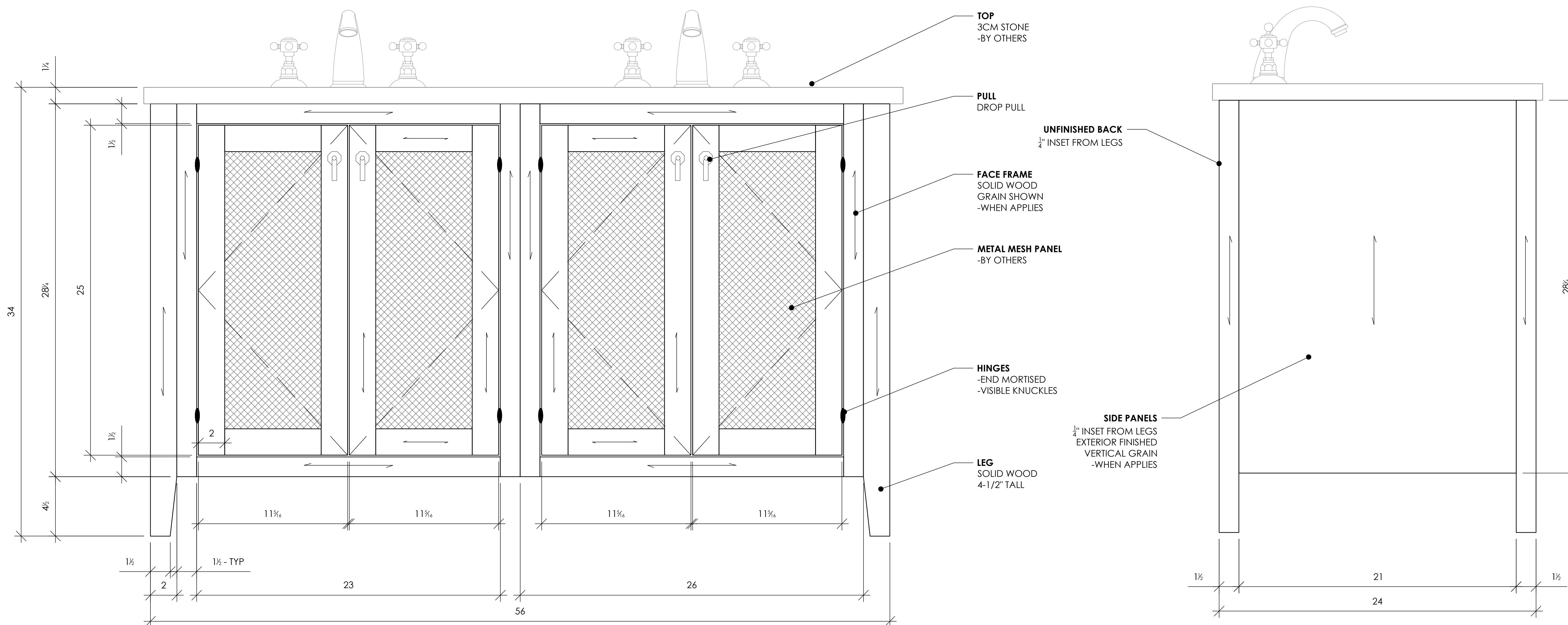
3/4", 1" MOISTURE RESISTANT MDF
WHITE OAK OR PAINT GR MAPLE
1/2", 3/4" PREFINISHED MAPLE PLYWOOD
METAL MESH: KENT DESIGN # 1215C
"ANTIQUE BRASS" FINISH
WOOD BLOCKING

HARDWARE

4 EA DROP PULLS: ARMAC MARTIN #CRWD/38
POLISHED UNLACQUERED BRASS,
PROVIDED BY OTHERS
8 EA HINGES: DELTANA OLIVE KNUCKLE HINGES,
2" x 1-1/2", 2 LEFT & 2 RIGHT, POLISHED
UNLACQUERED BRASS, PROVIDED BY OTHERS
4 EA STEM LEVELERS, HAFELE #637.05.308, BLACK
WITH 1/4" #20 T-NUTS

FINISH

PAINT FINISH: BEN MOORE - WHITE DOVE, SATIN
POLISHED UNLACQUERED BRASS
STONE: 3CM THICK - BY OTHERS



NO.	DESCRIPTION	DATE

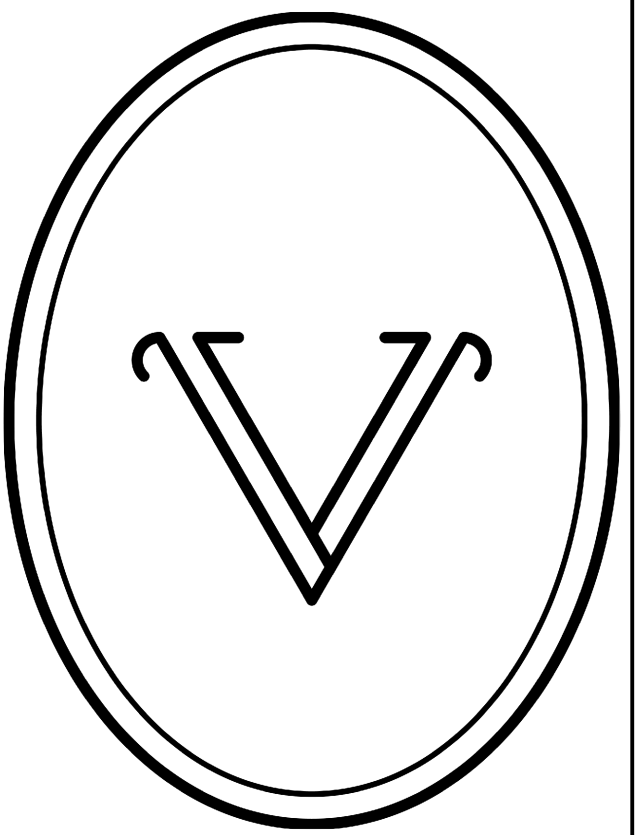
THE ANNA

60"
OVERVIEW

DATE: 08.01.24
DRAFTED BY: B.WILEY
CHECKED BY: J.GREEN

1 OF 3

SCALE: AS NOTED



VANITY & CO.

26 CHURCH STREET
WELLESLEY, MA 02482

MATERIALS

3/4", 1" MOISTURE RESISTANT MDF
WHITE OAK OR PAINT GR MAPLE
1/2", 3/4" PREFINISHED MAPLE PLYWOOD
METAL MESH: KENT DESIGN #1215C
"ANTIQUE BRASS" FINISH
WOOD BLOCKING

HARDWARE

4 EA DROP PULLS: ARMAC MARTIN #CRWD/38
POLISHED UNLACQUERED BRASS,
PROVIDED BY OTHERS
8 EA HINGES: DELTANA OLIVE KNUCKLE HINGES,
2" x 1-1/2", 2 LEFT & 2 RIGHT, POLISHED
UNLACQUERED BRASS, PROVIDED BY OTHERS
4 EA STEM LEVELERS, HAFELE #637.05.308, BLACK
WITH 1/4" #20 T-NUTS

FINISH

PAINT FINISH: BEN MOORE - WHITE DOVE, SATIN
POLISHED UNLACQUERED BRASS
STONE: 3CM THICK - BY OTHERS

NO.	DESCRIPTION	DATE

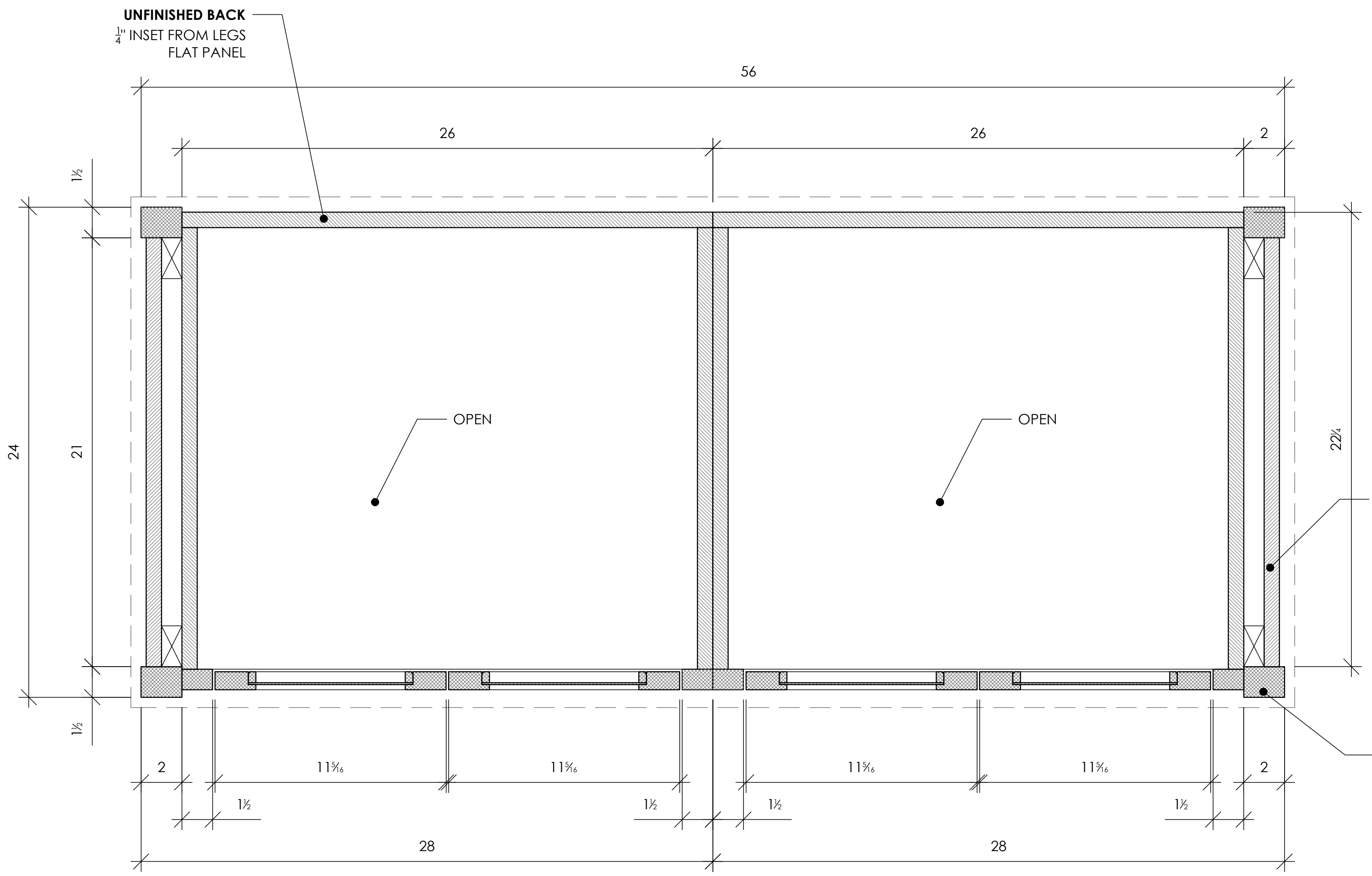
THE ANNA

60"
DETAILS

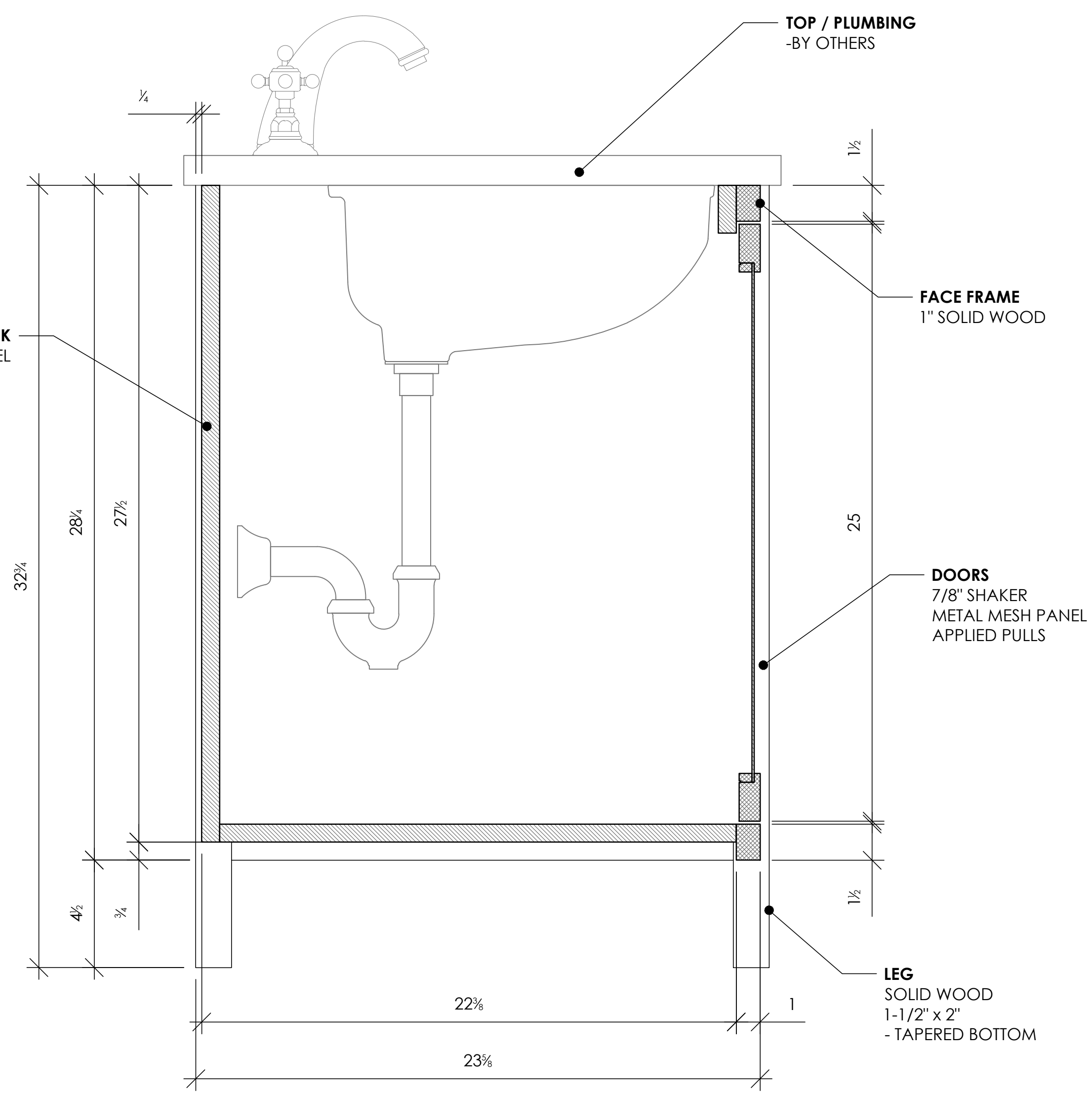
DATE: 08.01.24
DRAFTED BY: B.WILEY
CHECKED BY: J.GREEN

2 OF 3

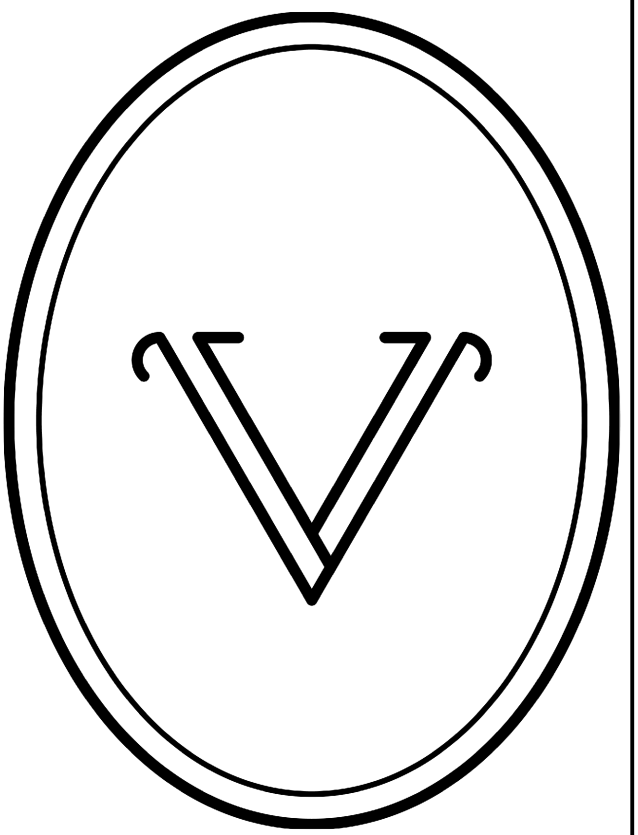
SCALE: AS NOTED



1 VANITY PLAN SCALE: 3" = 1"



2 VANITY SIDE SECTION SCALE: 3" = 1"



VANITY & CO.

26 CHURCH STREET
WELLESLEY, MA 02482

MATERIALS

- 3/4", 1" MOISTURE RESISTANT MDF
- WHITE OAK OR PAINT GR MAPLE
- 1/2", 3/4" PREFINISHED MAPLE PLYWOOD
- METAL MESH: KENT DESIGN #1215C
"ANTIQUE BRASS" FINISH
- WOOD BLOCKING

HARDWARE

- 4 EA DROP PULLS: ARMAC MARTIN #CRWD/38
POLISHED UNLACQUERED BRASS,
PROVIDED BY OTHERS
- 8 EA HINGES: DELTANA OLIVE KNUCKLE HINGES,
2" x 1-1/2", 2 LEFT & 2 RIGHT, POLISHED
UNLACQUERED BRASS, PROVIDED BY OTHERS
- 4 EA STEM LEVELERS, HAFELE #637.05.308, BLACK
WITH 1/4" #20 T-NUTS

FINISH

- PAINT FINISH: BEN MOORE - WHITE DOVE, SATIN
- POLISHED UNLACQUERED BRASS
- STONE: 3CM THICK - BY OTHERS

NO.	DESCRIPTION	DATE

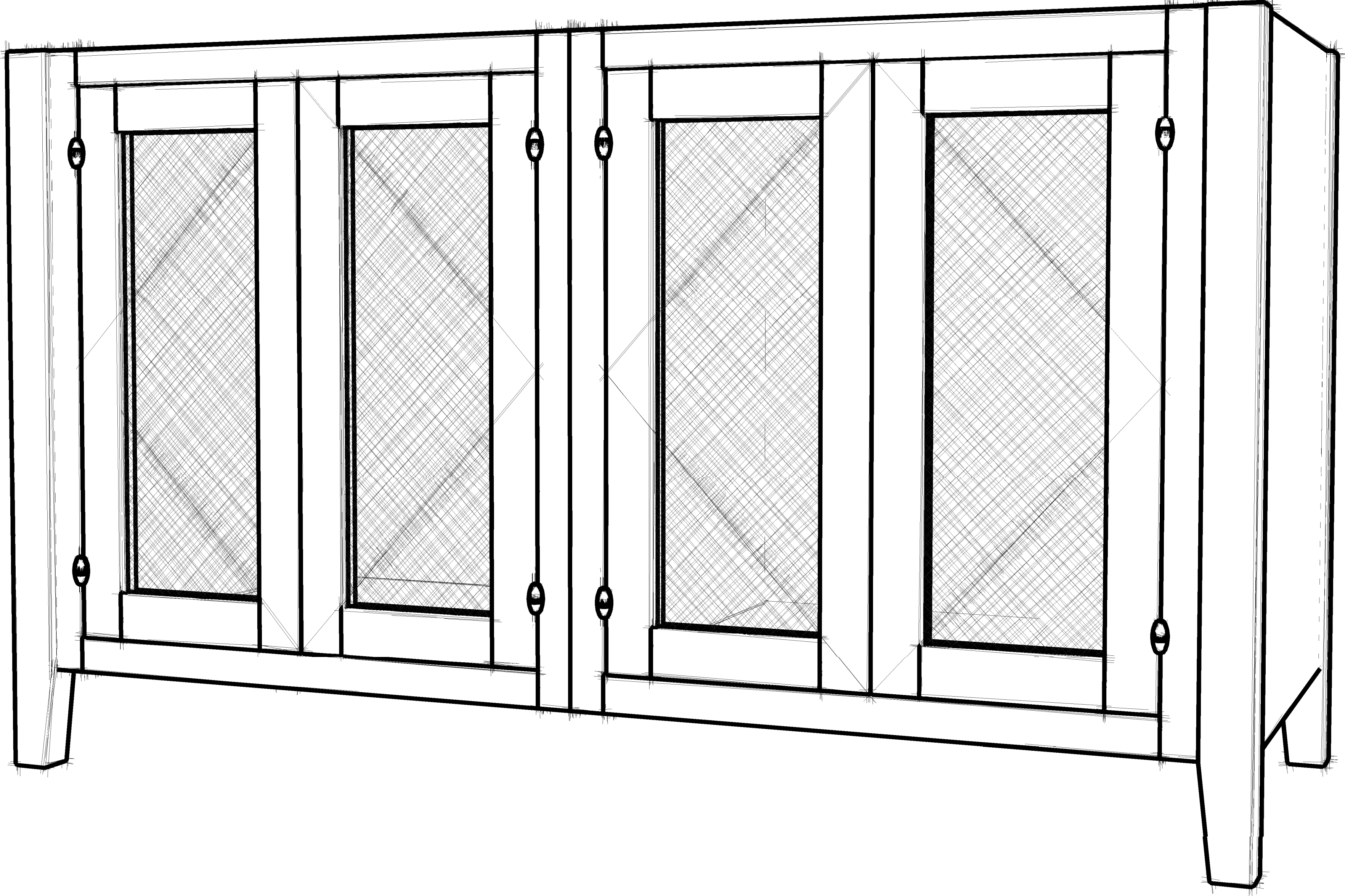
THE ANNA

60"
ISOMETRIC

DATE: 08.01.24
 DRAFTED BY: B.WILEY
 CHECKED BY: J.GREEN

3 OF 3

SCALE: AS NOTED



1 THE ANNA - 60"
ISOMETRIC SCALE: NTS