

**VANITY & CO.**

26 CHURCH STREET  
WELLESLEY, MA 02482

**MATERIALS**

3/4", 1" MOISTURE RESISTANT MDF  
WHITE OAK OR PAINT GR MAPLE  
1/2", 3/4" PREFINISHED MAPLE PLYWOOD  
WOOD BLOCKING

**HARDWARE**

4 EA HINGES: BLUM EURO HINGES - SOFT CLOSE  
2 EA KNOBS: ARMAC MARTIN #ABDK/32  
POLISHED UNLACQUERED BRASS,  
PROVIDED BY OTHERS  
1 EA TOWEL BAR: FOG LINEN IAB305-B, 19",  
BRASS - PROVIDED BY OTHERS  
2 EA STEM LEVELERS, HAFELE #637.05.308, BLACK  
WITH 1/4" #20 T-NUTS

**FINISH**

PAINT FINISH: BEN MOORE - WHITE DOVE, SATIN  
POLISHED UNLACQUERED BRASS  
STONE: 3CM THICK - BY OTHERS

| NO. | DESCRIPTION | DATE |
|-----|-------------|------|
|     |             |      |
|     |             |      |
|     |             |      |
|     |             |      |
|     |             |      |
|     |             |      |
|     |             |      |
|     |             |      |
|     |             |      |
|     |             |      |

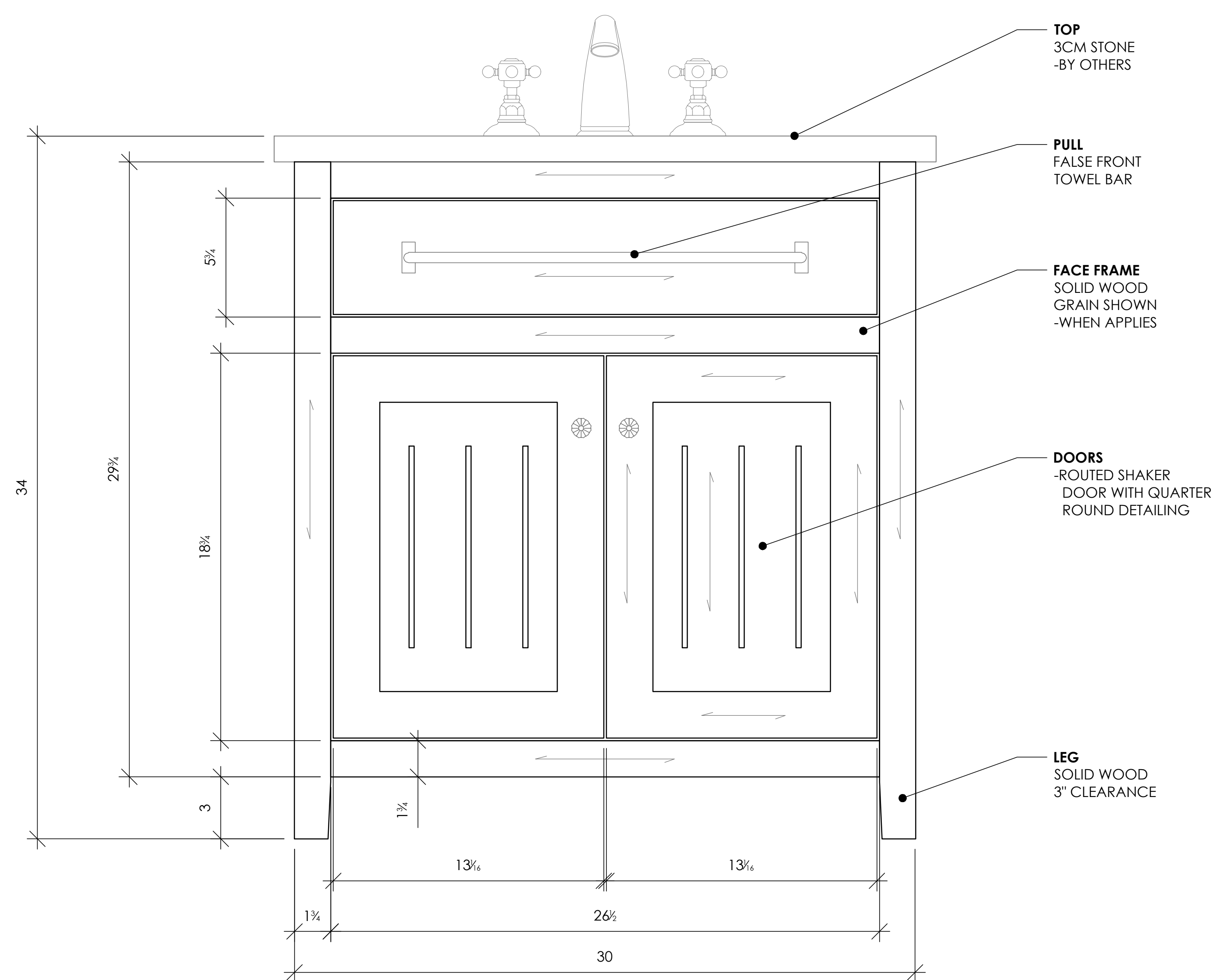
**THE ELLIE**

30"  
OVERVIEW

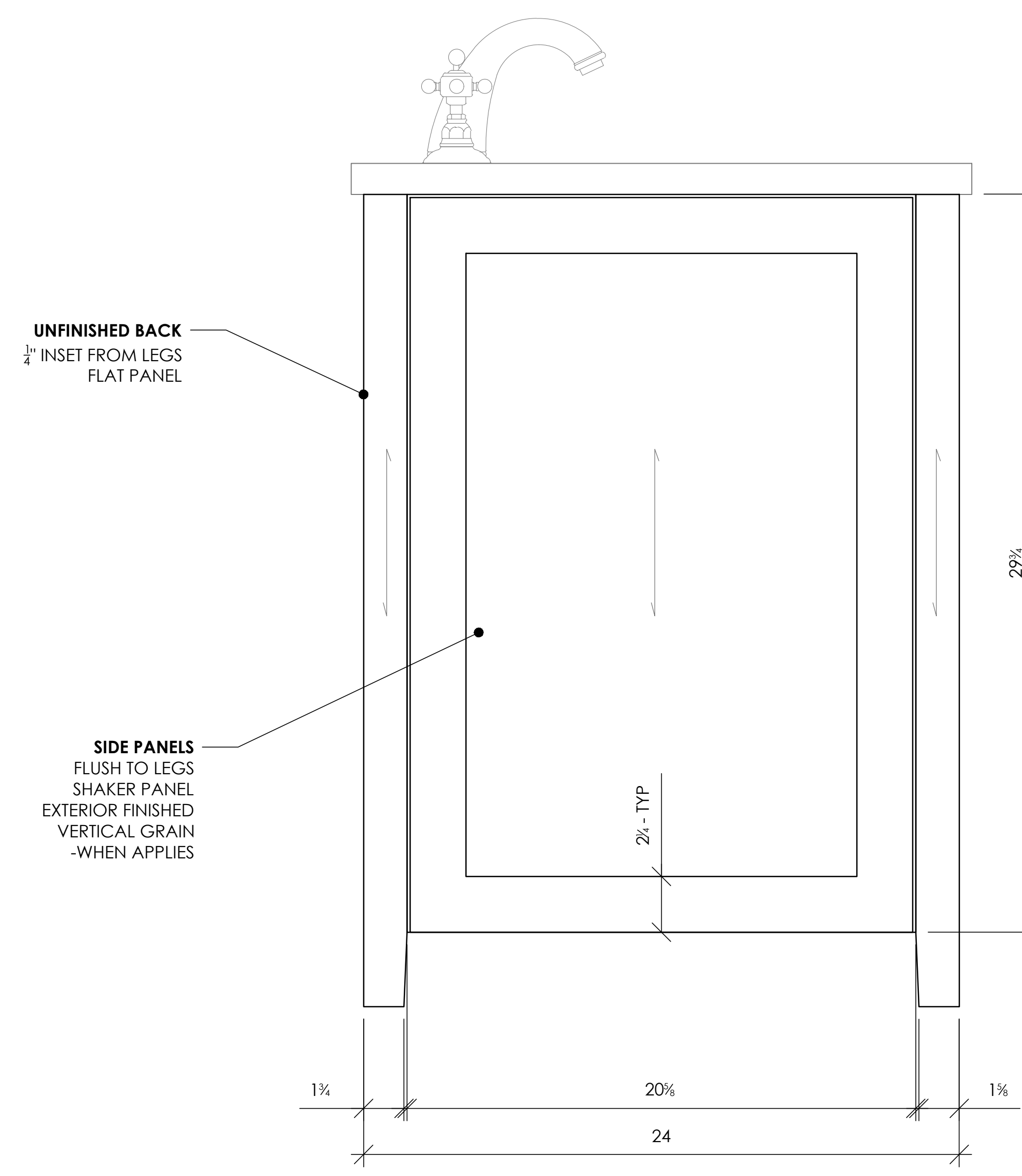
DATE: 11.09.23  
DRAFTED BY: B.WILEY  
CHECKED BY: J.GREEN

1 OF 3

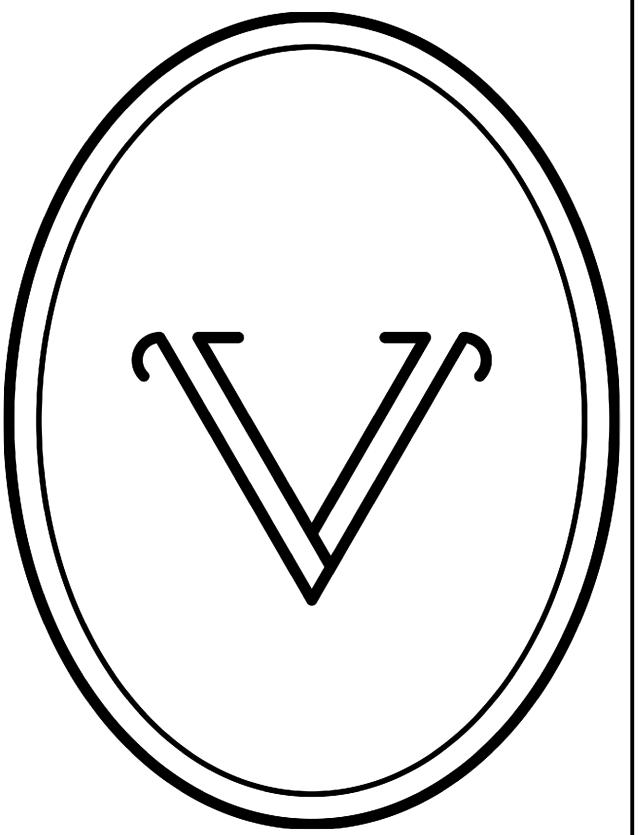
SCALE: AS NOTED



**1** VANITY  
FRONT ELEVATION SCALE: 3" = 1"



**2** VANITY  
SIDE ELEVATION SCALE: 3" = 1"



# VANITY & CO.

26 CHURCH STREET  
WELLESLEY, MA 02482

## MATERIALS

3/4", 1" MOISTURE RESISTANT MDF  
WHITE OAK OR PAINT GR MAPLE  
1/2", 3/4" PREFINISHED MAPLE PLYWOOD  
WOOD BLOCKING

## HARDWARE

4 EA. HINGES: BLUM EURO HINGES - SOFT CLOSE  
2 EA. KNOBS: ARMAC MARTIN #ABDK/32  
POLISHED UNLACQUERED BRASS,  
PROVIDED BY OTHERS  
1 EA. TOWEL BAR: FOG LINEN IAB305-B, 19",  
BRASS - PROVIDED BY OTHERS  
2 EA. STEM LEVELERS, HAFELE #637.05.308, BLACK  
WITH 1/4" #20 T-NUTS

## FINISH

PAINT FINISH: BEN MOORE - WHITE DOVE, SATIN  
POLISHED UNLACQUERED BRASS  
STONE: 3CM THICK - BY OTHERS

| NO. | DESCRIPTION | DATE |
|-----|-------------|------|
|     |             |      |
|     |             |      |
|     |             |      |
|     |             |      |
|     |             |      |
|     |             |      |
|     |             |      |
|     |             |      |
|     |             |      |
|     |             |      |

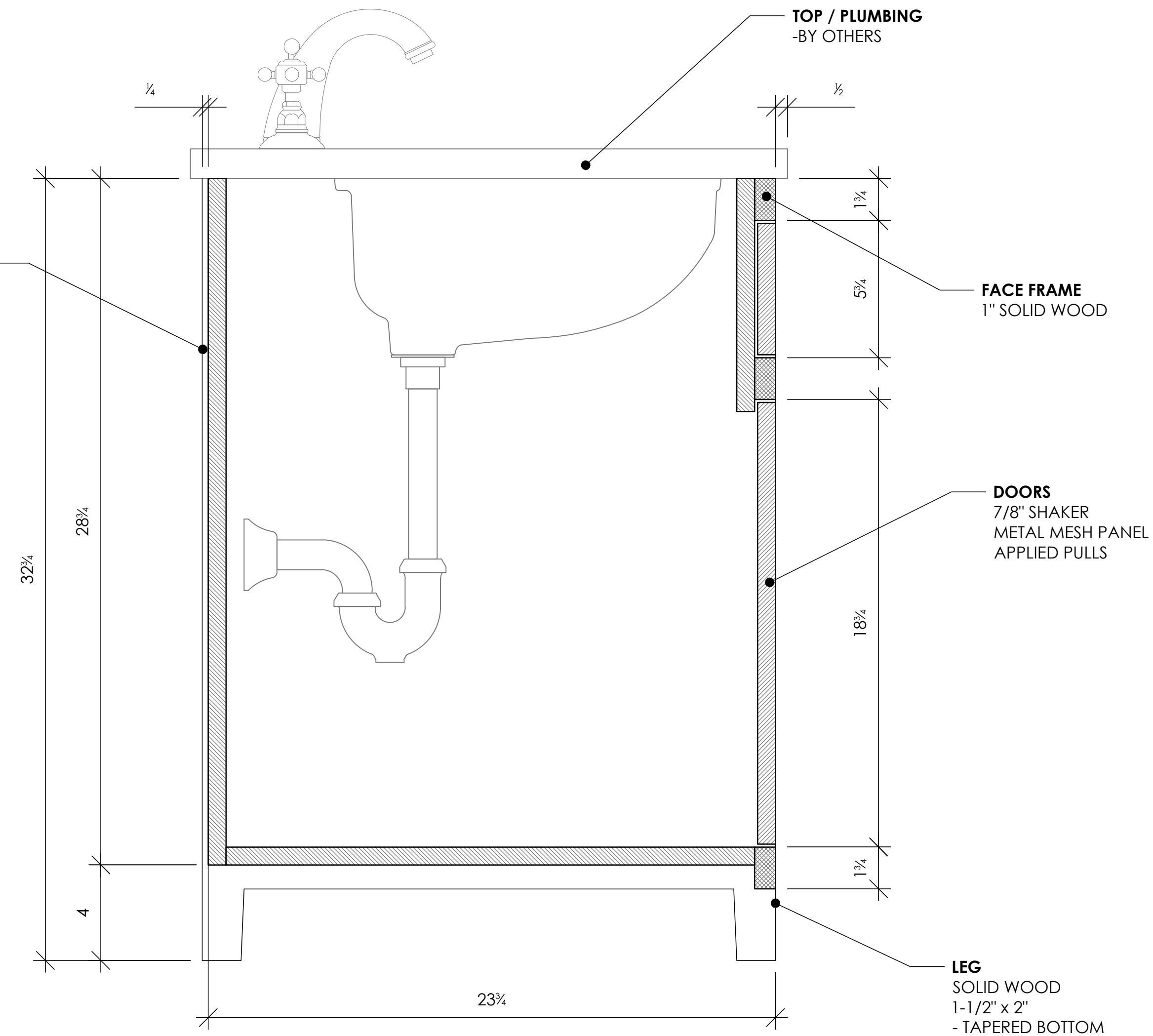
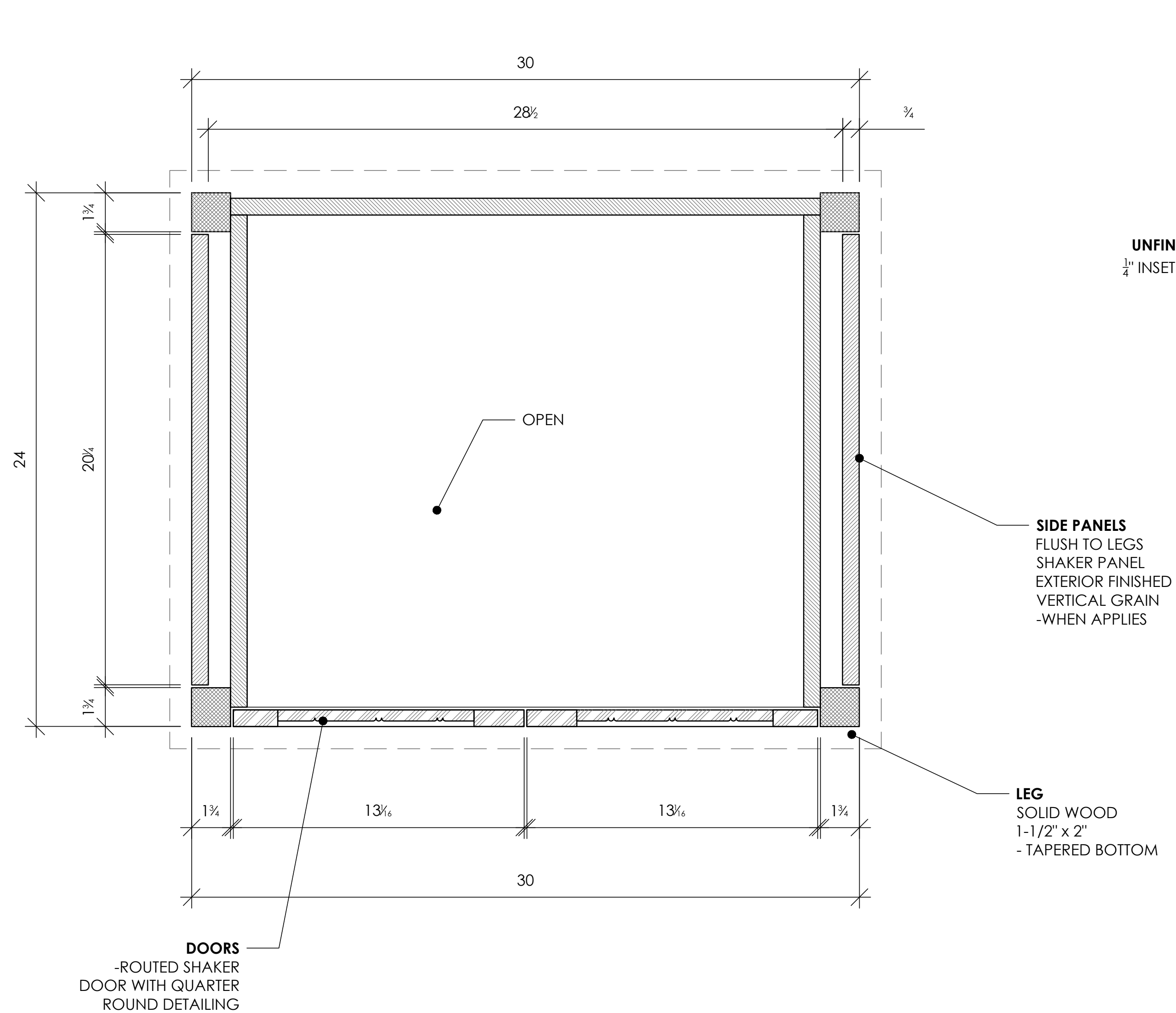
## THE ELLIE

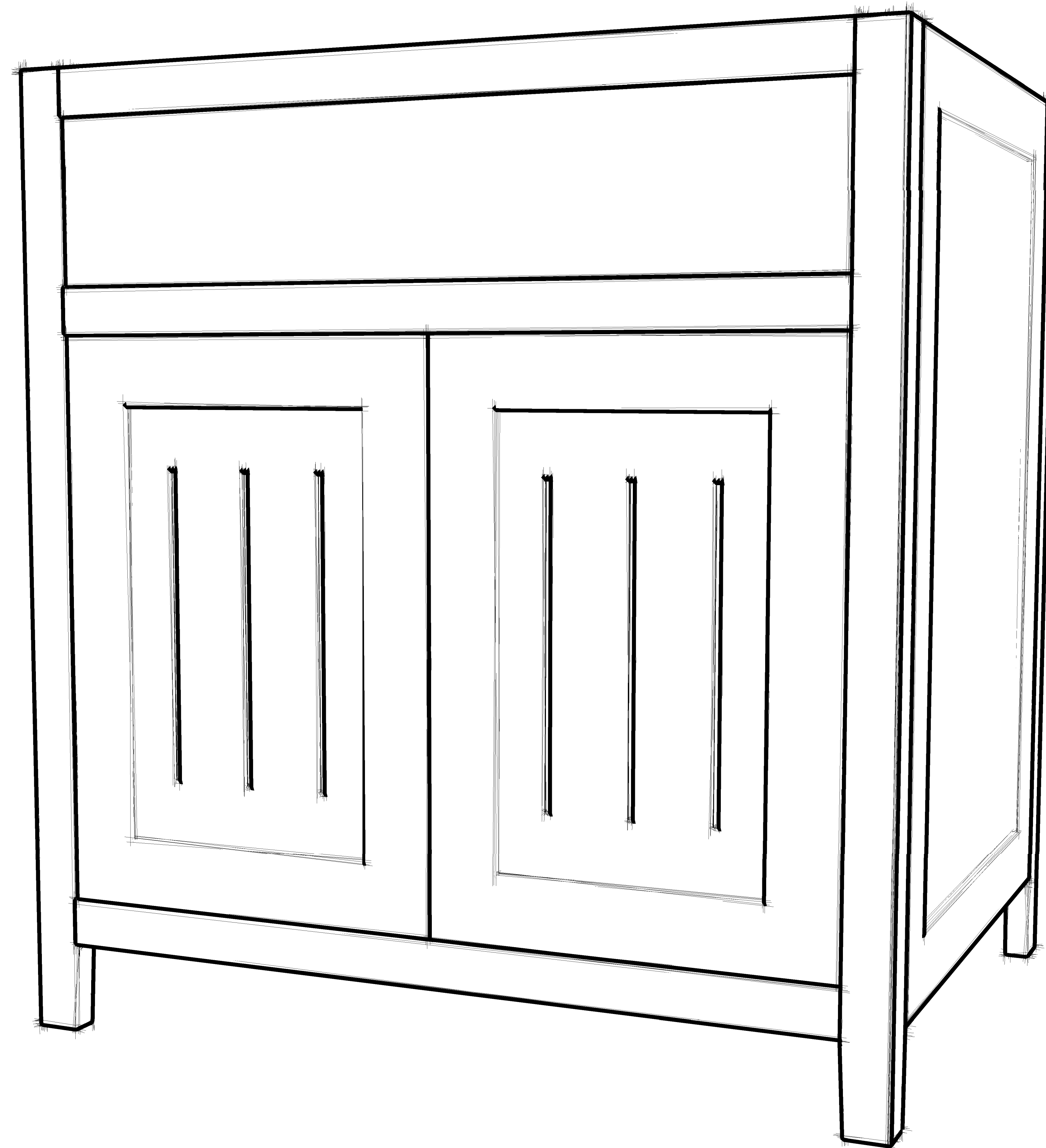
30"  
DETAILS

DATE: 11.09.23  
DRAFTED BY: B.WILEY  
CHECKED BY: J.GREEN

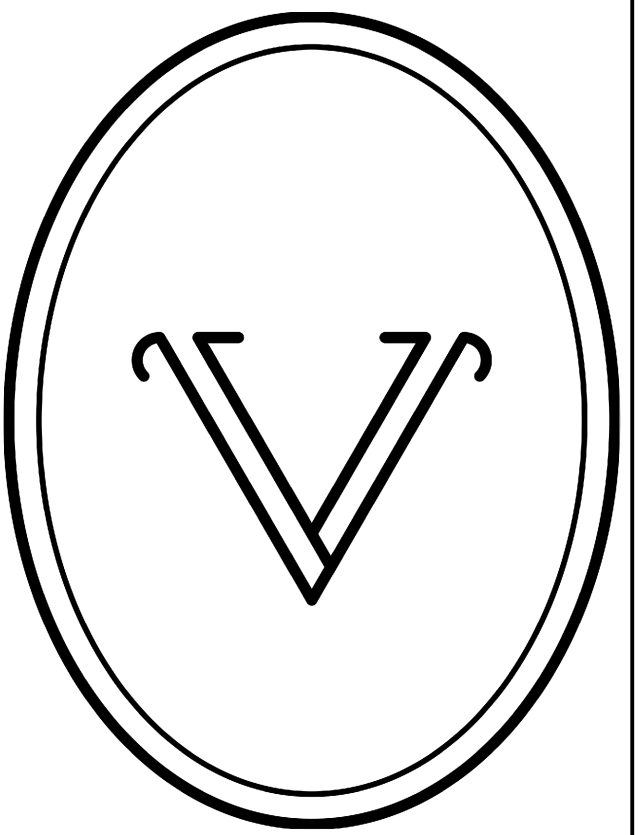
2 OF 3

SCALE: AS NOTED





1 THE ANNA - 30"  
ISOMETRIC SCALE: NTS



**VANITY  
& CO.**  
26 CHURCH STREET  
WELLESLEY, MA 02482

**MATERIALS**

3/4", 1" MOISTURE RESISTANT MDF  
WHITE OAK OR PAINT GR MAPLE  
1/2", 3/4" PREFINISHED MAPLE PLYWOOD  
WOOD BLOCKING

**HARDWARE**

4 EA HINGES: BLUM EURO HINGES - SOFT CLOSE  
2 EA KNOBS: ARMAC MARTIN #ABDK/32  
POLISHED UNLACQUERED BRASS,  
PROVIDED BY OTHERS  
1 EA TOWEL BAR: FOG LINEN IAB305-B, 19",  
BRASS - PROVIDED BY OTHERS  
2 EA STEM LEVELERS, HAFELE #637.05.308, BLACK  
WITH 1/4" #20 T-NUTS

**FINISH**

PAINT FINISH: BEN MOORE - WHITE DOVE, SATIN  
POLISHED UNLACQUERED BRASS  
STONE: 3CM THICK - BY OTHERS

| NO. | DESCRIPTION | DATE |
|-----|-------------|------|
|     |             |      |
|     |             |      |
|     |             |      |
|     |             |      |
|     |             |      |
|     |             |      |

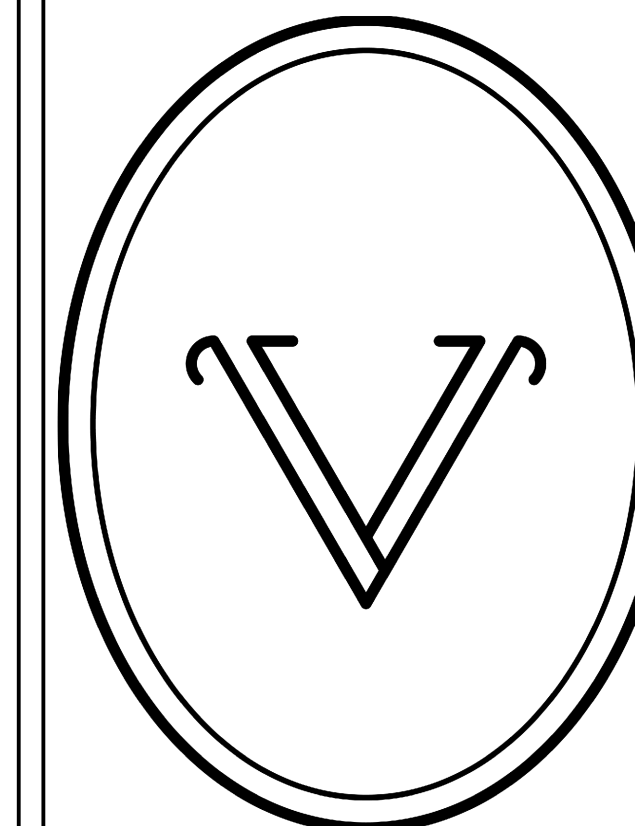
**THE ELLIE**

**30"  
ISOMETRIC**

DATE: 11.09.23  
DRAFTED BY: B.WILEY  
CHECKED BY: J.GREEN

**3 OF 3**

SCALE: AS NOTED



**VANITY & CO.**

26 CHURCH STREET  
WELLESLEY, MA 02482

**MATERIALS**

3/4", 1" MOISTURE RESISTANT MDF  
WHITE OAK OR PAINT GR MAPLE  
1/2", 3/4" PREFINISHED MAPLE PLYWOOD  
WOOD BLOCKING

**HARDWARE**

4 EA HINGES: BLUM EURO HINGES - SOFT CLOSE  
2 EA KNOBS: ARMAC MARTIN #ABDK/32  
POLISHED UNLACQUERED BRASS,  
PROVIDED BY OTHERS  
1 EA TOWEL BAR: FOG LINEN IAB305-B, 19",  
BRASS - PROVIDED BY OTHERS  
2 EA STEM LEVELERS, HAFELE #637.05.308, BLACK  
WITH 1/4" #20 T-NUTS

**FINISH**

PAINT FINISH: BEN MOORE - WHITE DOVE, SATIN  
POLISHED UNLACQUERED BRASS  
STONE: 3CM THICK - BY OTHERS

| NO. | DESCRIPTION | DATE |
|-----|-------------|------|
|     |             |      |
|     |             |      |
|     |             |      |
|     |             |      |
|     |             |      |
|     |             |      |
|     |             |      |
|     |             |      |
|     |             |      |
|     |             |      |

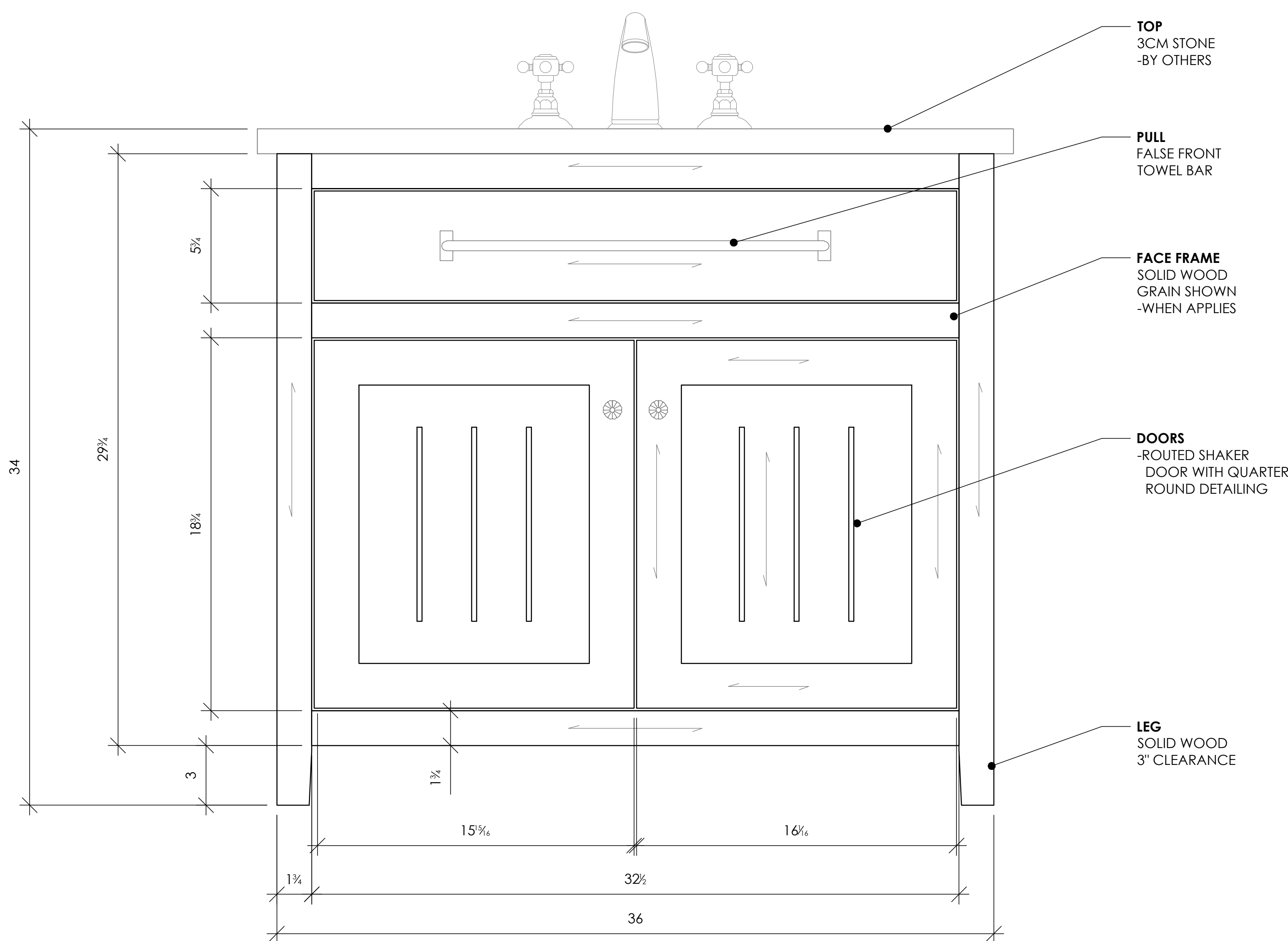
**THE ELLIE**

36"  
OVERVIEW

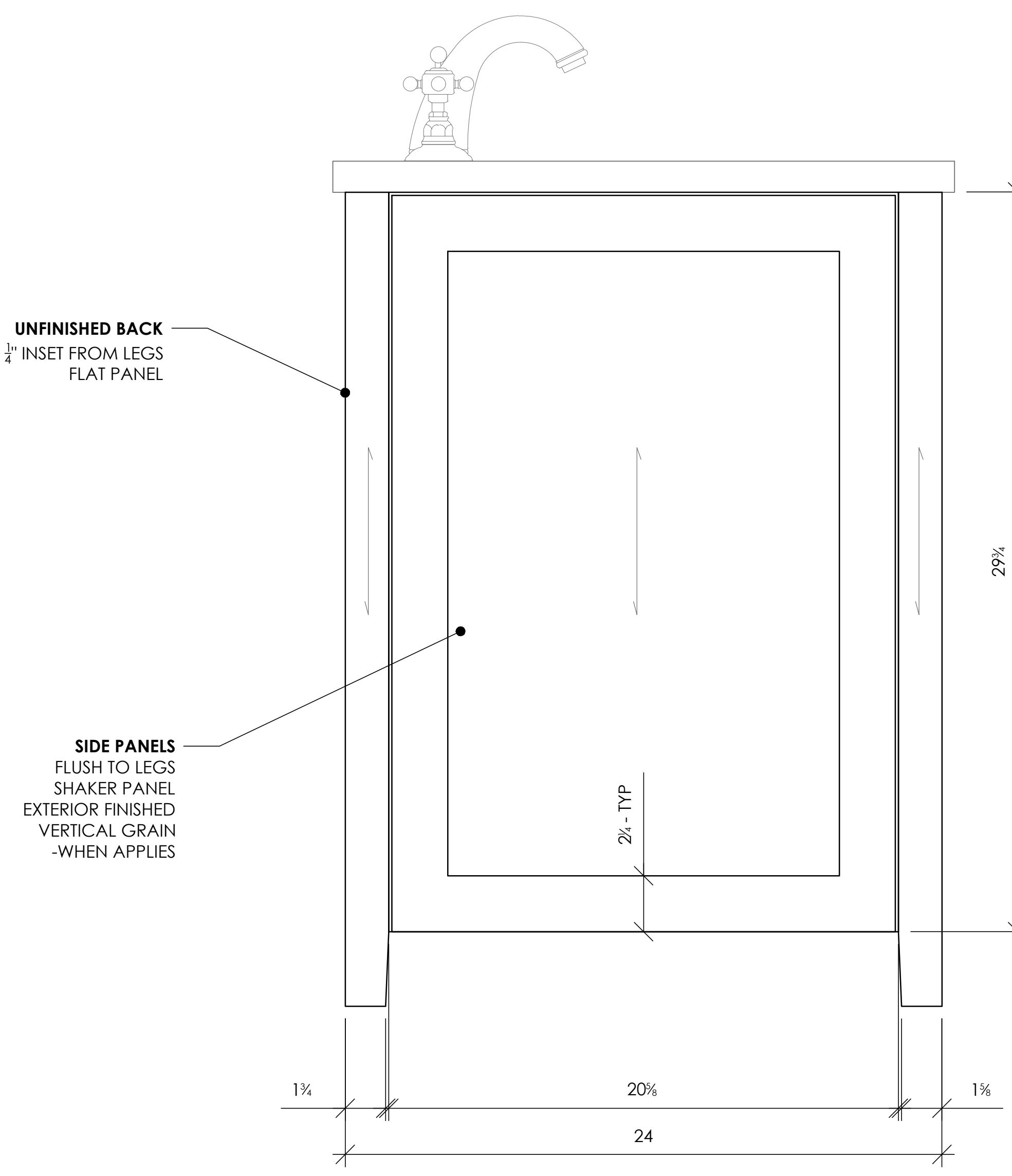
DATE: 11.09.23  
DRAFTED BY: B.WILEY  
CHECKED BY: J.GREEN

1 OF 3

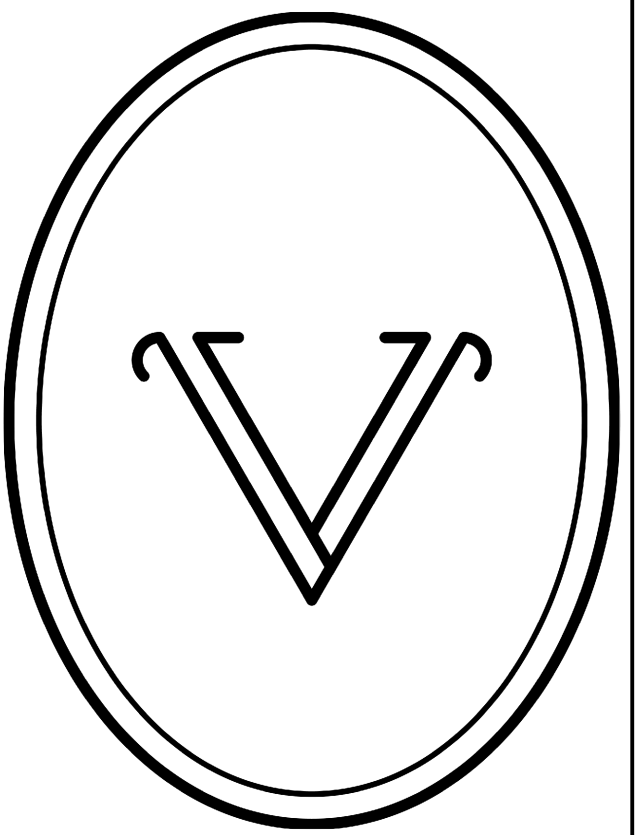
SCALE: AS NOTED



**1** VANITY  
FRONT ELEVATION  
SCALE: 3" = 1"



**2** VANITY  
SIDE ELEVATION  
SCALE: 3" = 1"



# VANITY & CO.

26 CHURCH STREET  
WELLESLEY, MA 02482

## MATERIALS

3/4", 1" MOISTURE RESISTANT MDF  
WHITE OAK OR PAINT GR MAPLE  
1/2", 3/4" PREFINISHED MAPLE PLYWOOD  
WOOD BLOCKING

## HARDWARE

4 EA HINGES: BLUM EURO HINGES - SOFT CLOSE  
2 EA KNOBS: ARMAC MARTIN #ABDK/32  
POLISHED UNLACQUERED BRASS,  
PROVIDED BY OTHERS  
1 EA TOWEL BAR: FOG LINEN IAB305-B, 19",  
BRASS - PROVIDED BY OTHERS  
2 EA STEM LEVELERS, HAFELE #637.05.308, BLACK  
WITH 1/4" #20 T-NUTS

## FINISH

PAINT FINISH: BEN MOORE - WHITE DOVE, SATIN  
POLISHED UNLACQUERED BRASS  
STONE: 3CM THICK - BY OTHERS

| NO. | DESCRIPTION | DATE |
|-----|-------------|------|
|     |             |      |
|     |             |      |
|     |             |      |
|     |             |      |
|     |             |      |
|     |             |      |
|     |             |      |
|     |             |      |
|     |             |      |
|     |             |      |

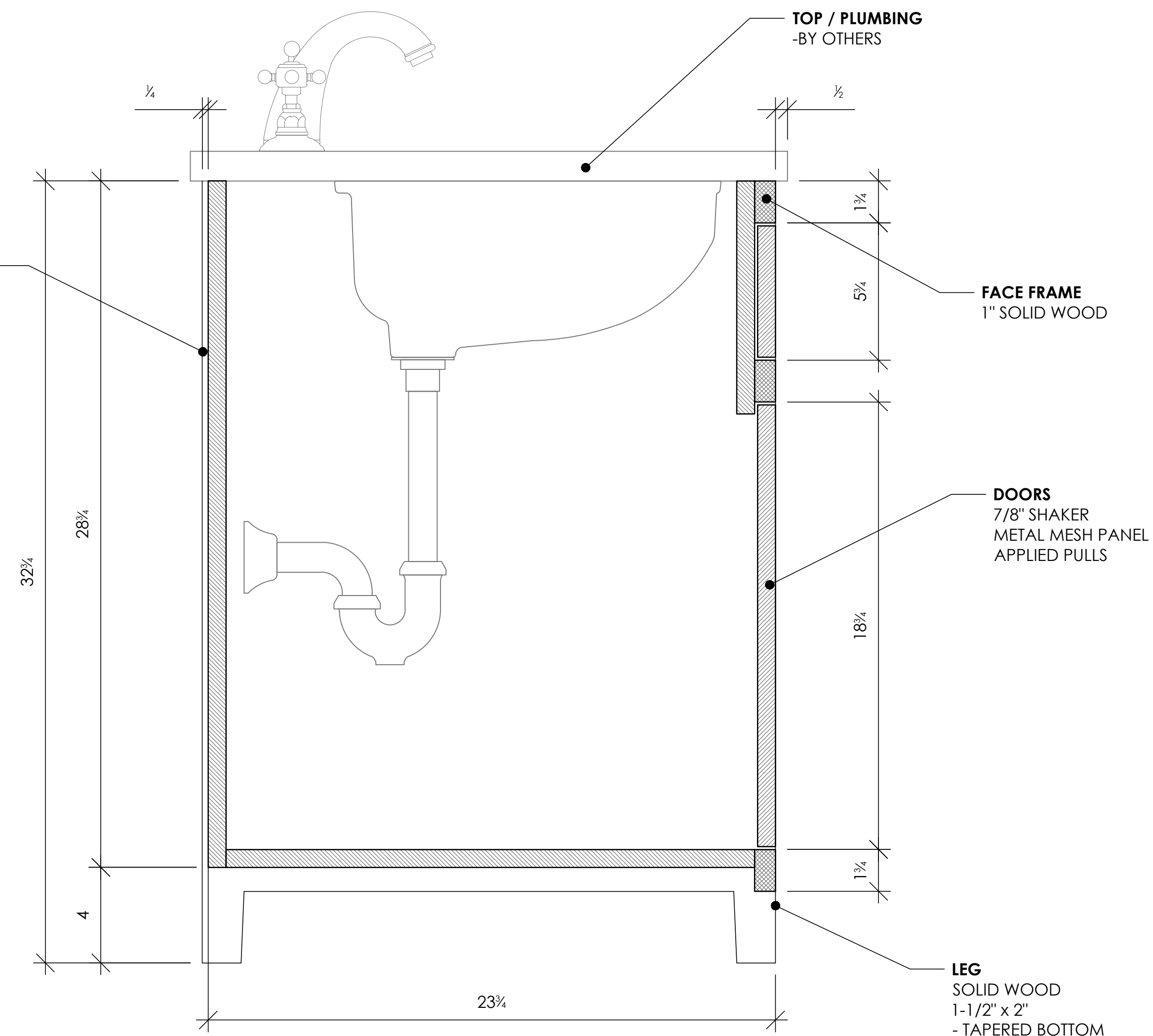
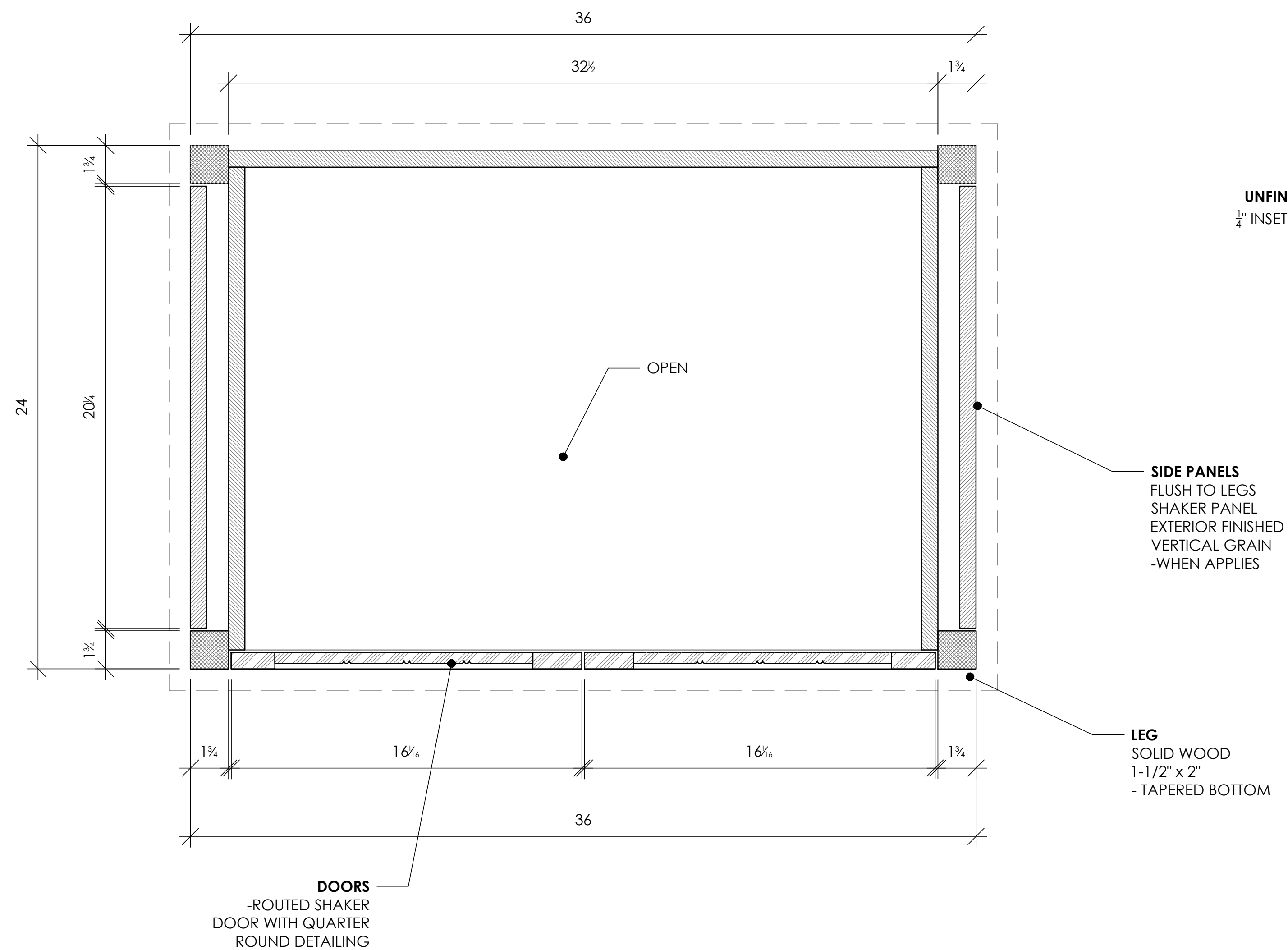
## THE ELLIE

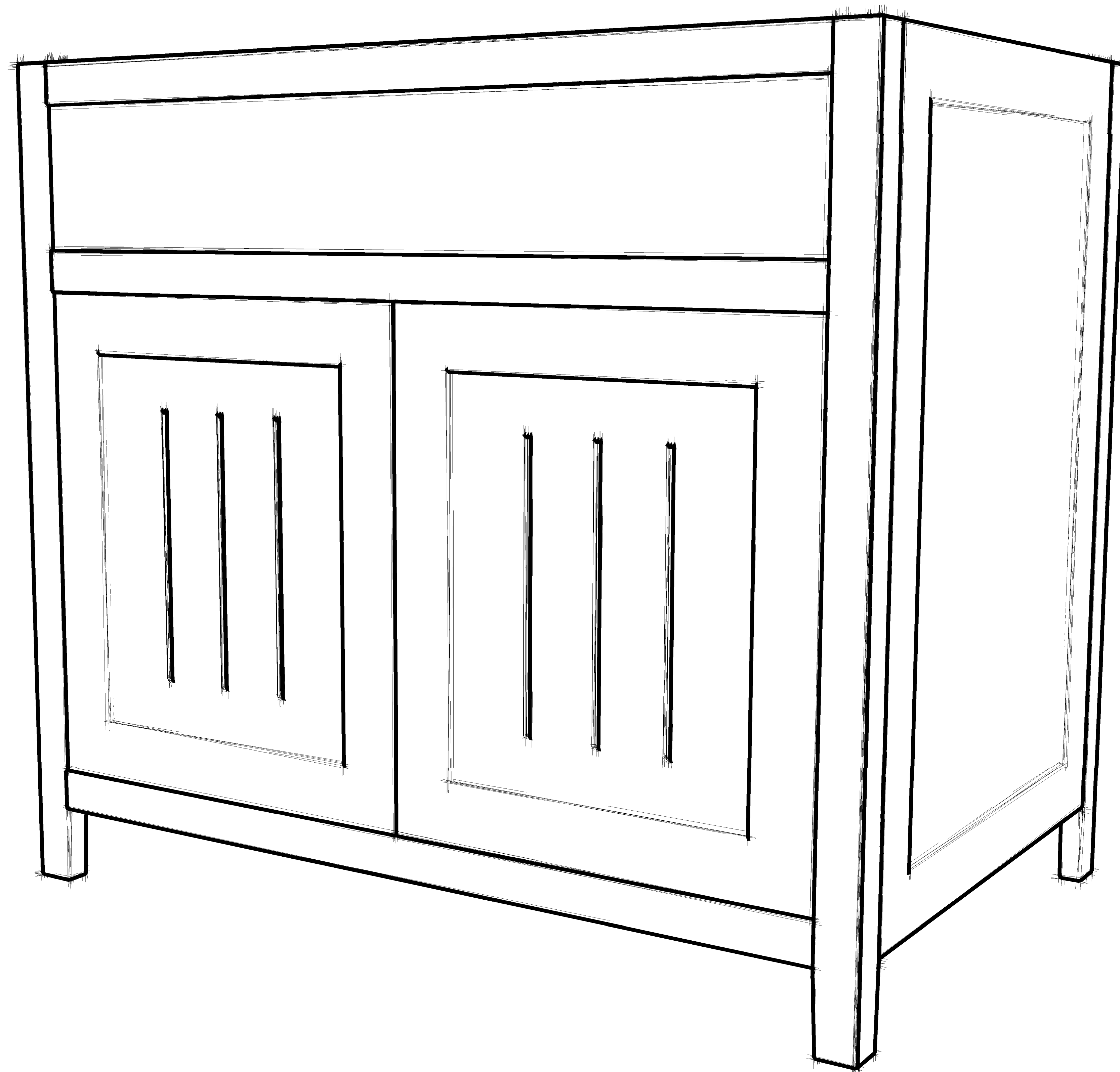
36"  
DETAILS

DATE: 11.09.23  
DRAFTED BY: B.WILEY  
CHECKED BY: J.GREEN

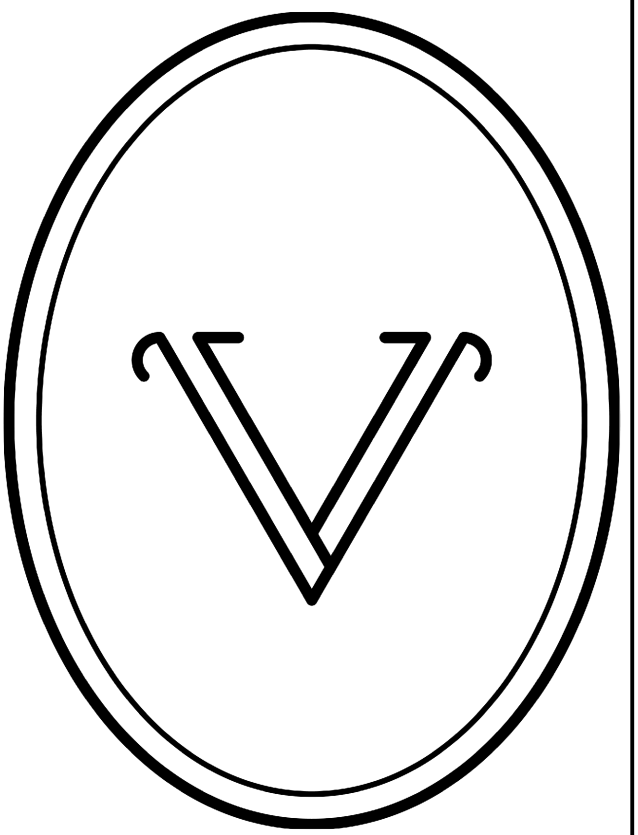
2 OF 3

SCALE: AS NOTED





1 THE ANNA - 30"  
ISOMETRIC SCALE: NTS



**VANITY  
& CO.**  
26 CHURCH STREET  
WELLESLEY, MA 02482

**MATERIALS**

3/4", 1" MOISTURE RESISTANT MDF  
WHITE OAK OR PAINT GR MAPLE  
1/2", 3/4" PREFINISHED MAPLE PLYWOOD  
WOOD BLOCKING

**HARDWARE**

4 EA HINGES: BLUM EURO HINGES - SOFT CLOSE  
2 EA KNOBS: ARMAC MARTIN #ABDK/32  
POLISHED UNLACQUERED BRASS,  
PROVIDED BY OTHERS  
1 EA TOWEL BAR: FOG LINEN IAB305-B, 19",  
BRASS - PROVIDED BY OTHERS  
2 EA STEM LEVELERS, HAFELE #637.05.308, BLACK  
WITH 1/4" #20 T-NUTS

**FINISH**

PAINT FINISH: BEN MOORE - WHITE DOVE, SATIN  
POLISHED UNLACQUERED BRASS  
STONE: 3CM THICK - BY OTHERS

| NO. | DESCRIPTION | DATE |
|-----|-------------|------|
|     |             |      |
|     |             |      |
|     |             |      |
|     |             |      |
|     |             |      |
|     |             |      |

**THE ELLIE**

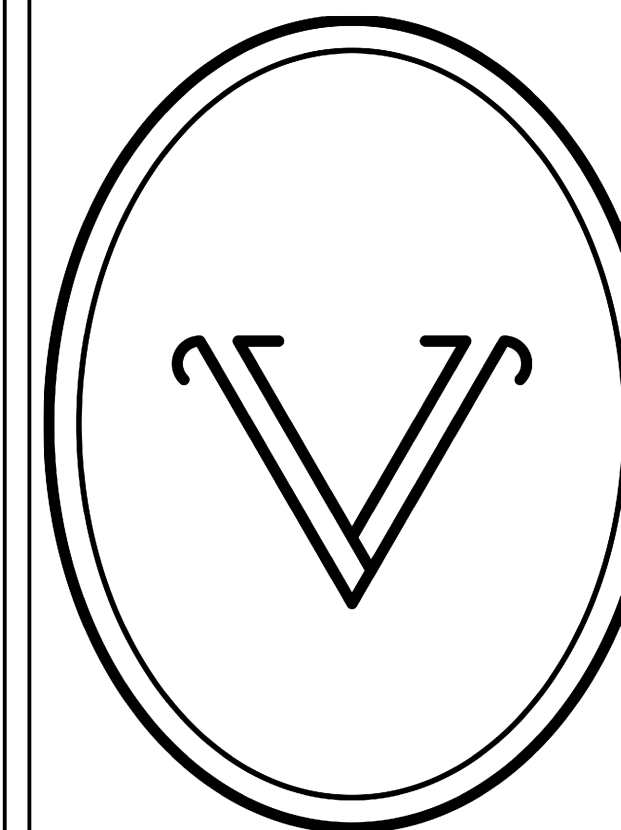
**36"  
ISOMETRIC**

DATE: 11.09.23  
DRAFTED BY: B.WILEY  
CHECKED BY: J.GREEN

**3 OF 3**

SCALE: AS NOTED

PATENT PENDING



**VANITY & CO.**

26 CHURCH STREET  
WELLESLEY, MA 02482

**MATERIALS**

3/4", 1" MOISTURE RESISTANT MDF  
WHITE OAK OR PAINT GR MAPLE  
1/2", 3/4" PREFINISHED MAPLE PLYWOOD  
WOOD BLOCKING

**HARDWARE**

8 EA HINGES: BLUM EURO HINGES - SOFT CLOSE  
4 EA KNOBS: ARMAC MARTIN #ABDK/32  
POLISHED UNLACQUERED BRASS,  
PROVIDED BY OTHERS  
2 EA TOWEL BAR: FOG LINEN IAB305-B, 19",  
BRASS - PROVIDED BY OTHERS  
4 EA STEM LEVELERS, HAFELE #637.05.308, BLACK  
WITH 1/4" #20 T-NUTS

**FINISH**

PAINT FINISH: BEN MOORE - WHITE DOVE, SATIN  
POLISHED UNLACQUERED BRASS  
STONE: 3CM THICK - BY OTHERS

| NO. | DESCRIPTION | DATE |
|-----|-------------|------|
|     |             |      |
|     |             |      |
|     |             |      |
|     |             |      |
|     |             |      |
|     |             |      |
|     |             |      |
|     |             |      |
|     |             |      |
|     |             |      |

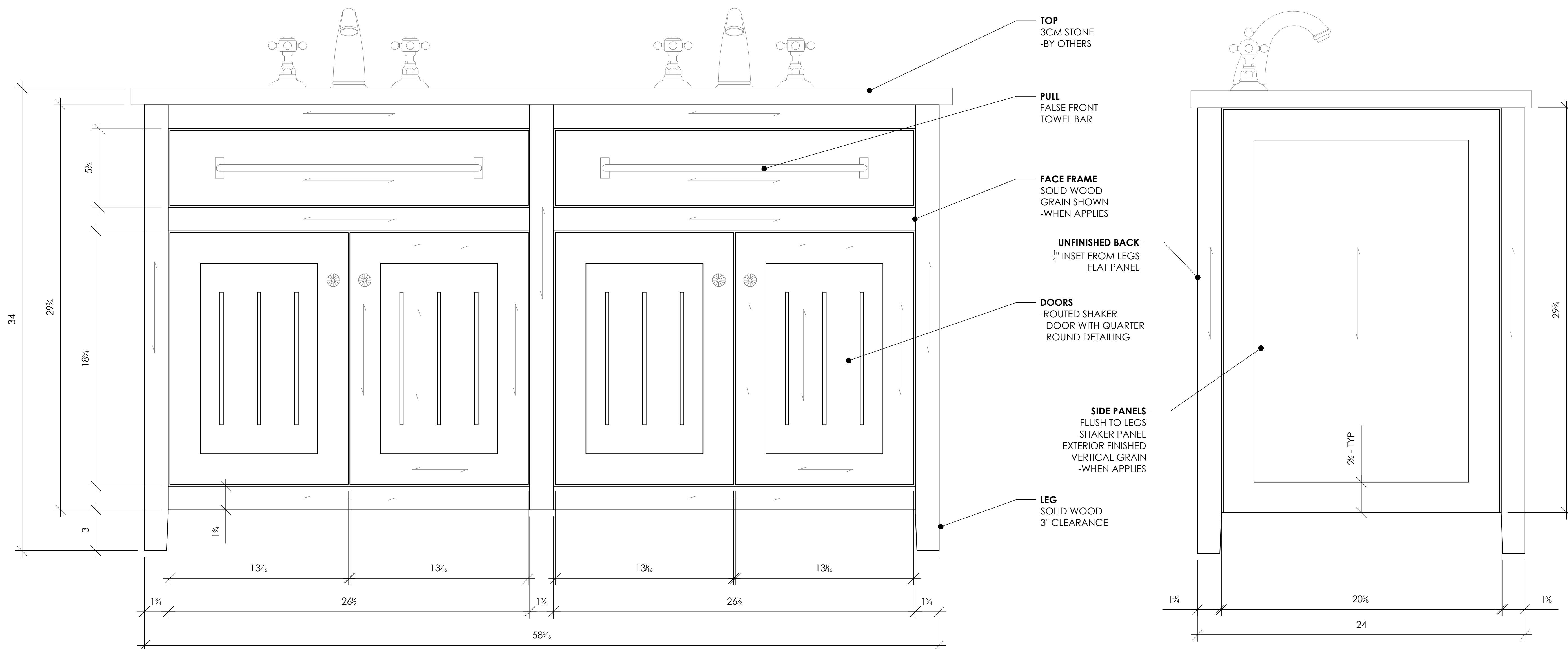
**THE ELLIE**

60"  
OVERVIEW

DATE: 08.01.24  
DRAFTED BY: B.WILEY  
CHECKED BY: J.GREEN

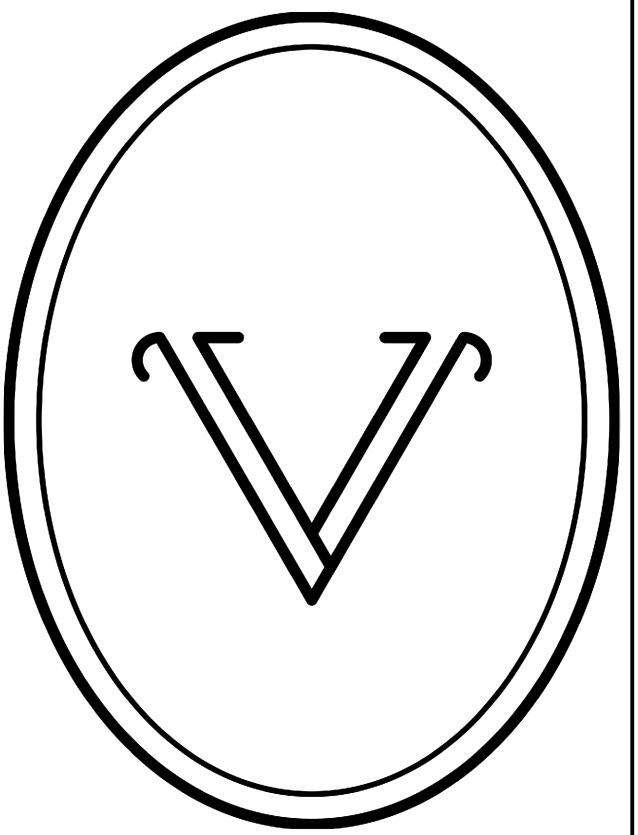
1 OF 3

SCALE: AS NOTED









# VANITY & CO.

26 CHURCH STREET  
WELLESLEY, MA 02482

### MATERIALS

3/4", 1" MOISTURE RESISTANT MDF  
WHITE OAK OR PAINT GR MAPLE  
1/2", 3/4" PREFINISHED MAPLE PLYWOOD  
WOOD BLOCKING

### HARDWARE

8 EA HINGES: BLUM EURO HINGES - SOFT CLOSE  
4 EA KNOBS: ARMAC MARTIN #ABDK/32  
POLISHED UNLACQUERED BRASS,  
PROVIDED BY OTHERS  
2 EA TOWEL BAR: FOG LINEN IAB305-B, 19",  
BRASS - PROVIDED BY OTHERS  
4 EA STEM LEVELERS, HAFELE #637.05.308, BLACK  
WITH 1/4" #20 T-NUTS

### FINISH

PAINT FINISH: BEN MOORE - WHITE DOVE, SATIN  
POLISHED UNLACQUERED BRASS  
STONE: 3CM THICK - BY OTHERS

| NO. | DESCRIPTION | DATE |
|-----|-------------|------|
|     |             |      |
|     |             |      |
|     |             |      |
|     |             |      |
|     |             |      |
|     |             |      |

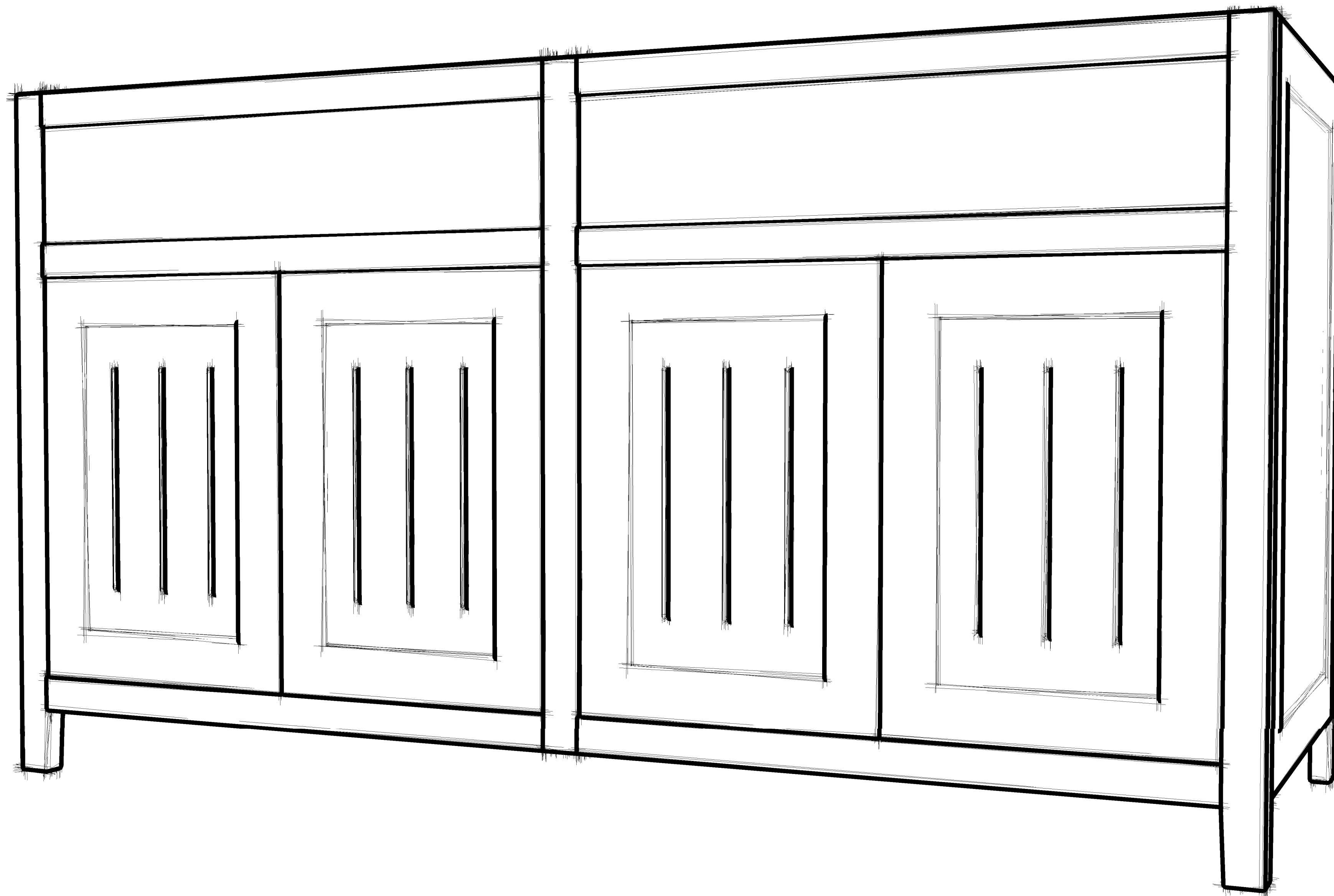
## THE ELLIE

60"  
ISOMETRIC

DATE: 08.01.24  
DRAFTED BY: B.WILEY  
CHECKED BY: J.GREEN

# 3 OF 3

SCALE: AS NOTED



1 THE ANNA - 60"  
ISOMETRIC SCALE: NTS