

**VANITY
& CO.**

26 CHURCH STREET
WELLESLEY, MA 02482

MATERIALS

3/4", 1" MOISTURE RESISTANT MDF
WHITE OAK OR PAINT GR MAPLE
1/2", 3/4" PREFINISHED MAPLE PLYWOOD
CLEAR FINISH DOVETAILED MAPLE DRAWER BOX
OAK OR PAINT GR TURNED LEGS

HARDWARE

2 SETS BLUM 563H UNDERMOUNT SOFT CLOSE DRAWER SLIDES
2 EA BAIL PULLS: CLASSIC BRASS #6035, 3-1/2"
2 EA BAIL PULLS: CLASSIC BRASS #6050, 5"
1 EA KNOB: CLASSIC BRASS #1047, FINISH TBD
4 EA KEYHOLE ESCUTCHEONS, HORTON BRASS #FE-5, POLISHED NICKEL
2 EA STEM LEVELERS, HAFELE #637.05.308, BLACK WITH 1/4" #20 T-NUTS
2 EA T-NUTS 5/16" - #18

FINISH

PAINT FINISH: BEN MOORE - WHITE DOVE, SATIN
STONE: 3CM THICK - BY OTHERS

NO.	DESCRIPTION	DATE

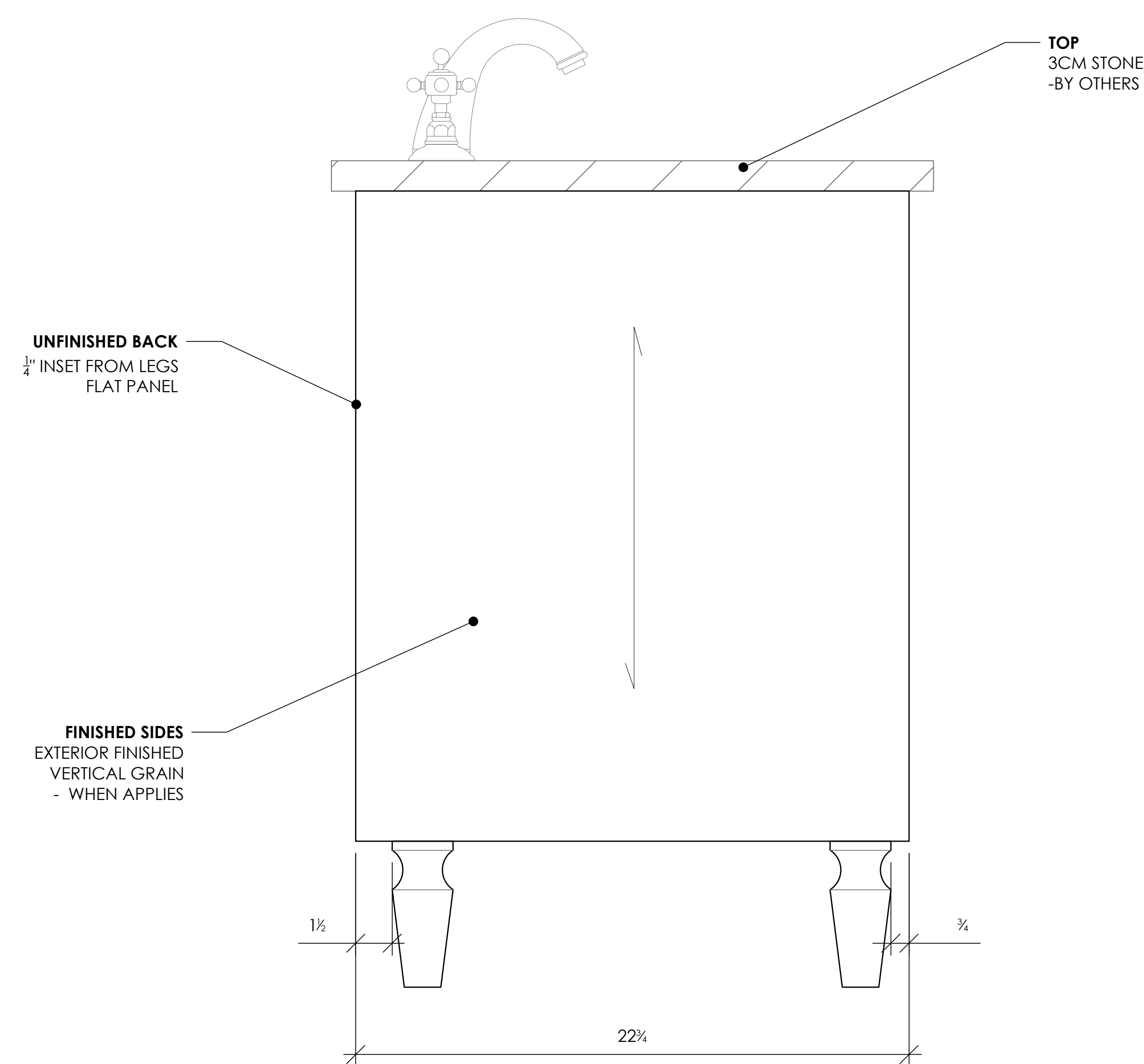
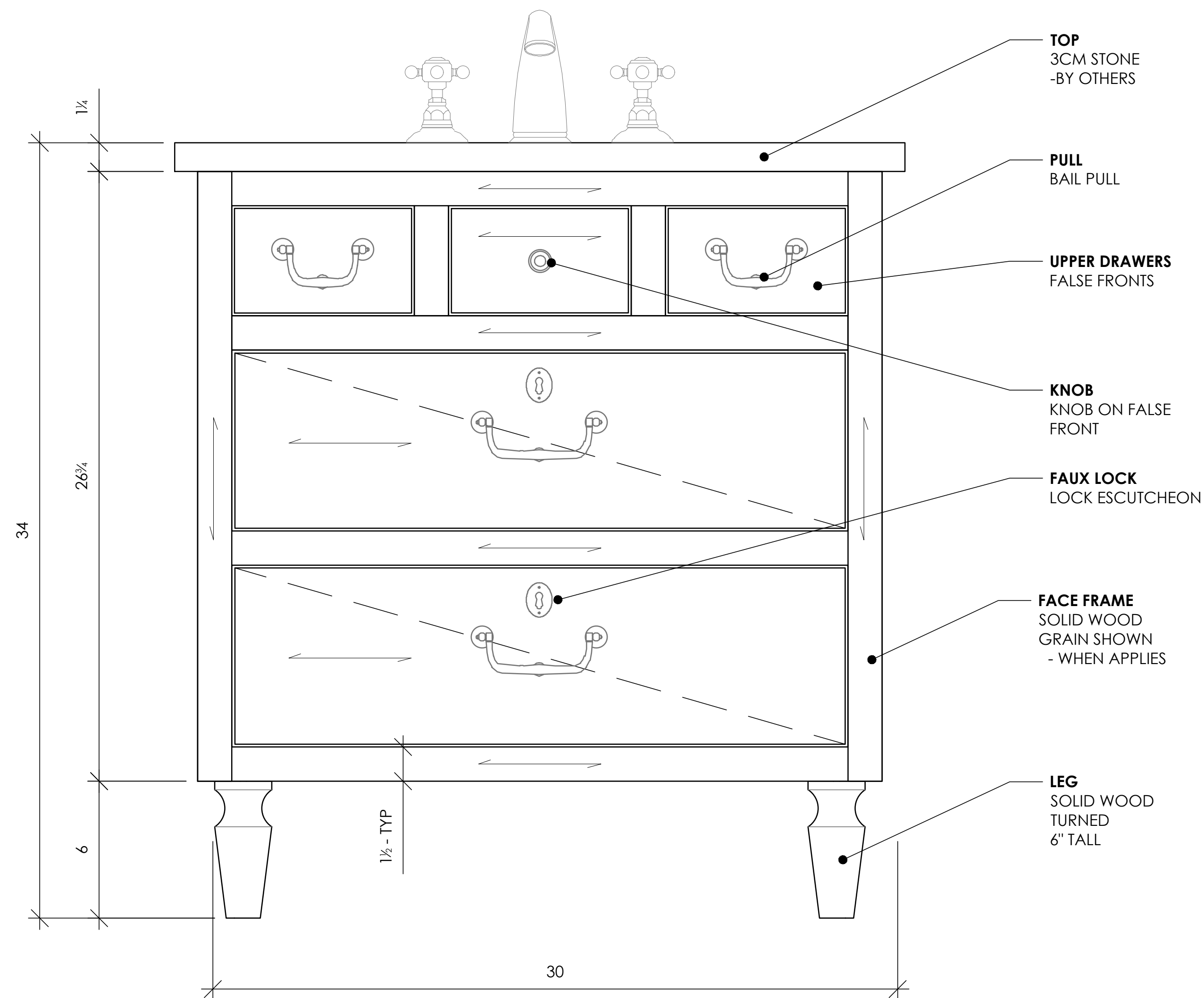
THE EVIE

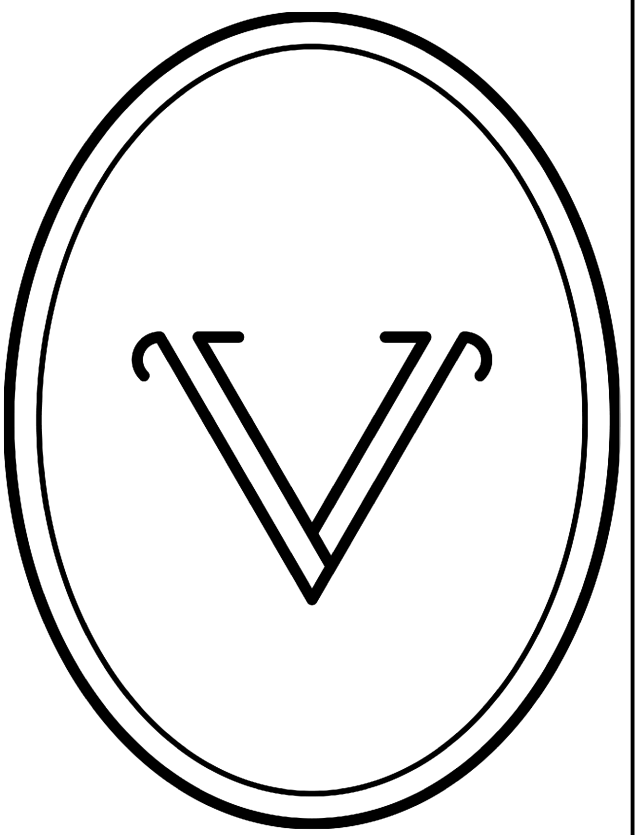
**30"
OVERVIEW**

DATE: 11.09.23
DRAFTED BY: B.WILEY
CHECKED BY: J.GREEN

1 OF 3

SCALE: AS NOTED





VANITY & CO.

26 CHURCH STREET
WELLESLEY, MA 02482

MATERIALS

- 3/4", 1" MOISTURE RESISTANT MDF
- WHITE OAK OR PAINT GR MAPLE
- 1/2", 3/4" PREFINISHED MAPLE PLYWOOD
- CLEAR FINISH DOVETAILED MAPLE DRAWER BOX
- OAK OR PAINT GR TURNED LEGS

HARDWARE

- 2 SETS BLUM 563H UNDERMOUNT SOFT CLOSE DRAWER SLIDES
- 2 EA BAIL PULLS: CLASSIC BRASS #6035, 3-1/2"
- 2 EA BAIL PULLS: CLASSIC BRASS #6050, 5"
- 1 EA KNOB: CLASSIC BRASS #1047, FINISH TBD
- 4 EA KEYHOLE ESCUTCHEONS, HORTON BRASS #FE-S, POLISHED NICKEL
- 2 EA STEM LEVELERS, HAFELE #637.05.308, BLACK WITH 1/4" #20 T-NUTS
- 2 EA T-NUTS 5/16" - #18

FINISH

- PAINT FINISH: BEN MOORE - WHITE DOVE, SATIN
- STONE: 3CM THICK - BY OTHERS

NO.	DESCRIPTION	DATE

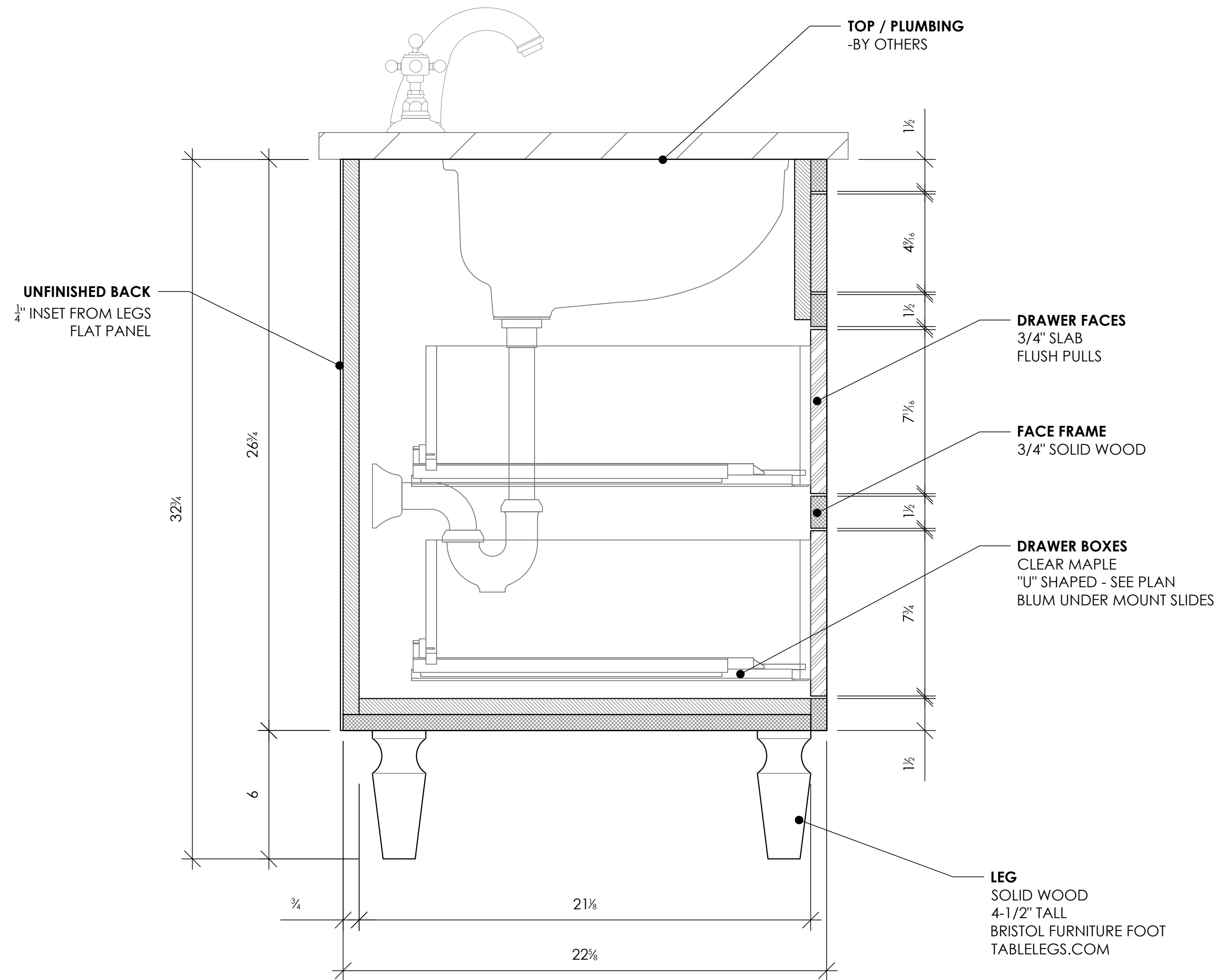
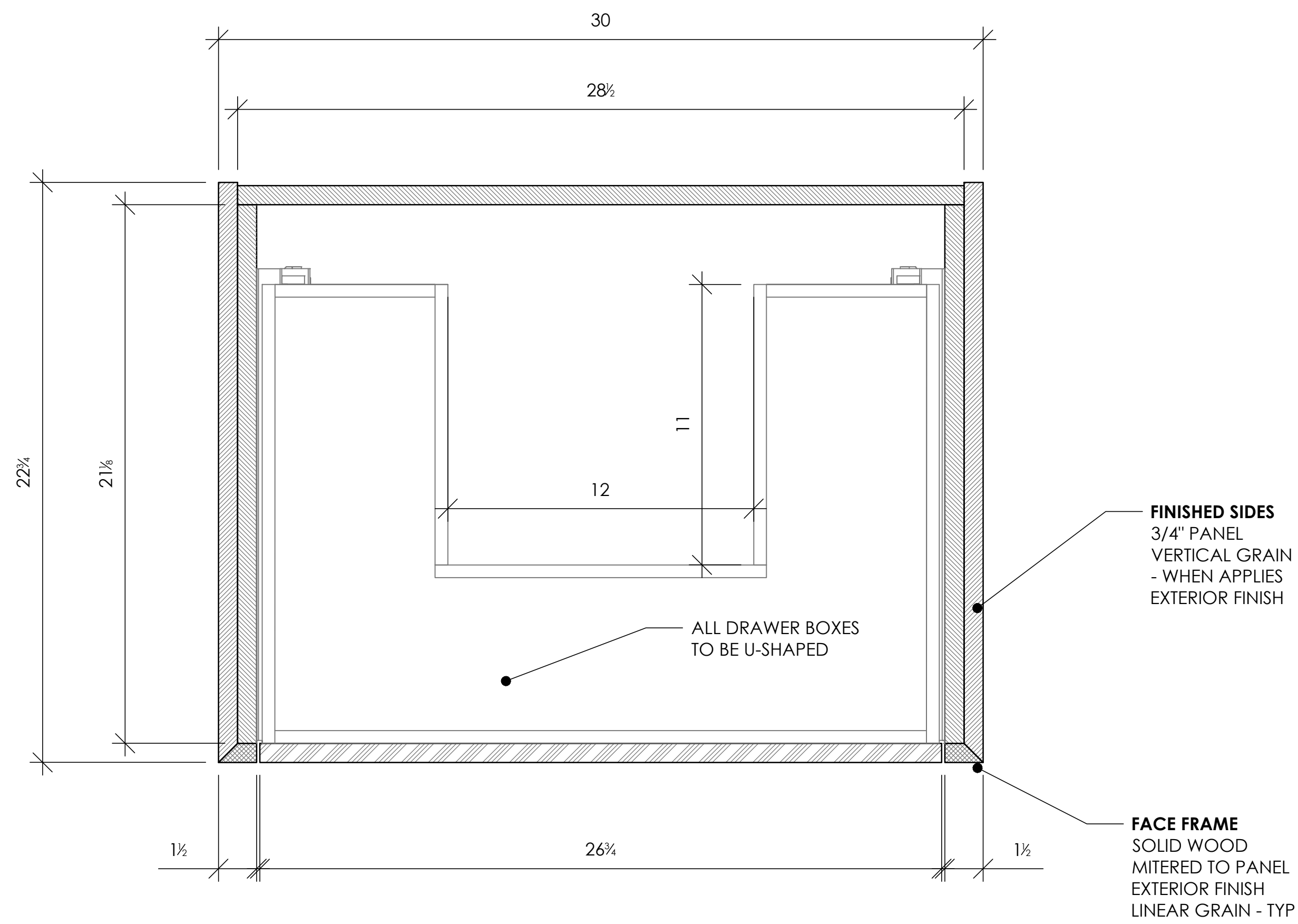
THE EVIE

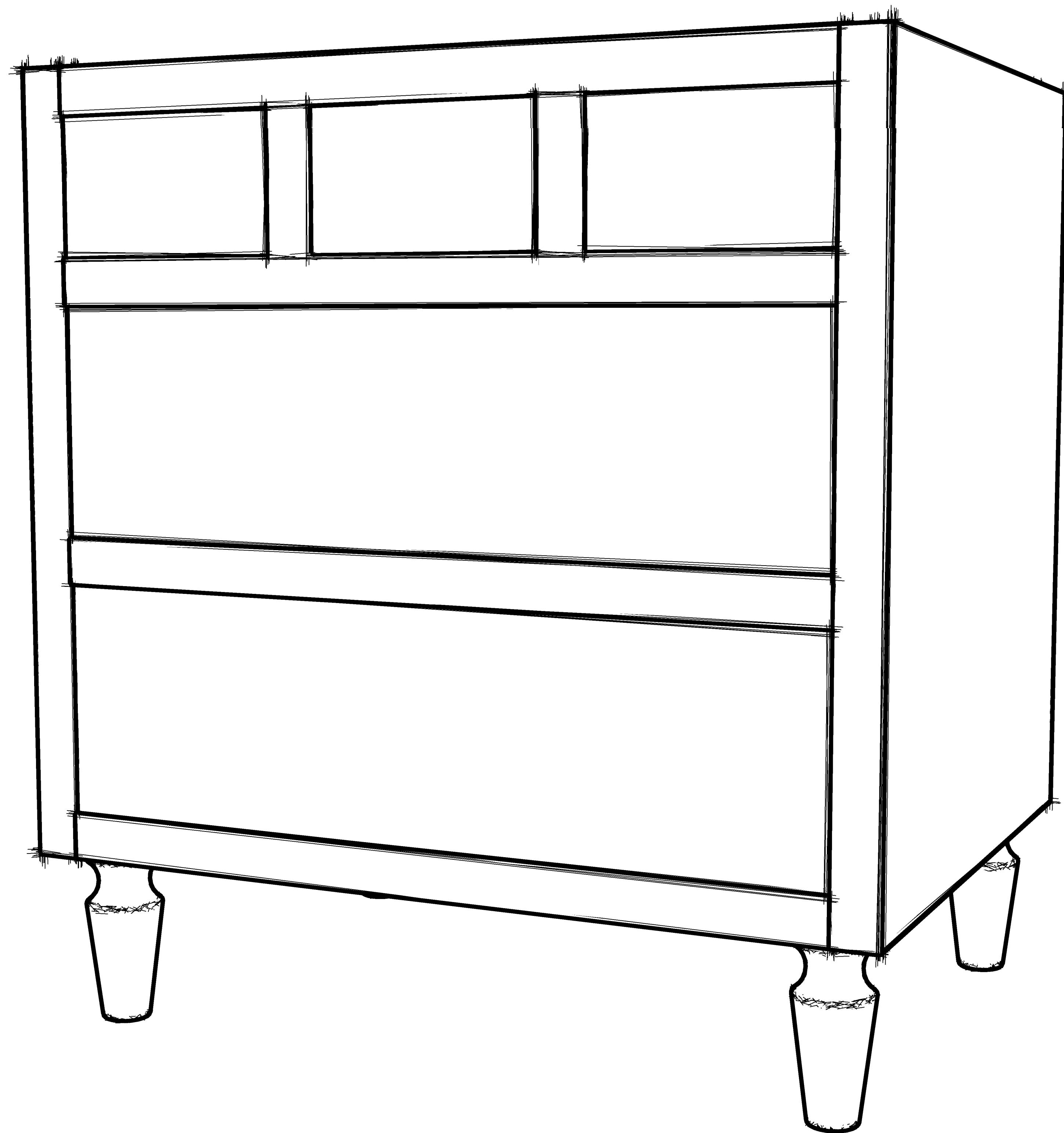
30"
DETAILS

DATE:	11.09.23
DRAFTED BY:	B.WILEY
CHECKED BY:	J.GREEN

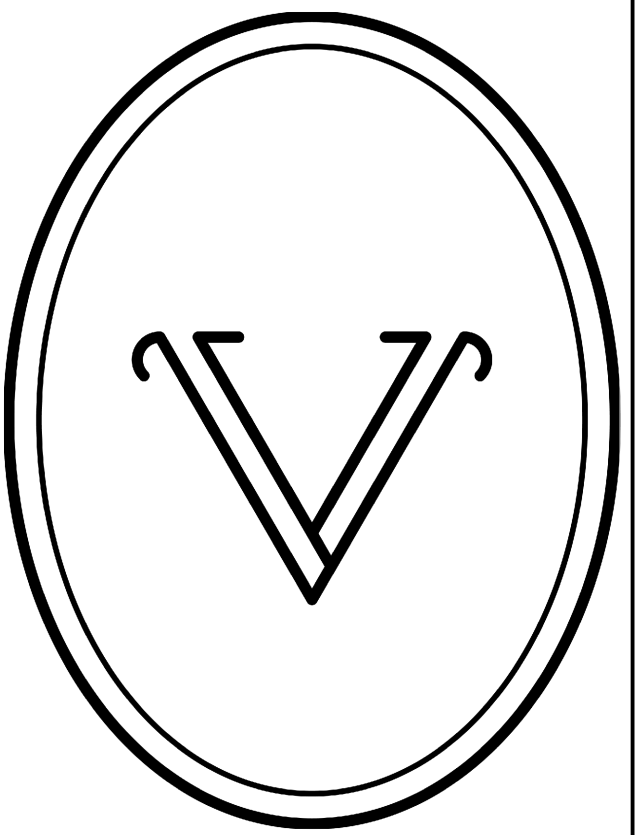
2 OF 3

SCALE: AS NOTED





1 THE EVIE - 30"
ISOMETRIC SCALE: NTS



**VANITY
& CO.**

26 CHURCH STREET
WELLESLEY, MA 02482

MATERIALS

- 3/4", 1" MOISTURE RESISTANT MDF
- WHITE OAK OR PAINT GR MAPLE
- 1/2", 3/4" PREFINISHED MAPLE PLYWOOD
- CLEAR FINISH DOVETAILED MAPLE DRAWER BOX
- OAK OR PAINT GR TURNED LEGS

HARDWARE

- 2 SETS BLUM 563H UNDERMOUNT SOFT CLOSE DRAWER SLIDES
- 2 EA BAIL PULLS: CLASSIC BRASS #6035, 3-1/2"
- 2 EA BAIL PULLS: CLASSIC BRASS #6050, 5"
- 1 EA KNOB: CLASSIC BRASS #1047, FINISH TBD
- 4 EA KEYHOLE ESCUTCHEONS, HORTON BRASS #FE-S, POLISHED NICKEL
- 2 EA STEM LEVELERS, HAFELE #637.05.308, BLACK WITH 1/4" #20 T-NUTS
- 2 EA T-NUTS 5/16" - #18

FINISH

- PAINT FINISH: BEN MOORE - WHITE DOVE, SATIN
- STONE: 3CM THICK - BY OTHERS

NO.	DESCRIPTION	DATE

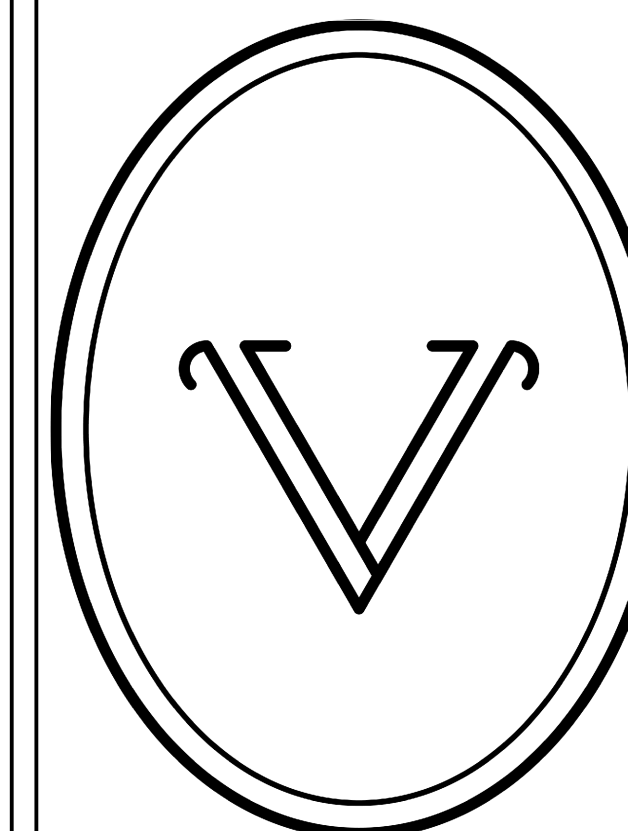
THE EVIE

30"
ISOMETRIC

DATE: 11.09.23
DRAFTED BY: B.WILEY
CHECKED BY: J.GREEN

3 OF 3

SCALE: AS NOTED



VANITY & CO.

26 CHURCH STREET
WELLESLEY, MA 02482

MATERIALS

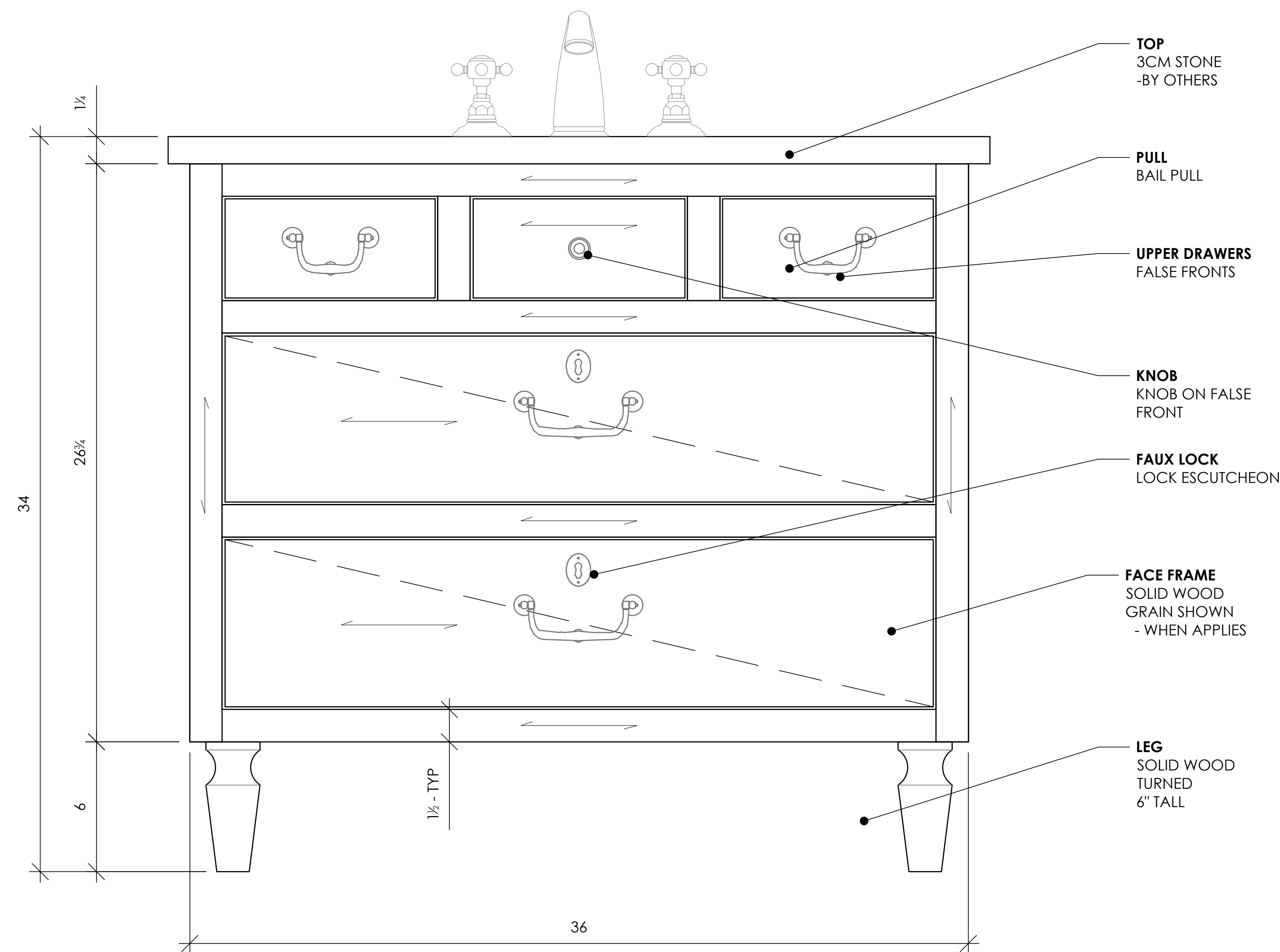
3/4", 1" MOISTURE RESISTANT MDF
WHITE OAK OR PAINT GR MAPLE
1/2", 3/4" PREFINISHED MAPLE PLYWOOD
CLEAR FINISH DOVETAILED MAPLE DRAWER BOX
OAK OR PAINT GR TURNED LEGS

HARDWARE

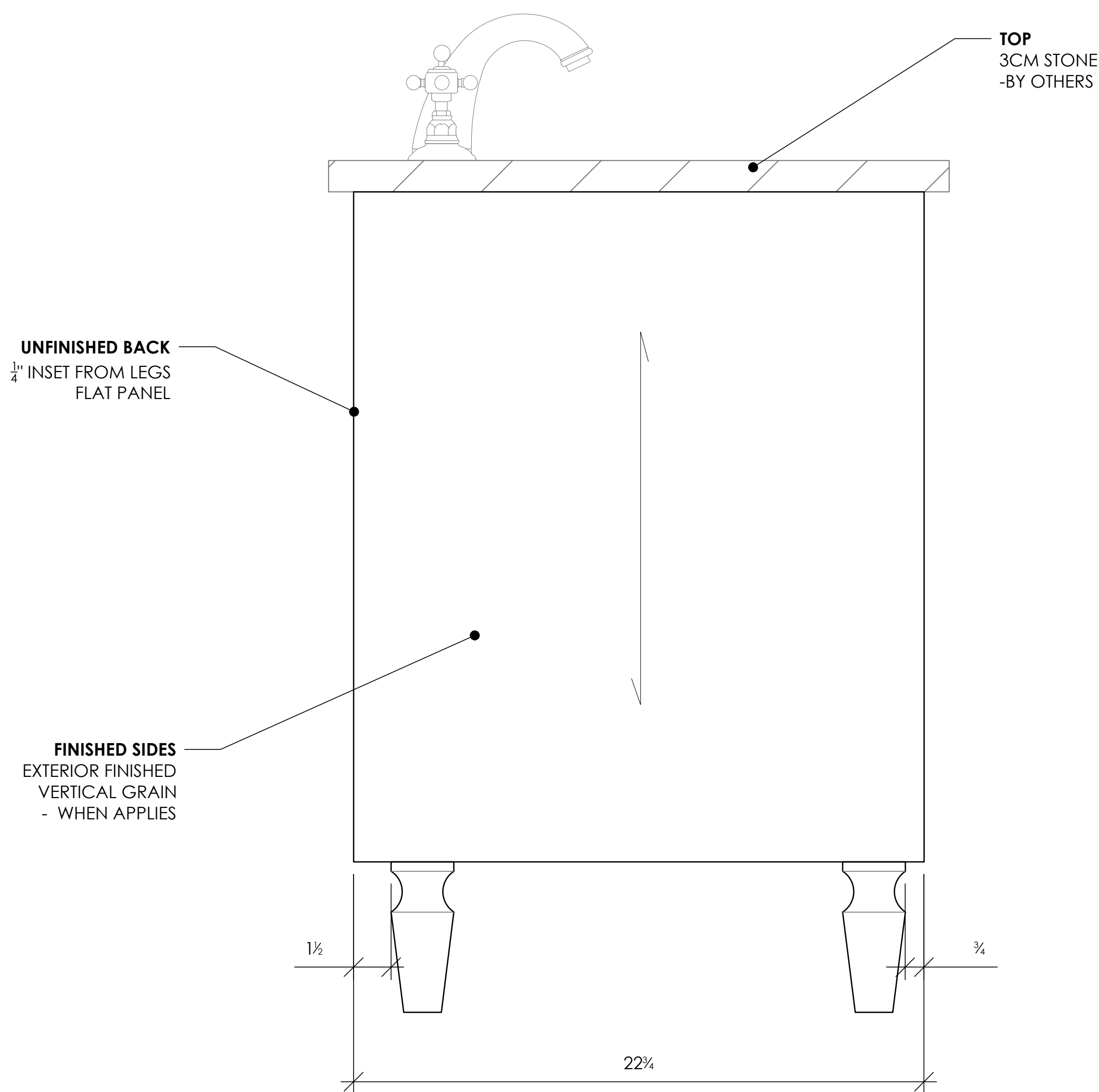
2 SETS BLUM 563H UNDERMOUNT SOFT CLOSE DRAWER SLIDES
2 EA BAIL PULLS: CLASSIC BRASS #6035, 3-1/2"
2 EA BAIL PULLS: CLASSIC BRASS #6050, 5"
1 EA KNOB: CLASSIC BRASS #1047, FINISH TBD
4 EA KEYHOLE ESCUTCHEONS, HORTON BRASS #FE-5, POLISHED NICKEL
2 EA STEM LEVELERS, HAFELE #637.05.308, BLACK WITH 1/4" #20 T-NUTS
2 EA T-NUTS 5/16" - #18

FINISH

PAINT FINISH: BEN MOORE - WHITE DOVE, SATIN
STONE: 3CM THICK - BY OTHERS



1 VANITY
FRONT ELEVATION SCALE: 3" = 1"



2 VANITY
SIDE ELEVATION SCALE: 3" = 1"

NO.	DESCRIPTION	DATE

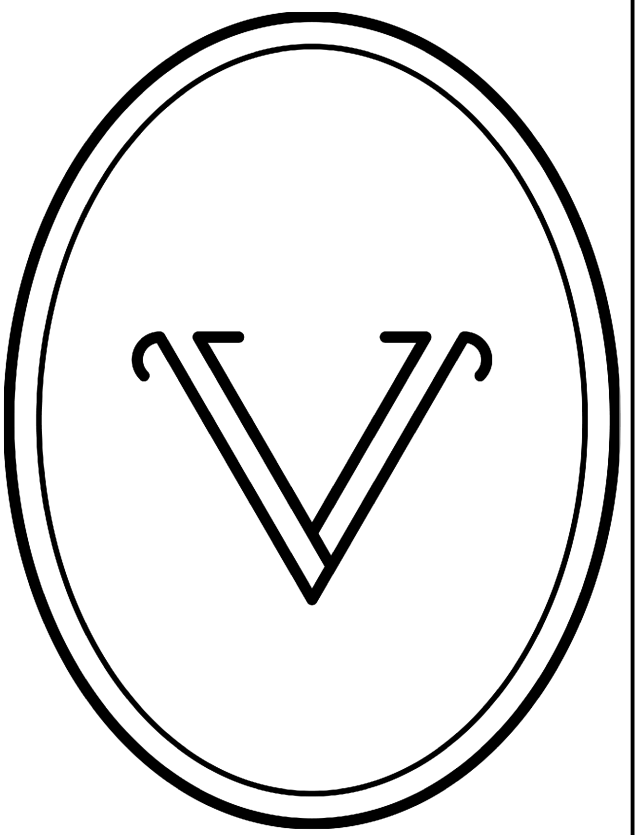
THE EVIE

**36"
OVERVIEW**

DATE: 11.09.23
DRAFTED BY: B.WILEY
CHECKED BY: J.GREEN

1 OF 3

SCALE: AS NOTED



**VANITY
& CO.**

26 CHURCH STREET
WELLESLEY, MA 02482

MATERIALS

- 3/4", 1" MOISTURE RESISTANT MDF
- WHITE OAK OR PAINT GR MAPLE
- 1/2", 3/4" PREFINISHED MAPLE PLYWOOD
- CLEAR FINISH DOVETAILED MAPLE DRAWER BOX
- OAK OR PAINT GR TURNED LEGS

HARDWARE

- 2 SETS BLUM 563H UNDERMOUNT SOFT CLOSE DRAWER SLIDES
- 2 EA BAIL PULLS: CLASSIC BRASS #6035, 3-1/2"
- 2 EA BAIL PULLS: CLASSIC BRASS #6050, 5"
- 1 EA KNOB: CLASSIC BRASS #1047, FINISH TBD
- 4 EA KEYHOLE ESCUTCHEONS, HORTON BRASS #FE-S, POLISHED NICKEL
- 2 EA STEM LEVELERS, HAFELE #637.05.308, BLACK WITH 1/4" #20 T-NUTS
- 2 EA T-NUTS 5/16" - #18

FINISH

- PAINT FINISH: BEN MOORE - WHITE DOVE, SATIN
- STONE: 3CM THICK - BY OTHERS

NO.	DESCRIPTION	DATE

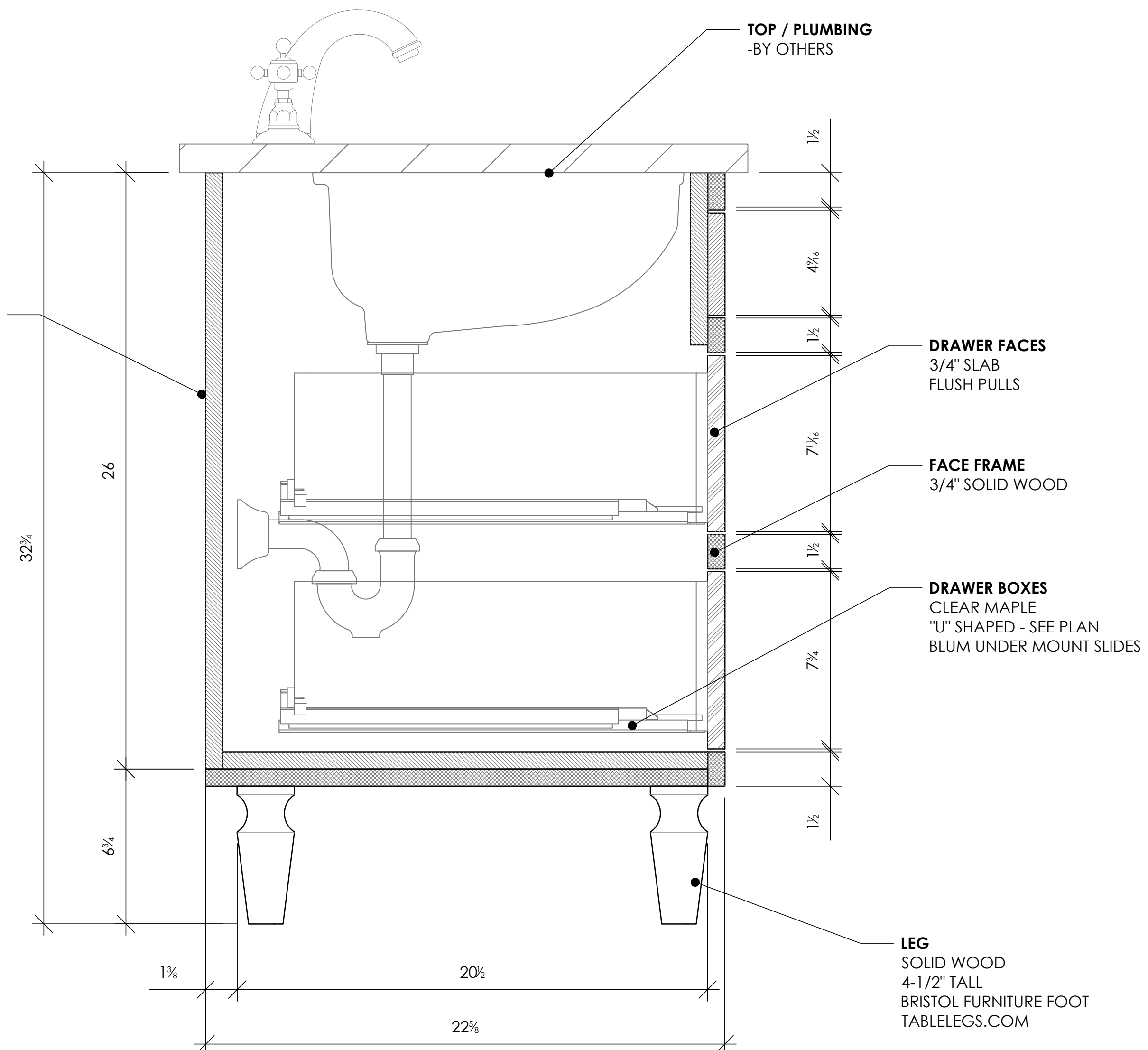
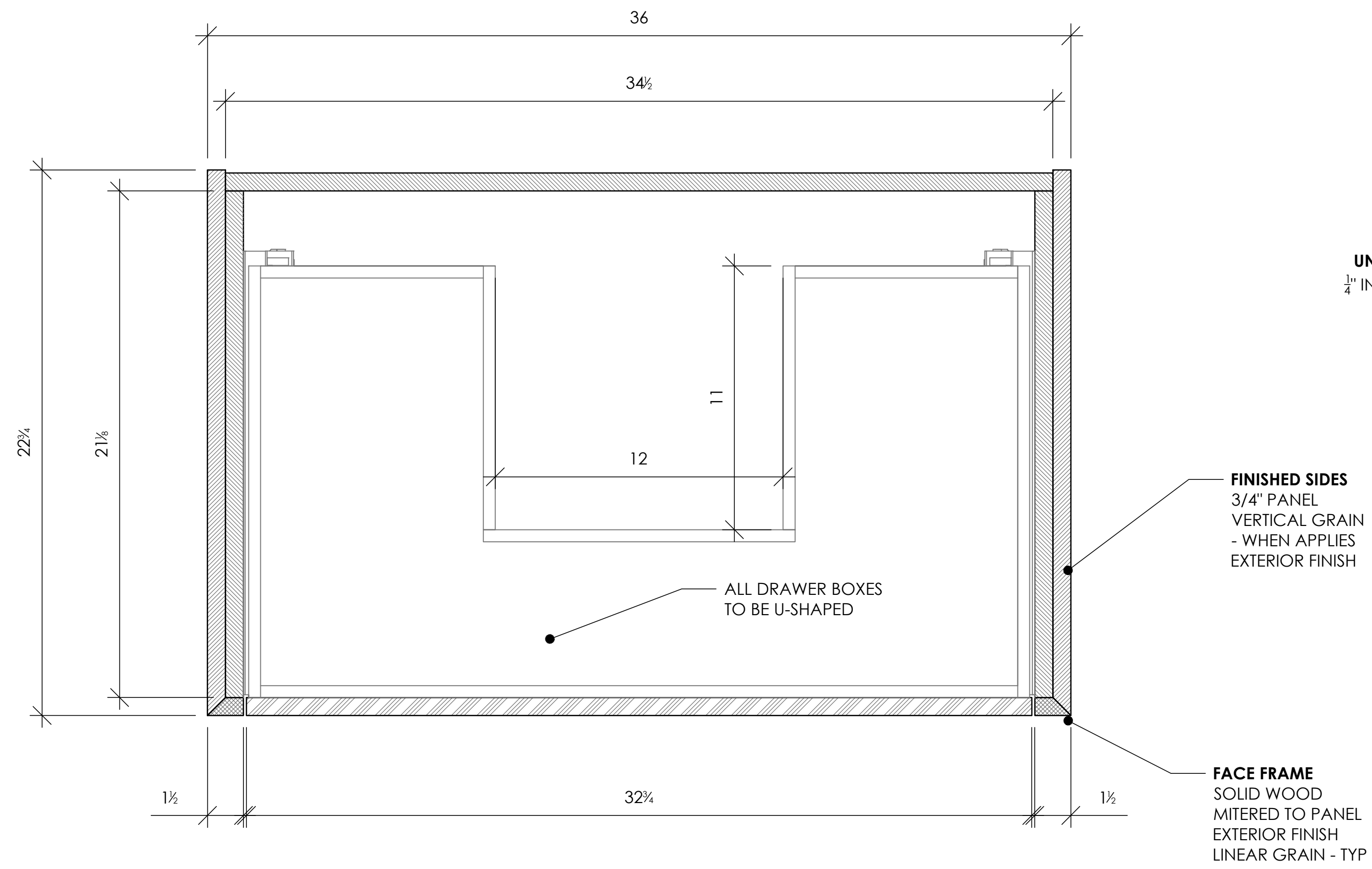
THE EVIE

**36"
DETAILS**

DATE:	11.09.23
DRAFTED BY:	B.WILEY
CHECKED BY:	J.GREEN

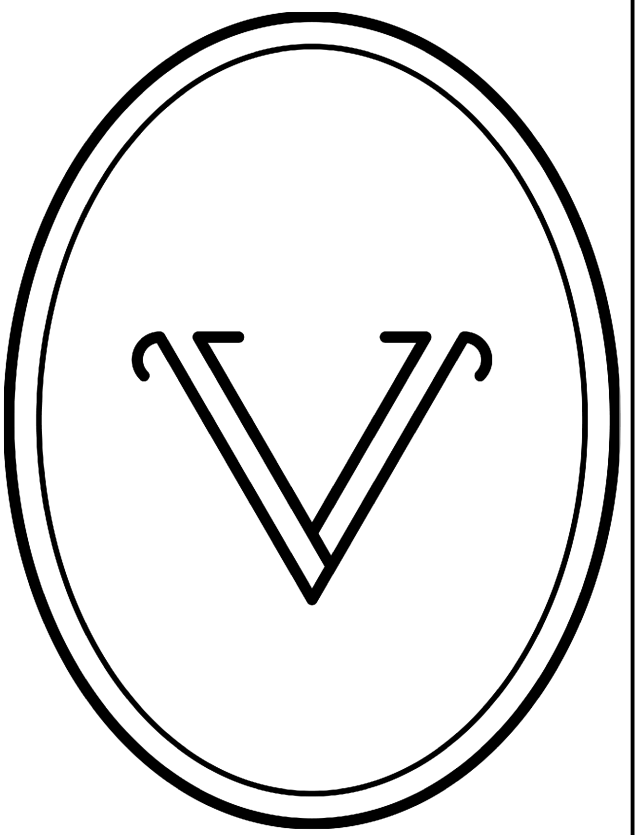
2 OF 3

SCALE: AS NOTED





1 THE EVIE - 30"
ISOMETRIC SCALE: NTS



**VANITY
& CO.**

26 CHURCH STREET
WELLESLEY, MA 02482

MATERIALS

3/4", 1" MOISTURE RESISTANT MDF
WHITE OAK OR PAINT GR MAPLE
1/2", 3/4" PREFINISHED MAPLE PLYWOOD
CLEAR FINISH DOVETAILED MAPLE DRAWER BOX
OAK OR PAINT GR TURNED LEGS

HARDWARE

2 SETS BLUM 563H UNDERMOUNT SOFT CLOSE
DRAWER SLIDES
2 EA BAIL PULLS: CLASSIC BRASS #6035, 3-1/2"
2 EA BAIL PULLS: CLASSIC BRASS #6050, 5"
1 EA KNOB: CLASSIC BRASS #1047, FINISH TBD
4 EA KEYHOLE ESCUTCHEONS, HORTON BRASS
#FE-S, POLISHED NICKEL
2 EA STEM LEVELERS, HAFELE #637.05.308, BLACK
WITH 1/4" #20 T-NUTS
2 EA T-NUTS 5/16" - #18

FINISH

PAINT FINISH: BEN MOORE - WHITE DOVE, SATIN
STONE: 3CM THICK - BY OTHERS

NO.	DESCRIPTION	DATE

THE EVIE

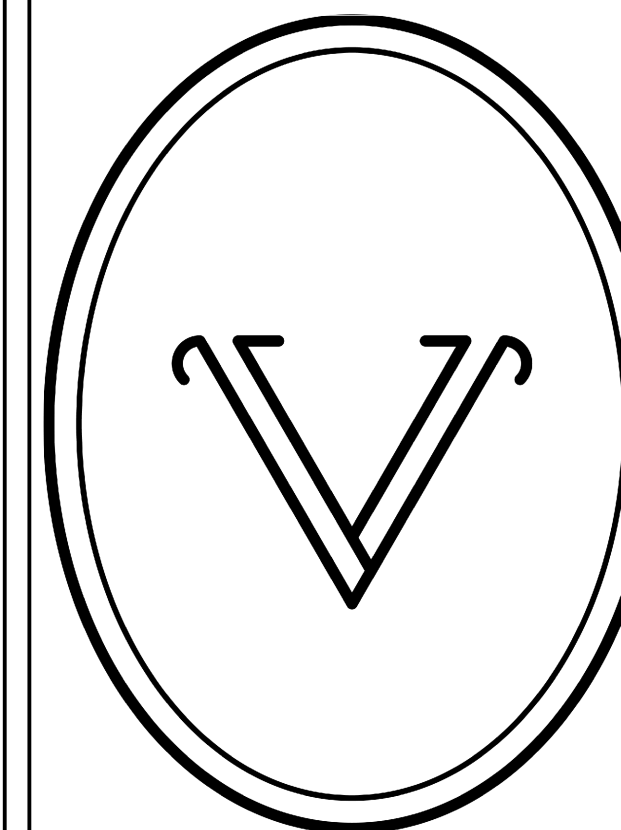
36"
ISOMETRIC

DATE: 11.09.23
DRAFTED BY: B.WILEY
CHECKED BY: J.GREEN

3 OF 3

SCALE: AS NOTED

PATENT PENDING



VANITY & CO.

26 CHURCH STREET
WELLESLEY, MA 02482

MATERIALS

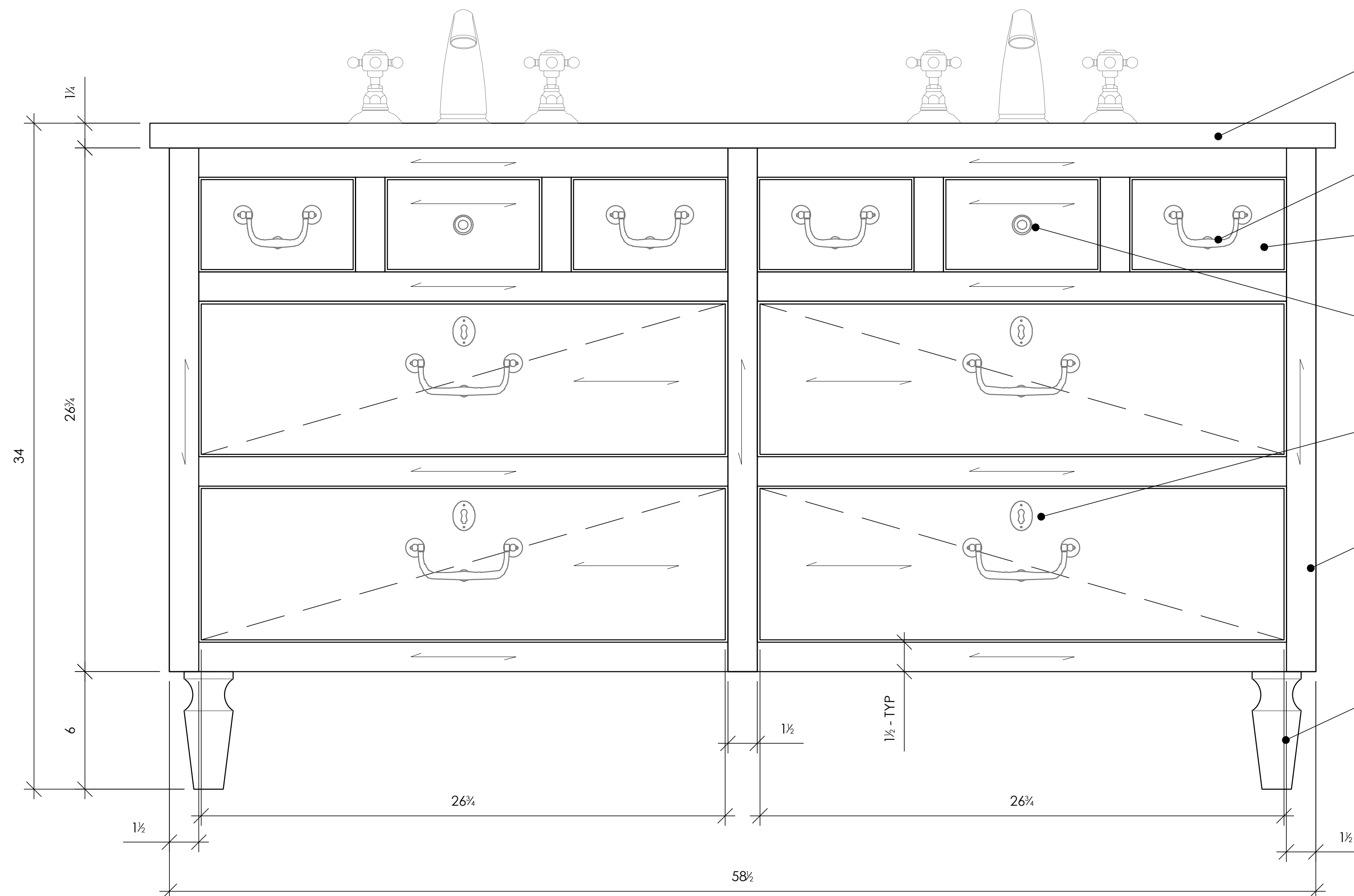
3/4", 1" MOISTURE RESISTANT MDF
WHITE OAK OR PAINT GR MAPLE
1/2", 3/4" PREFINISHED MAPLE PLYWOOD
CLEAR FINISH DOVETAILED MAPLE DRAWER BOX
OAK OR PAINT GR TURNED LEGS

HARDWARE

4 SETS BLUM 563H UNDERMOUNT SOFT CLOSE DRAWER SLIDES
4 EA BAIL PULLS: CLASSIC BRASS #6035, 3-1/2"
4 EA BAIL PULLS: CLASSIC BRASS #6050, 5"
2 EA KNOB: CLASSIC BRASS #1047, FINISH TBD
8 EA KEYHOLE ESCUTCHEONS, HORTON BRASS #FE-5, POLISHED NICKEL
4 EA STEM LEVELERS, HAFELE #637.05.308, BLACK WITH 1/4" #20 T-NUTS
4 EA T-NUTS 5/16" - #18

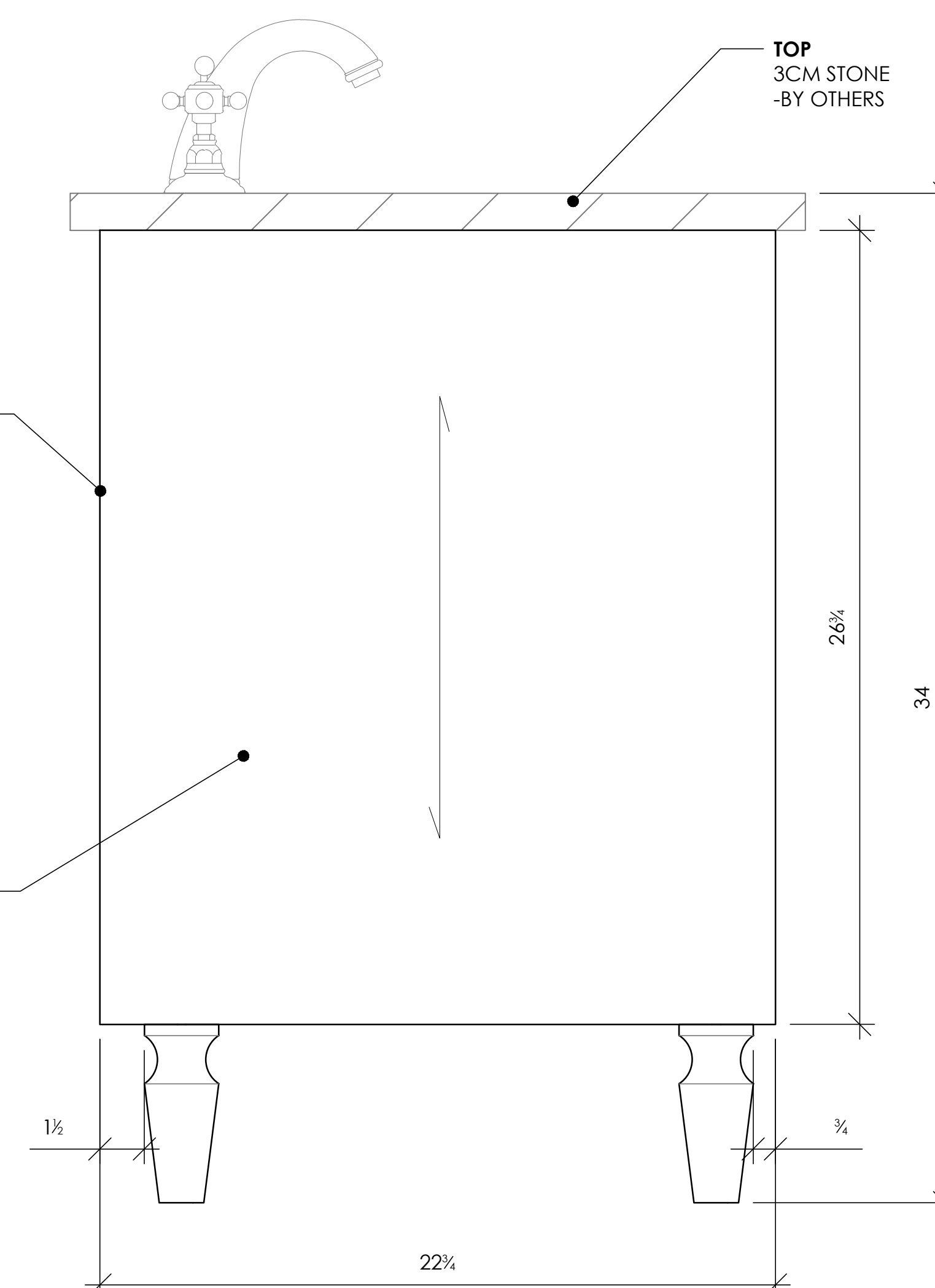
FINISH

PAINT FINISH: BEN MOORE - WHITE DOVE, SATIN
STONE: 3CM THICK - BY OTHERS



1 VANITY FRONT ELEVATION SCALE: 3" = 1"

- TOP
3CM STONE
-BY OTHERS
- PULL
BAIL PULL
- UPPER DRAWERS
FALSE FRONTS
- UNFINISHED BACK
1/4" INSET FROM LEGS
FLAT PANEL
- KNOB
KNOB ON FALSE
FRONT
- FAUX LOCK
LOCK ESCUTCHEON
- FACE FRAME
SOLID WOOD
GRAIN SHOWN
- WHEN APPLIES
- LEG
SOLID WOOD
TURNED
6" TALL



2 VANITY SIDE ELEVATION SCALE: 3" = 1"

NO.	DESCRIPTION	DATE

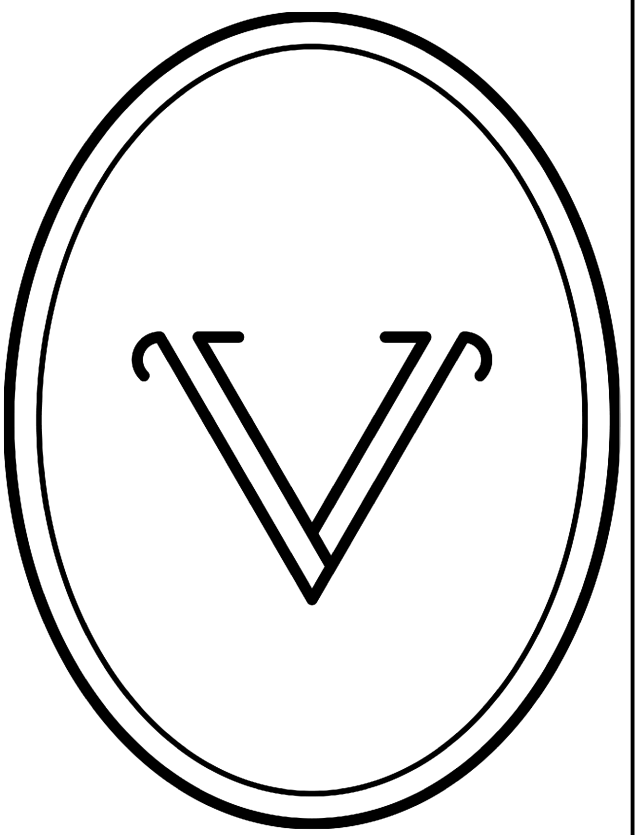
THE EVIE

60"
OVERVIEW

DATE: 08.01.24
DRAFTED BY: B.WILEY
CHECKED BY: J.GREEN

1 OF 3

SCALE: AS NOTED



**VANITY
& CO.**

26 CHURCH STREET
WELLESLEY, MA 02482

MATERIALS

- 3/4", 1" MOISTURE RESISTANT MDF
- WHITE OAK OR PAINT GR MAPLE
- 1/2", 3/4" PREFINISHED MAPLE PLYWOOD
- CLEAR FINISH DOVETAILED MAPLE DRAWER BOX
- OAK OR PAINT GR TURNED LEGS

HARDWARE

- 4 SETS BLUM 563H UNDERMOUNT SOFT CLOSE DRAWER SLIDES
- 4 EA BAIL PULLS: CLASSIC BRASS #6035, 3-1/2"
- 4 EA BAIL PULLS: CLASSIC BRASS #6050, 5"
- 2 EA KNOB: CLASSIC BRASS #1047, FINISH TBD
- 8 EA KEYHOLE ESCUTCHEONS, HORTON BRASS #FE-S, POLISHED NICKEL
- 4 EA STEM LEVELERS, HAFELE #637.05.308, BLACK WITH 1/4" #20 T-NUTS
- 4 EA T-NUTS 5/16" - #18

FINISH

- PAINT FINISH: BEN MOORE - WHITE DOVE, SATIN
- STONE: 3CM THICK - BY OTHERS

NO.	DESCRIPTION	DATE

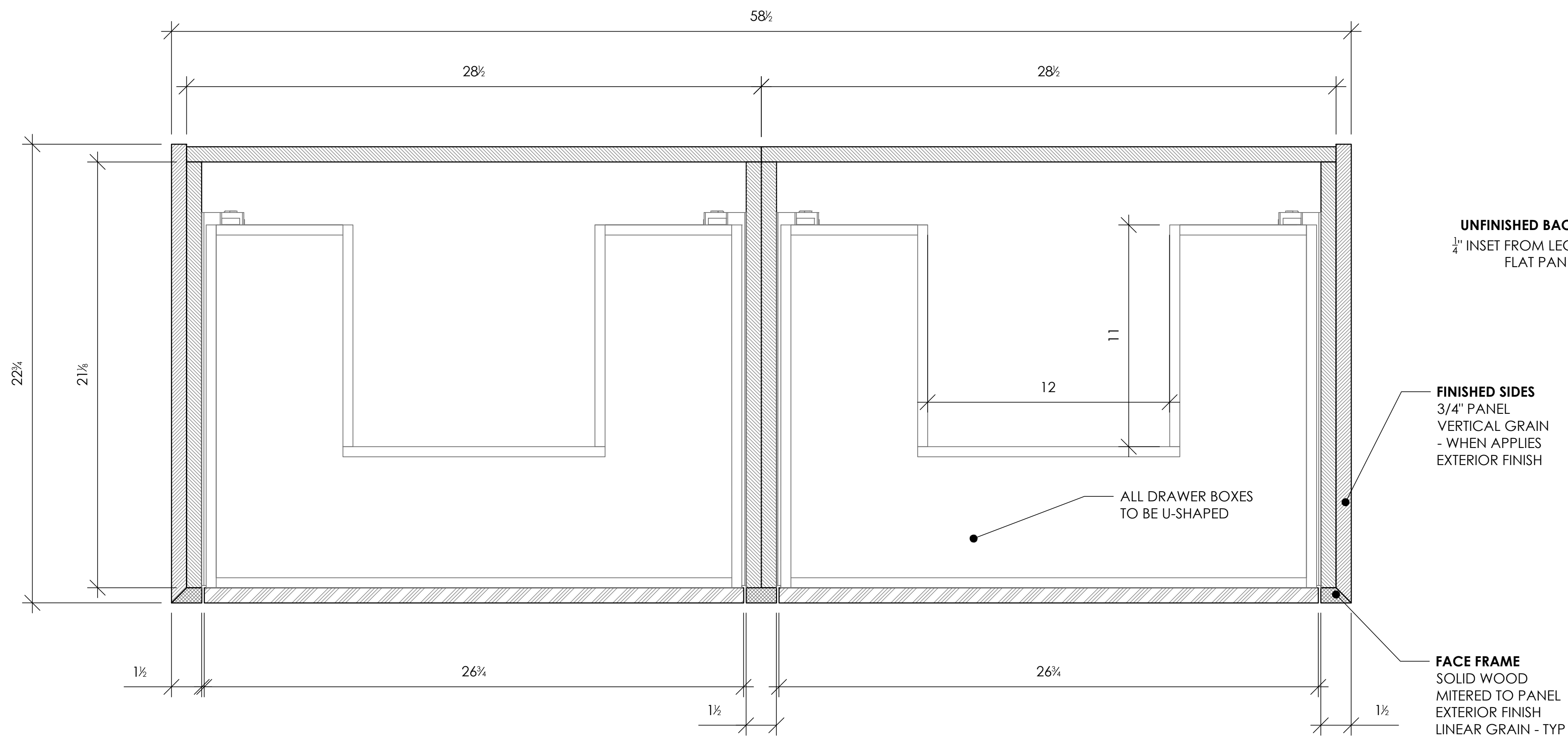
THE EVIE

60"
DETAILS

DATE:	08.01.24
DRAFTED BY:	B.WILEY
CHECKED BY:	J.GREEN

2 OF 3

SCALE: AS NOTED

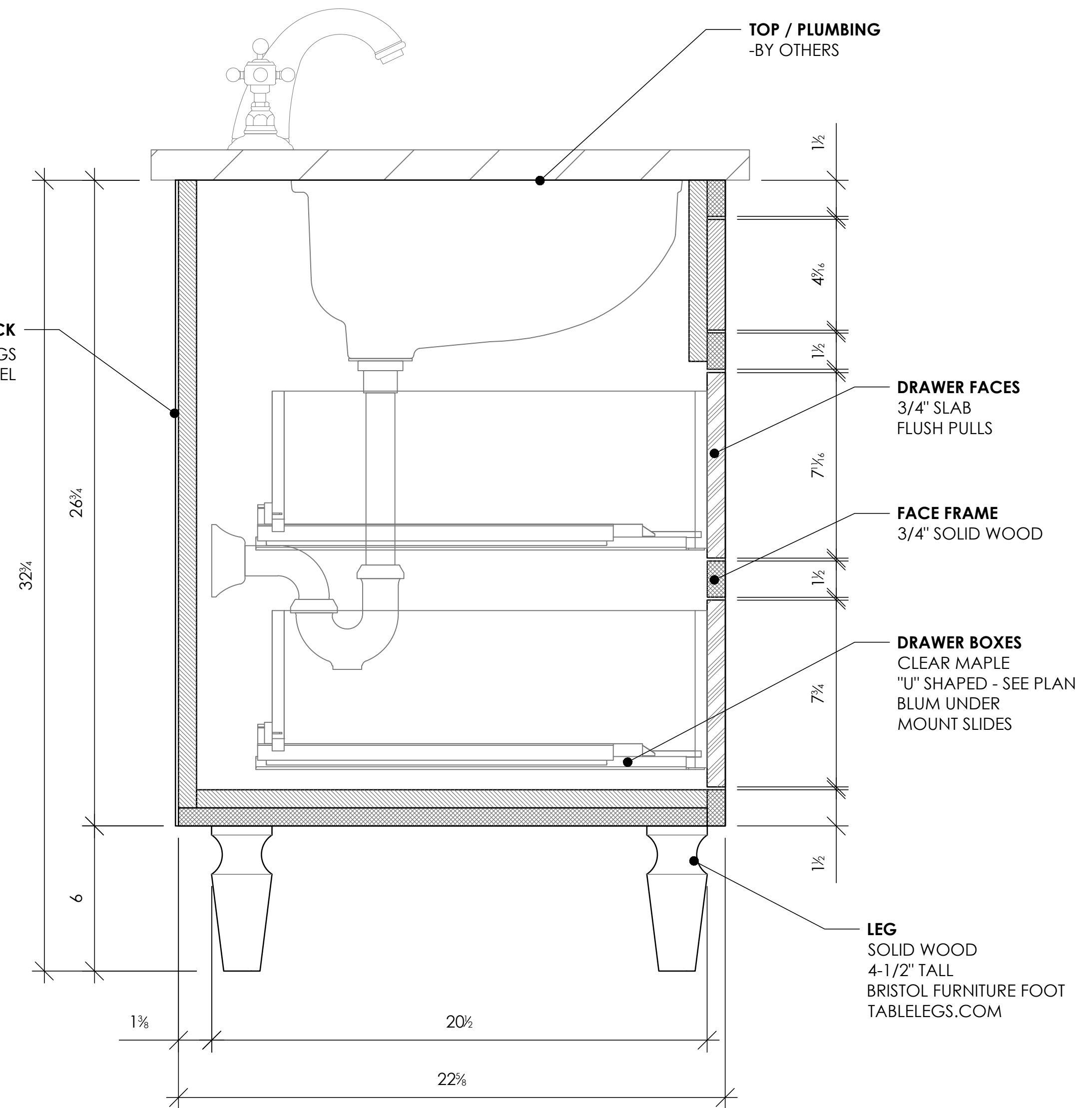


1 VANITY PLAN SCALE: 3" = 1"

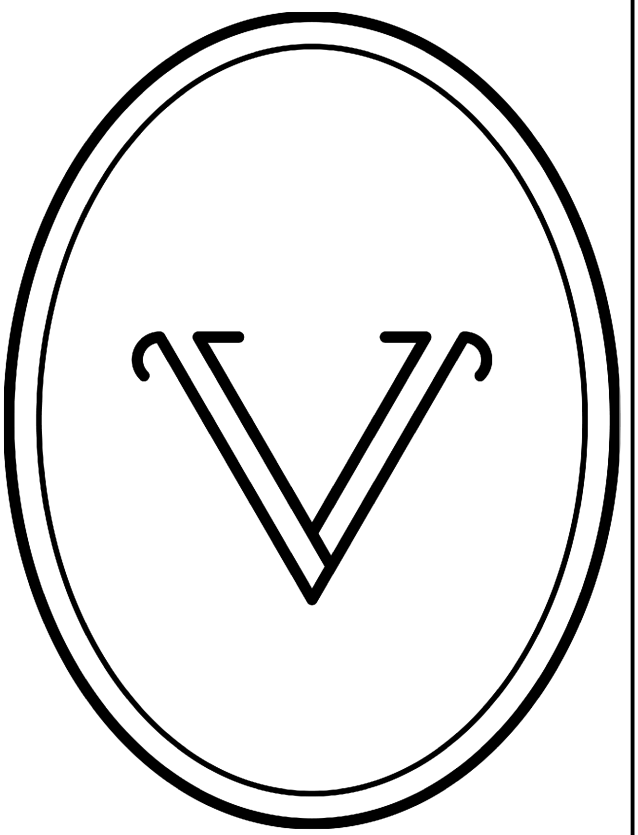
UNFINISHED BACK
1/4" INSET FROM LEGS
FLAT PANEL

FINISHED SIDES
3/4" PANEL
VERTICAL GRAIN
- WHEN APPLIES
EXTERIOR FINISH

FACE FRAME
SOLID WOOD
MITERED TO PANEL
EXTERIOR FINISH
LINEAR GRAIN - TYP



2 VANITY SIDE SECTION SCALE: 3" = 1"



VANITY & CO.

26 CHURCH STREET
WELLESLEY, MA 02482

MATERIALS

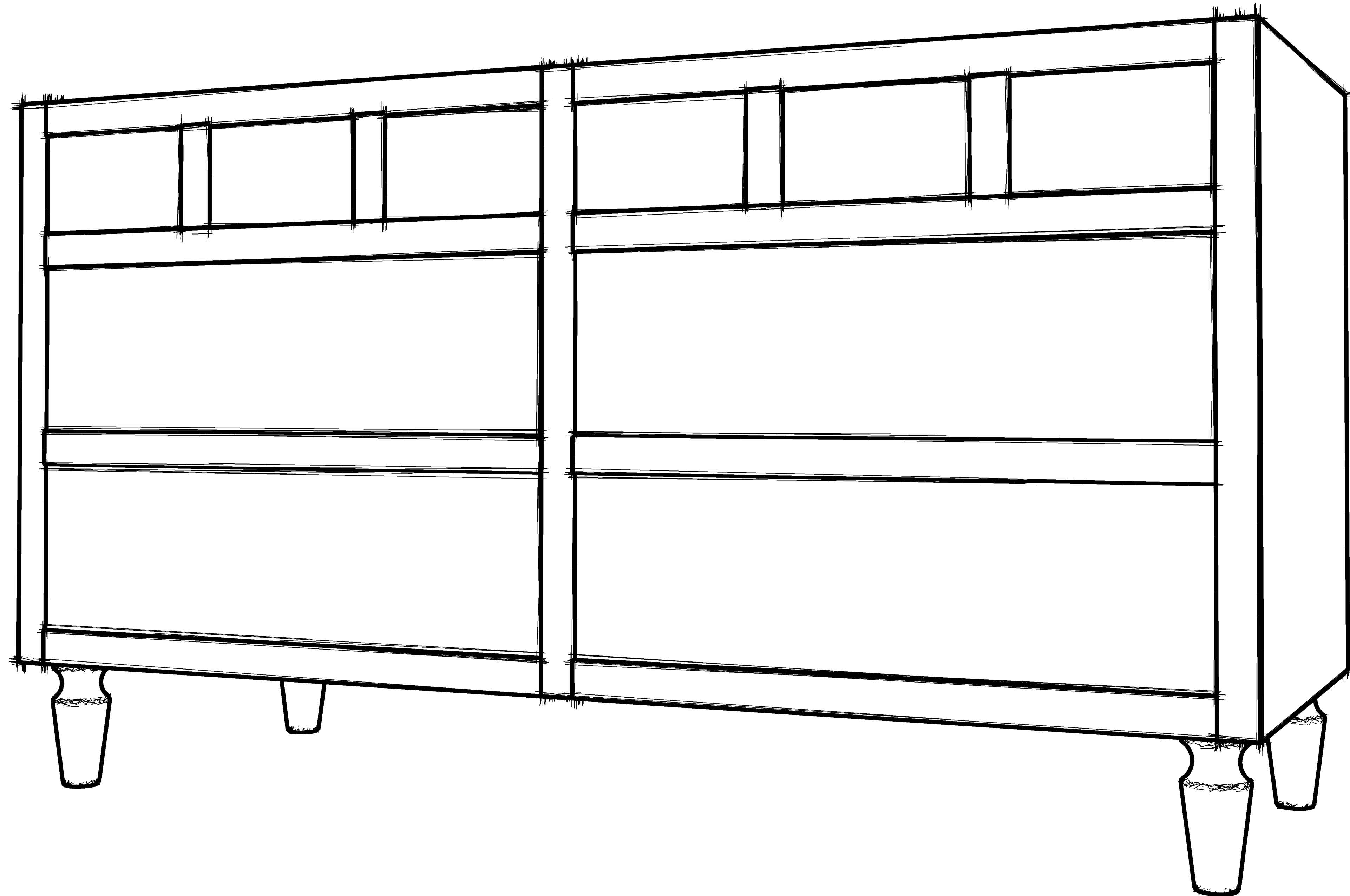
- 3/4", 1" MOISTURE RESISTANT MDF
- WHITE OAK OR PAINT GR MAPLE
- 1/2", 3/4" PREFINISHED MAPLE PLYWOOD
- CLEAR FINISH DOVETAILED MAPLE DRAWER BOX
- OAK OR PAINT GR TURNED LEGS

HARDWARE

- 4 SETS BLUM 563H UNDERMOUNT SOFT CLOSE DRAWER SLIDES
- 4 EA BAIL PULLS: CLASSIC BRASS #6035, 3-1/2"
- 4 EA BAIL PULLS: CLASSIC BRASS #6050, 5"
- 2 EA KNOB: CLASSIC BRASS #1047, FINISH TBD
- 8 EA KEYHOLE ESCUTCHEONS, HORTON BRASS #FE-S, POLISHED NICKEL
- 4 EA STEM LEVELERS, HAFELE #637.05.308, BLACK WITH 1/4" #20 T-NUTS
- 4 EA T-NUTS 5/16" - #18

FINISH

- PAINT FINISH: BEN MOORE - WHITE DOVE, SATIN
- STONE: 3CM THICK - BY OTHERS



NO.	DESCRIPTION	DATE

THE EVIE

60"
ISOMETRIC

DATE: 08.01.24
 DRAFTED BY: B.WILEY
 CHECKED BY: J.GREEN

3 OF 3

SCALE: AS NOTED

1 THE EVIE - 60"
ISOMETRIC SCALE: NTS