

**VANITY
& CO.**

26 CHURCH STREET
WELLESLEY, MA 02482

MATERIALS

3/4", 1" MOISTURE RESISTANT MDF
WHITE OAK OR PAINT GR MAPLE
1/2", 3/4" PREFINISHED MAPLE PLYWOOD
SOLID OAK OR PAINT GR TURNED WOOD LEGS

HARDWARE

4 EA HINGES: BLUM EURO HINGES - SOFT CLOSE
2 EA KNOBS: ARMAC MARTIN COTSWOLD #COTK/BUN POLISHED UNLACQUERED BRASS, PROVIDED BY OTHERS
1 EA CUPBOARD LATCH: HORTON BRASS #SL-6, POLISHED UNLACQUERED BRASS, PROVIDED BY OTHERS
4 EA STEM LEVELERS, HAFELE #637.05.308, BLACK WITH 1/4" #20 T-NUTS
4 EA HANGER BOLTS - 5/16"-#18
4 EA T-NUTS - 5/16"-#18

FINISH

PAINT FINISH: BEN MOORE - WHITE DOVE, SATIN
POLISHED UNLACQUERED BRASS
STONE: 3CM THICK - BY OTHERS

NO.	DESCRIPTION	DATE

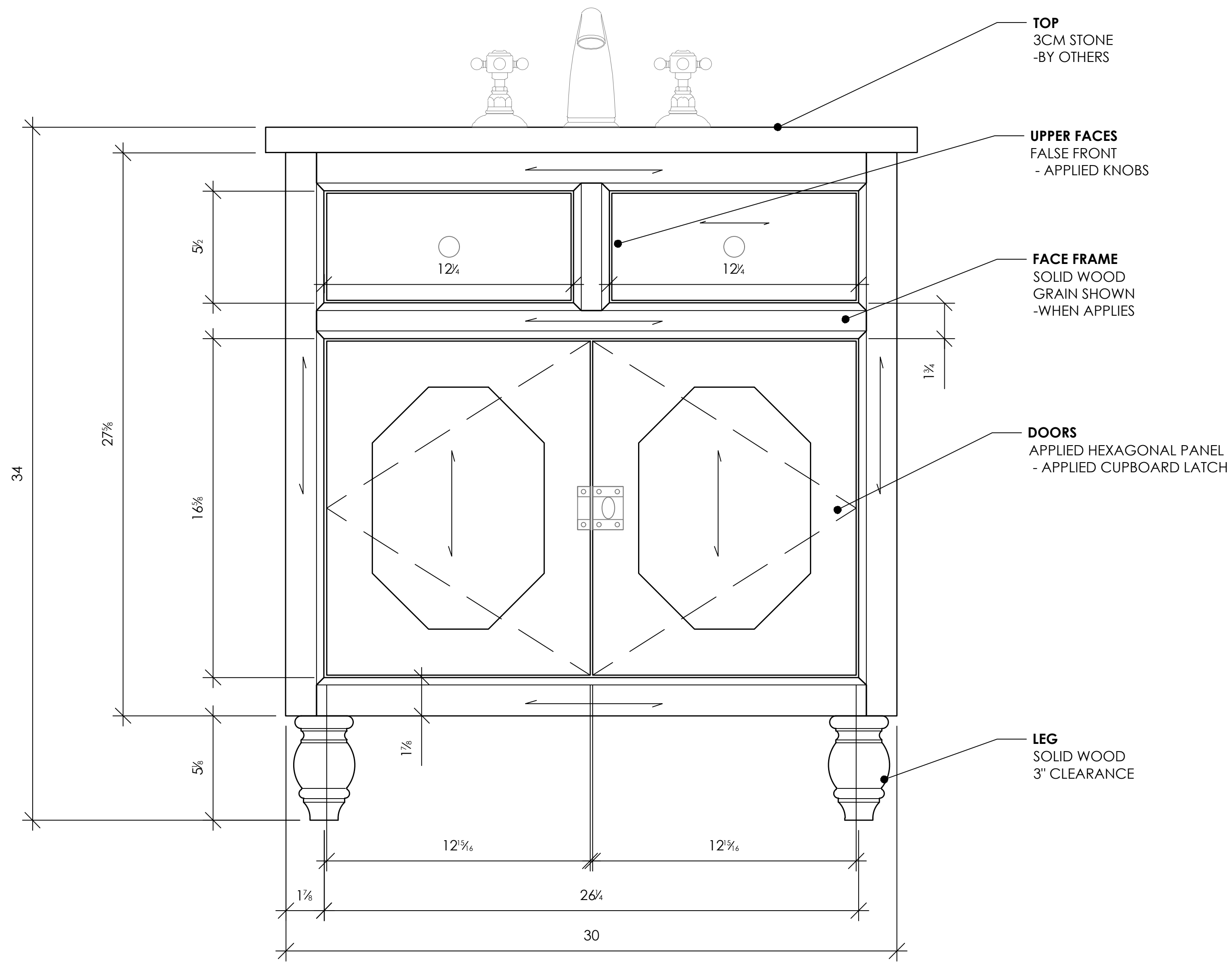
THE HARPER

30"
OVERVIEW

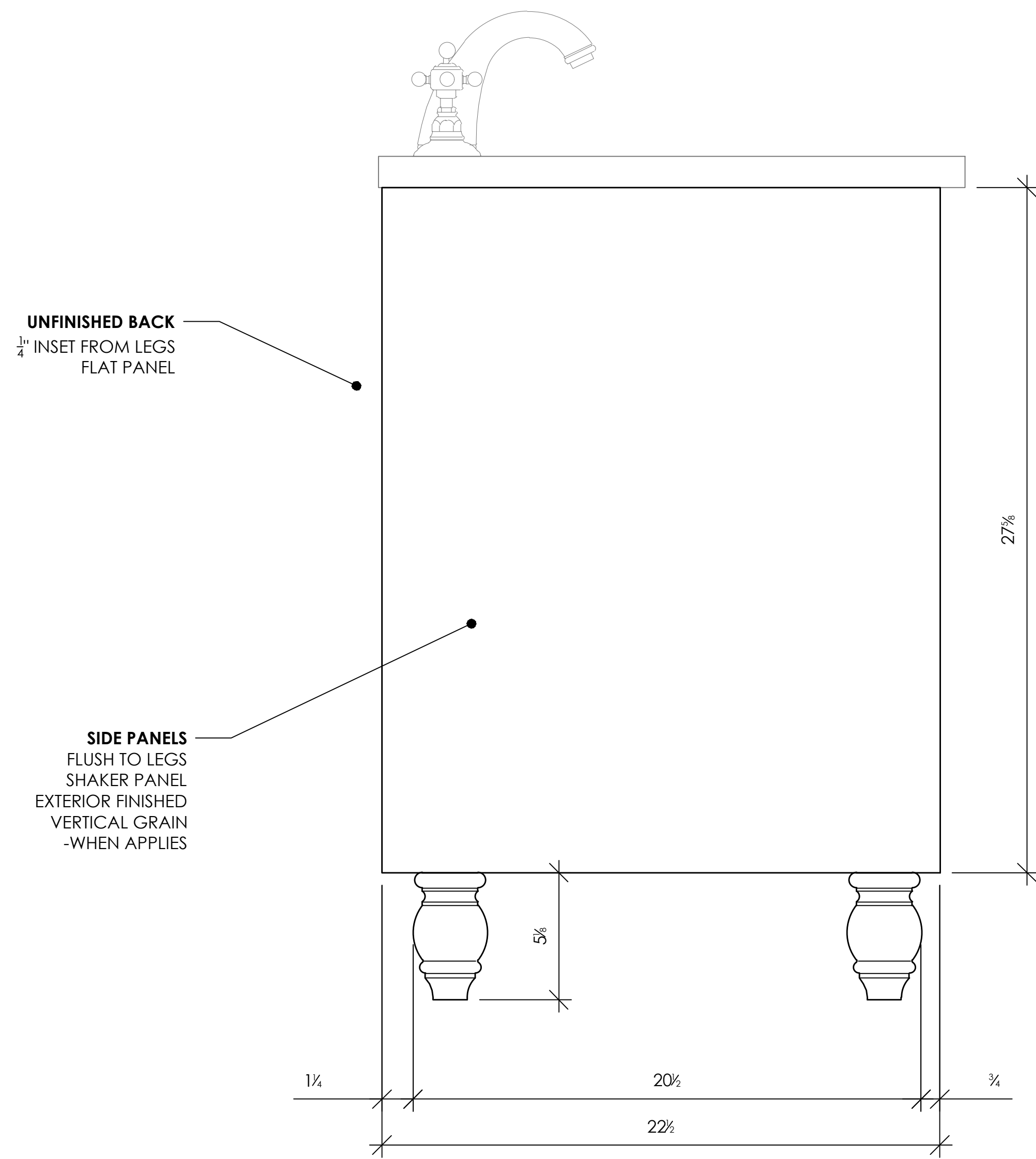
DATE: 11.09.23
DRAFTED BY: B.WILEY
CHECKED BY: J.GREEN

1 OF 3

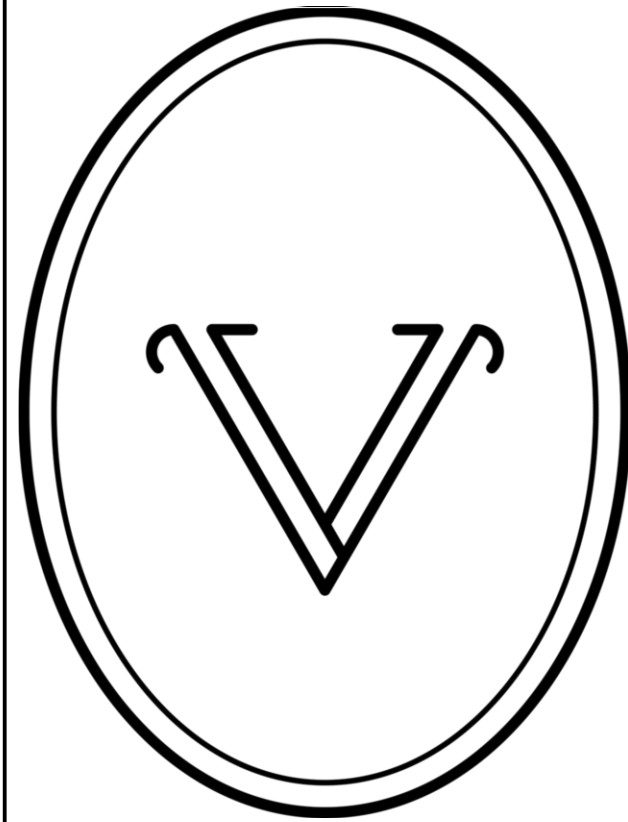
SCALE: AS NOTED



1 VANITY FRONT ELEVATION SCALE: 3" = 1"



2 VANITY SIDE ELEVATION SCALE: 3" = 1"



VANITY & CO.

26 CHURCH STREET
WELLESLEY, MA 02482

MATERIALS

3/4", 1" MOISTURE RESISTANT MDF
WHITE OAK OR PAINT GR MAPLE
1/2", 3/4" PREFINISHED MAPLE PLYWOOD
SOLID OAK OR PAINT GR TURNED WOOD LEGS

HARDWARE

4 EA. HINGES: BLUM EURO HINGES - SOFT CLOSE
2 EA. KNOBS: ARMAC MARTIN COTSWOLD #COTK/BUN POLISHED UNLACQUERED BRASS, PROVIDED BY OTHERS
1 EA. CUPBOARD LATCH: HORTON BRASS #SL-6, POLISHED UNLACQUERED BRASS, PROVIDED BY OTHERS
4 EA. STEM LEVELERS, HAFELE #637.05.308, BLACK WITH 1/4" #20 T-NUTS
4 EA. HANGER BOLTS - 5/16"-#18
4 EA. T-NUTS - 5/16"-#18

FINISH

PAINT FINISH: BEN MOORE - WHITE DOVE, SATIN
POLISHED UNLACQUERED BRASS
STONE: 3CM THICK - BY OTHERS

NO.	DESCRIPTION	DATE

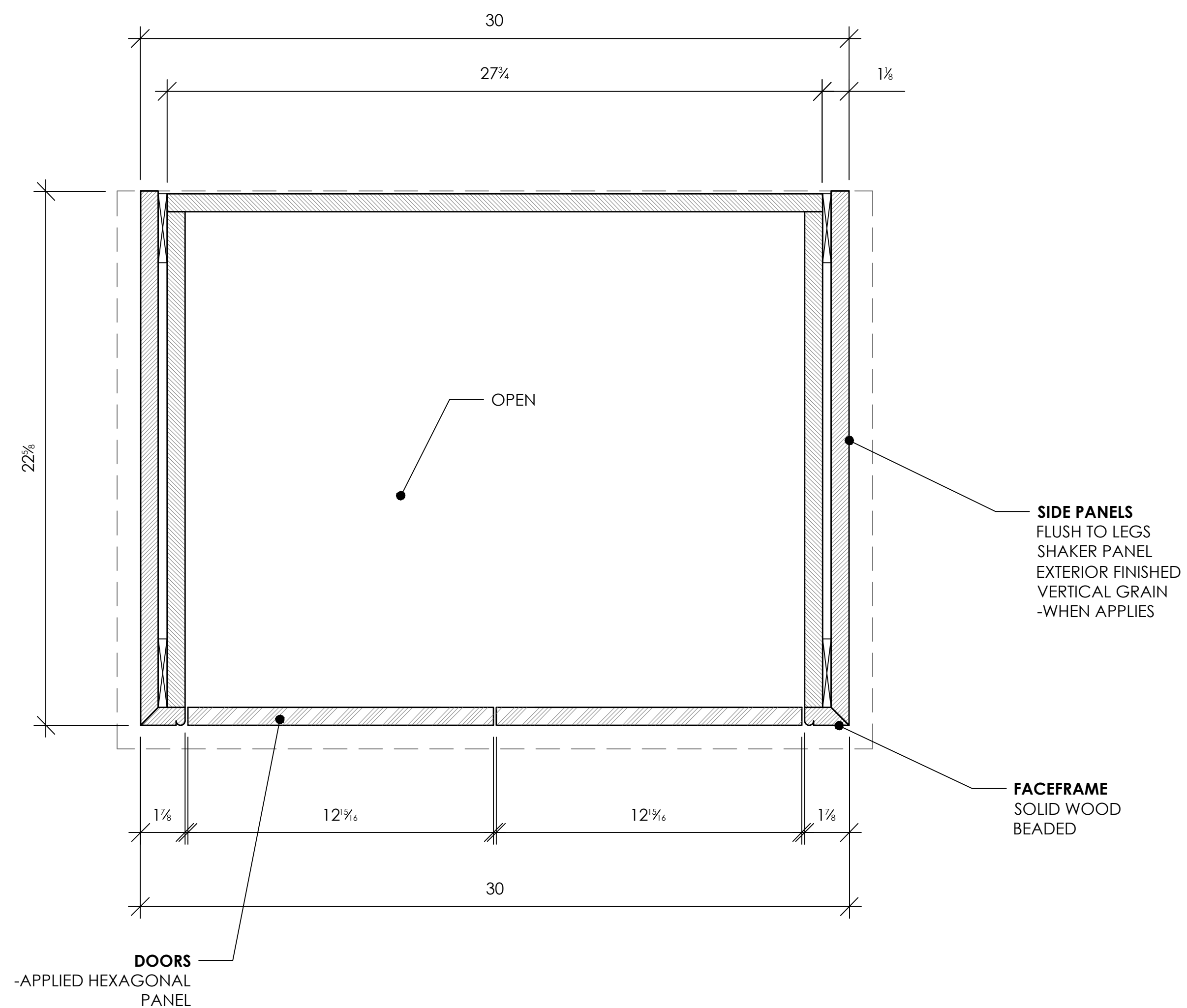
THE HARPER

30"
DETAILS

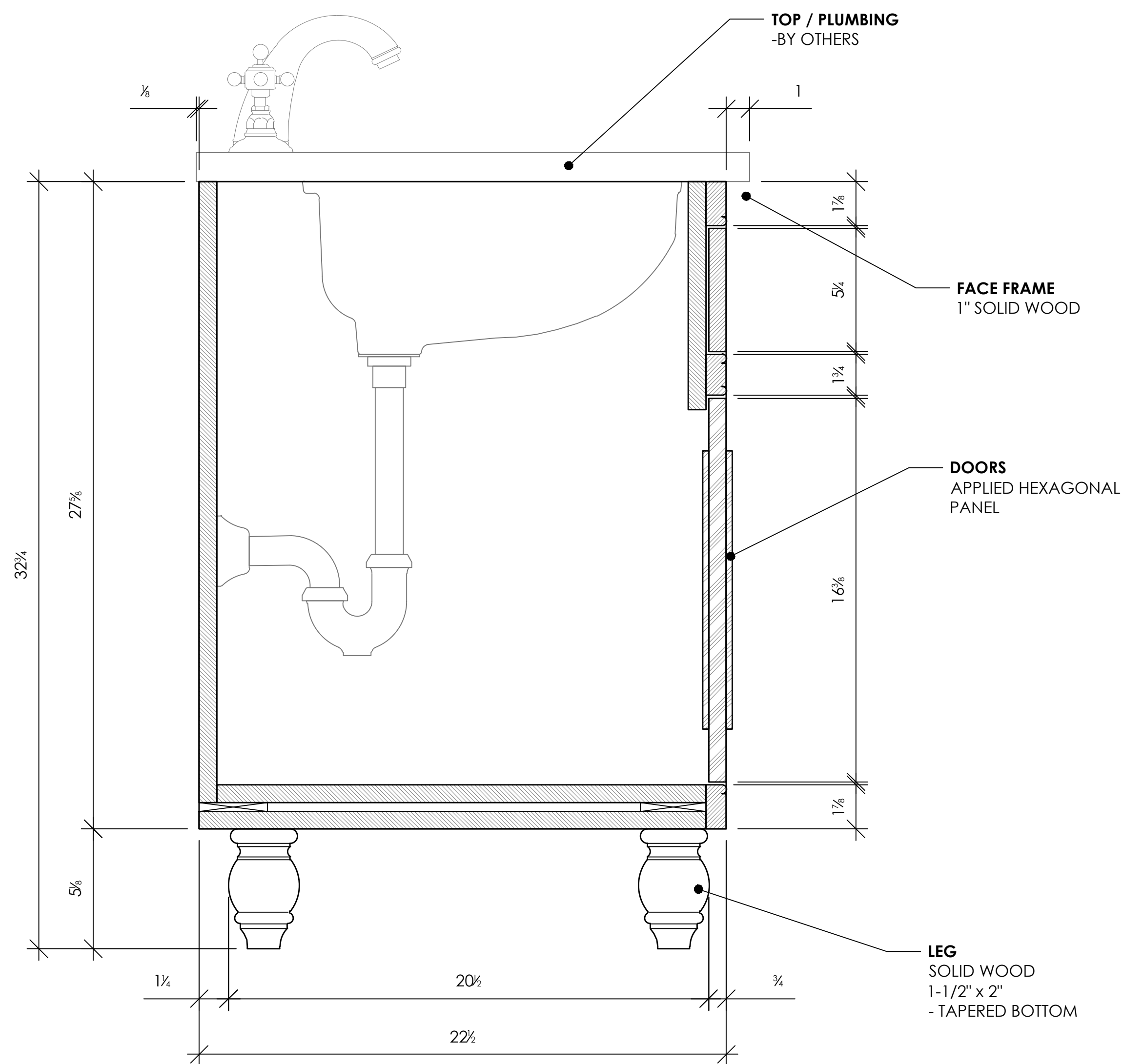
DATE: 11.09.23
DRAFTED BY: B.WILEY
CHECKED BY: J.GREEN

2 OF 3

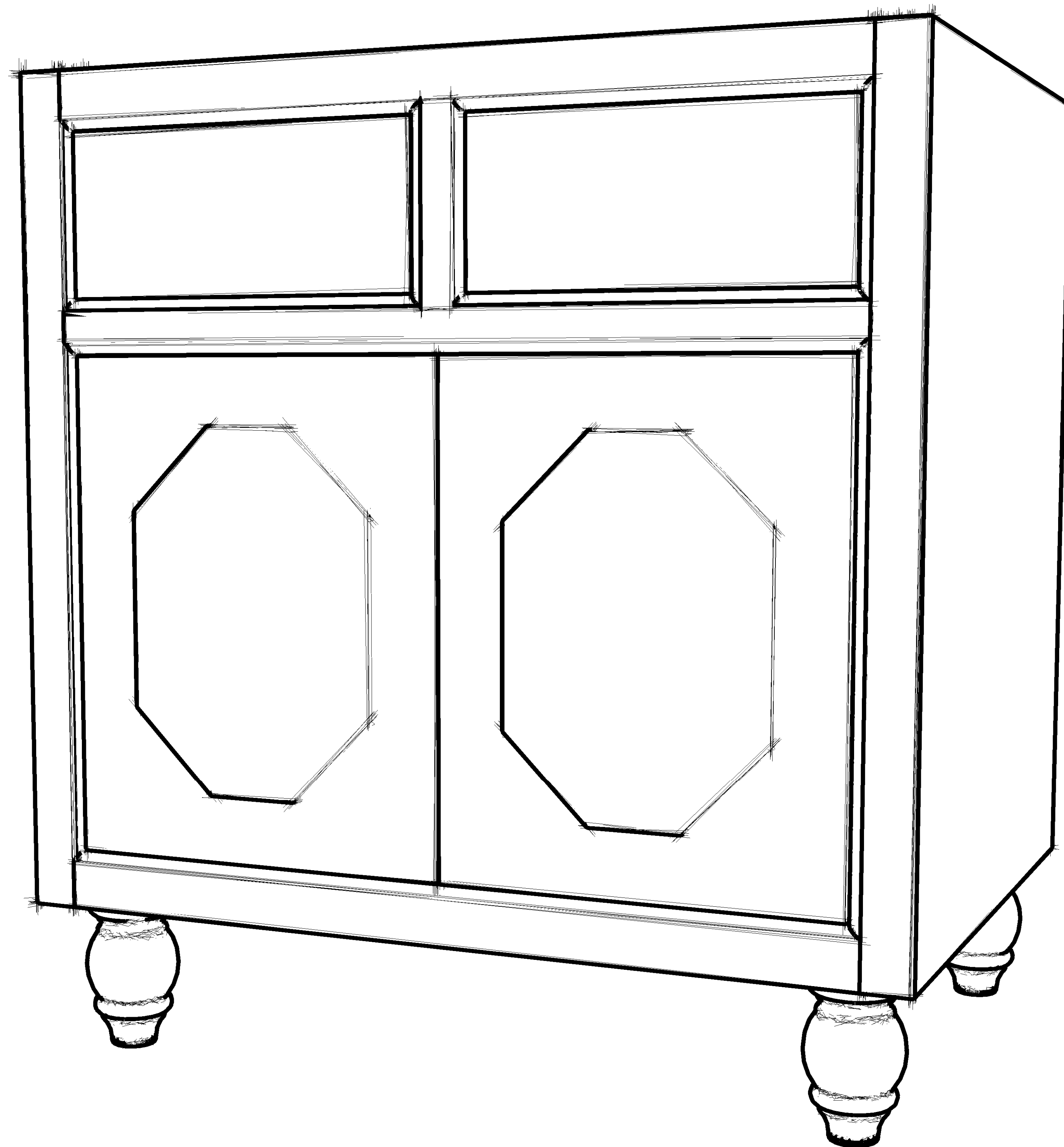
SCALE: AS NOTED



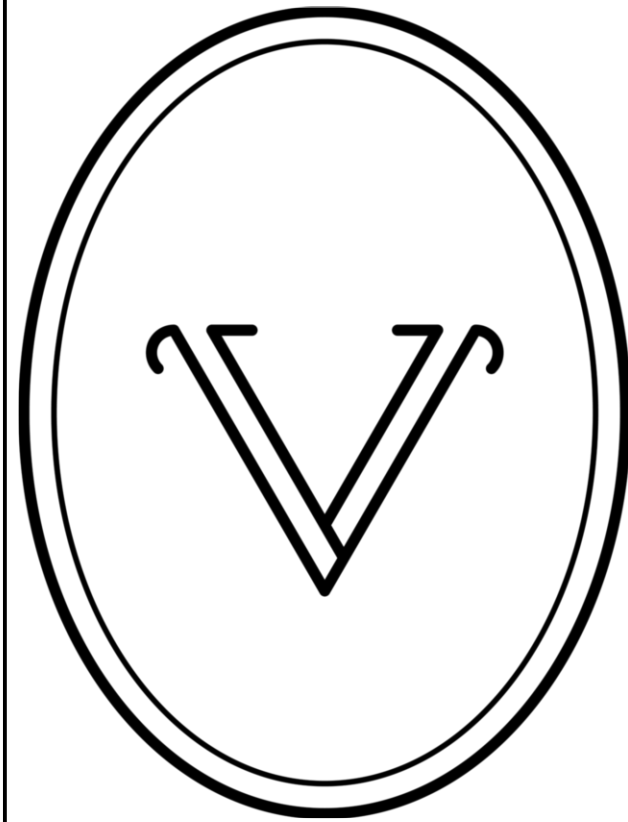
1 VANITY PLAN SCALE: 3" = 1"



2 VANITY SIDE SECTION SCALE: 3" = 1"



1 THE ANNA - 30"
ISOMETRIC SCALE: NTS



**VANITY
& CO.**

26 CHURCH STREET
WELLESLEY, MA 02482

MATERIALS

3/4", 1" MOISTURE RESISTANT MDF
WHITE OAK OR PAINT GR MAPLE
1/2", 3/4" PREFINISHED MAPLE PLYWOOD
SOLID OAK OR PAINT GR TURNED WOOD LEGS

HARDWARE

4 EA HINGES: BLUM EURO HINGES - SOFT CLOSE
2 EA KNOBS: ARMAC MARTIN COTSWOLD
#COTK/BUN POLISHED UNLACQUERED
BRASS, PROVIDED BY OTHERS
1 EA CUPBOARD LATCH: HORTON BRASS #SL-6,
POLISHED UNLACQUERED BRASS,
PROVIDED BY OTHERS
4 EA STEM LEVELERS, HAFELE #637.05.308, BLACK
WITH 1/4" #20 T-NUTS
4 EA HANGER BOLTS - 5/16"-#18
4 EA T-NUTS - 5/16"-#18

FINISH

PAINT FINISH: BEN MOORE - WHITE DOVE, SATIN
POLISHED UNLACQUERED BRASS
STONE: 3CM THICK - BY OTHERS

NO.	DESCRIPTION	DATE

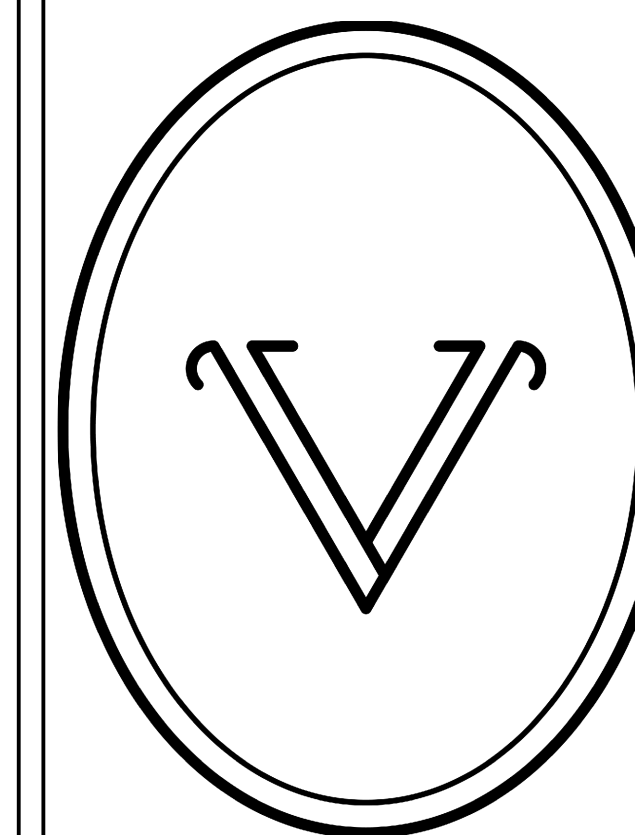
THE HARPER

30"
ISOMETRIC

DATE: 11.09.23
DRAFTED BY: B.WILEY
CHECKED BY: J.GREEN

3 OF 3

SCALE: AS NOTED



VANITY & CO.

26 CHURCH STREET
WELLESLEY, MA 02482

MATERIALS

3/4", 1" MOISTURE RESISTANT MDF
WHITE OAK OR PAINT GR MAPLE
1/2", 3/4" PREFINISHED MAPLE PLYWOOD
SOLID OAK OR PAINT GR TURNED WOOD LEGS

HARDWARE

4 EA HINGES: BLUM EURO HINGES - SOFT CLOSE
2 EA KNOBS: ARMAC MARTIN COTSWOLD #COTK/BUN POLISHED UNLACQUERED BRASS, PROVIDED BY OTHERS
1 EA CUPBOARD LATCH: HORTON BRASS #SL-6, POLISHED UNLACQUERED BRASS, PROVIDED BY OTHERS
4 EA STEM LEVELERS, HAFELE #637.05.308, BLACK WITH 1/4" #20 T-NUTS
4 EA HANGER BOLTS - 5/16"-#18
4 EA T-NUTS - 5/16"-#18

FINISH

PAINT FINISH: BEN MOORE - WHITE DOVE, SATIN
POLISHED UNLACQUERED BRASS
STONE: 3CM THICK - BY OTHERS

NO.	DESCRIPTION	DATE

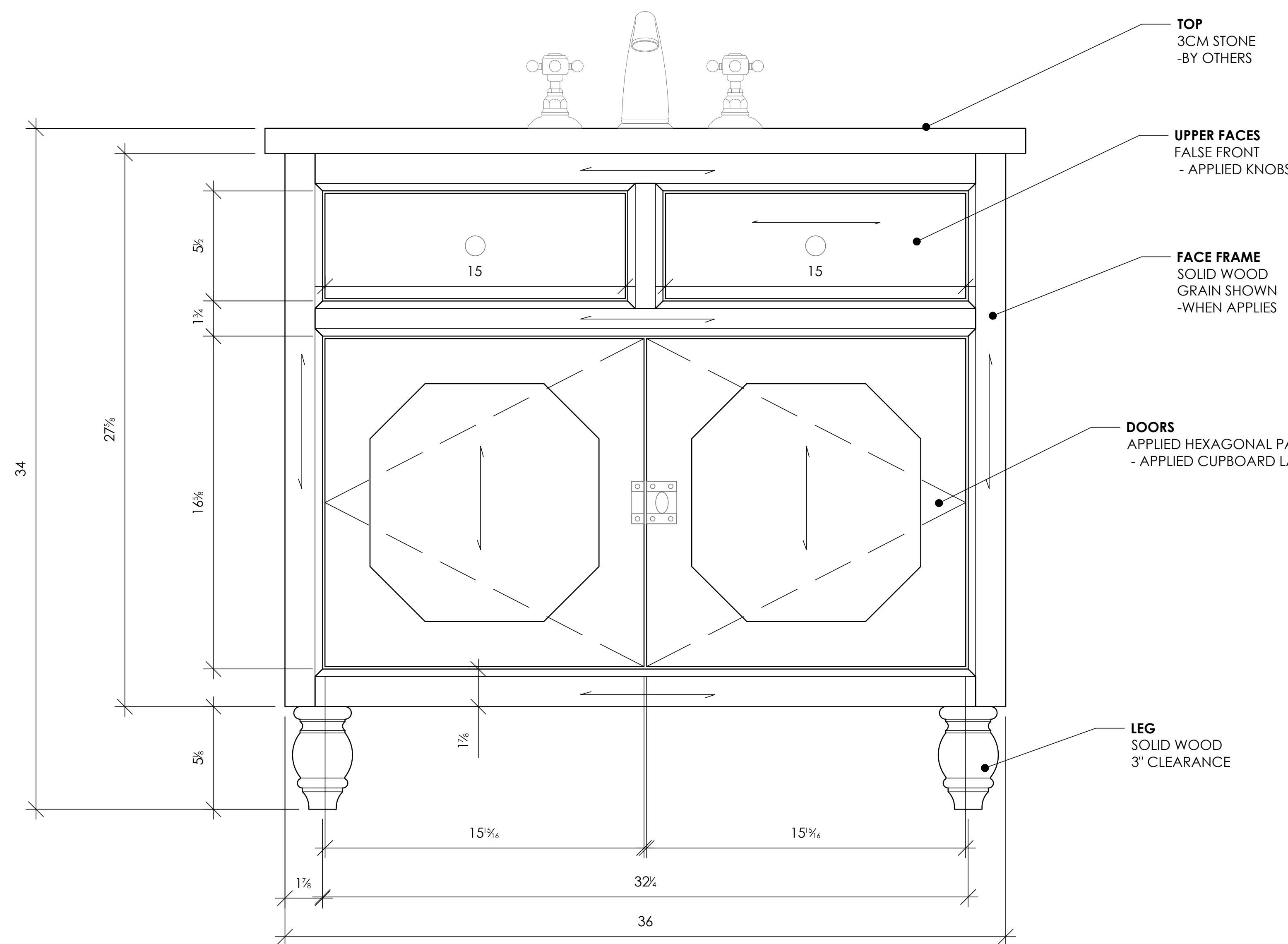
THE HARPER

36"
OVERVIEW

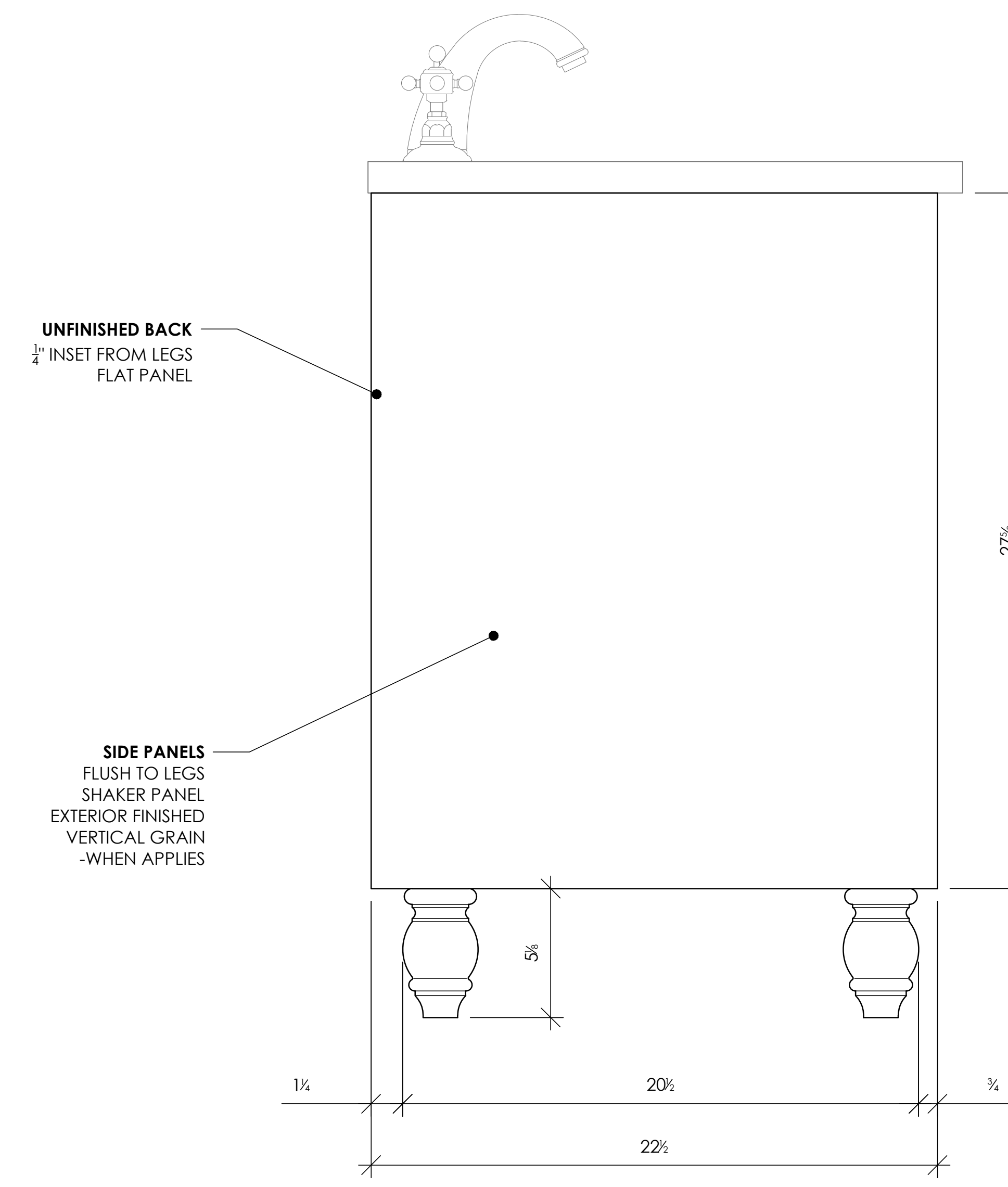
DATE: 08.01.24
DRAFTED BY: B.WILEY
CHECKED BY: J.GREEN

1 OF 3

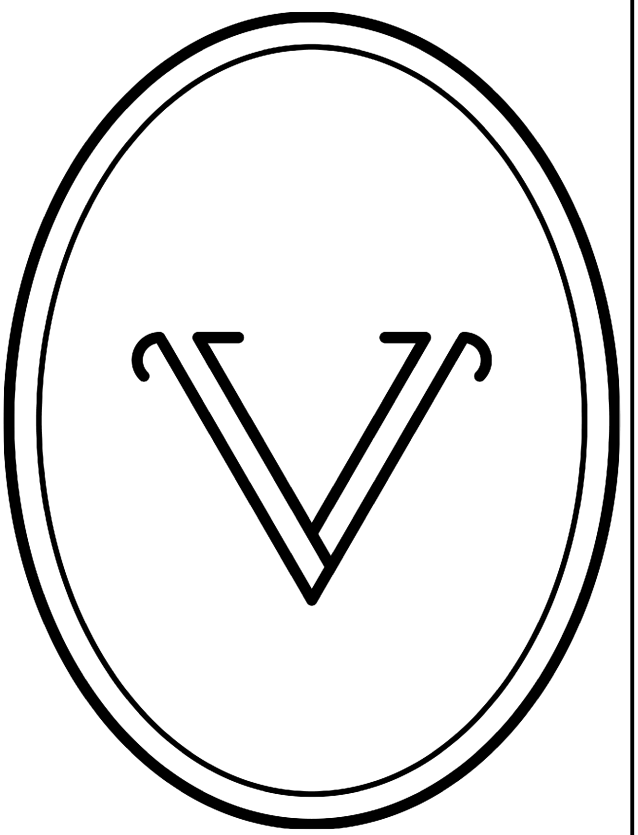
SCALE: AS NOTED



1 VANITY FRONT ELEVATION SCALE: 3" = 1'



2 VANITY SIDE ELEVATION SCALE: 3" = 1'



VANITY & CO.

26 CHURCH STREET
WELLESLEY, MA 02482

MATERIALS

3/4", 1" MOISTURE RESISTANT MDF
WHITE OAK OR PAINT GR MAPLE
1/2", 3/4" PREFINISHED MAPLE PLYWOOD
SOLID OAK OR PAINT GR TURNED WOOD LEGS

HARDWARE

4 EA HINGES: BLUM EURO HINGES - SOFT CLOSE
2 EA KNOBS: ARMAC MARTIN COTSWOLD #COTK/BUN POLISHED UNLACQUERED BRASS, PROVIDED BY OTHERS
1 EA CUPBOARD LATCH: HORTON BRASS #SL-6, POLISHED UNLACQUERED BRASS, PROVIDED BY OTHERS
4 EA STEM LEVELERS, HAFELE #637.05.308, BLACK WITH 1/4" #20 T-NUTS
4 EA HANGER BOLTS - 5/16"-#18
4 EA T-NUTS - 5/16"-#18

FINISH

PAINT FINISH: BEN MOORE - WHITE DOVE, SATIN
POLISHED UNLACQUERED BRASS
STONE: 3CM THICK - BY OTHERS

NO.	DESCRIPTION	DATE

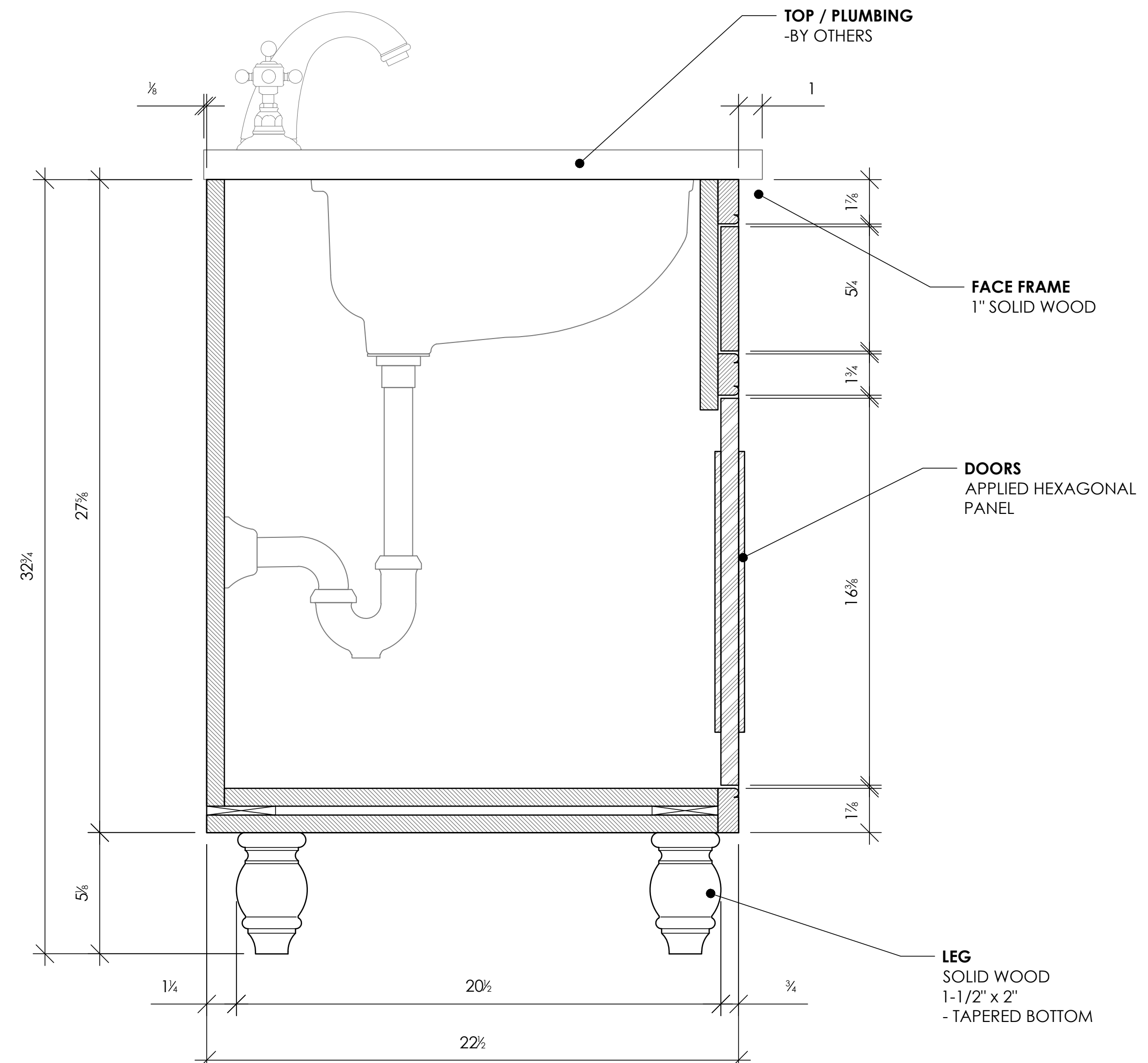
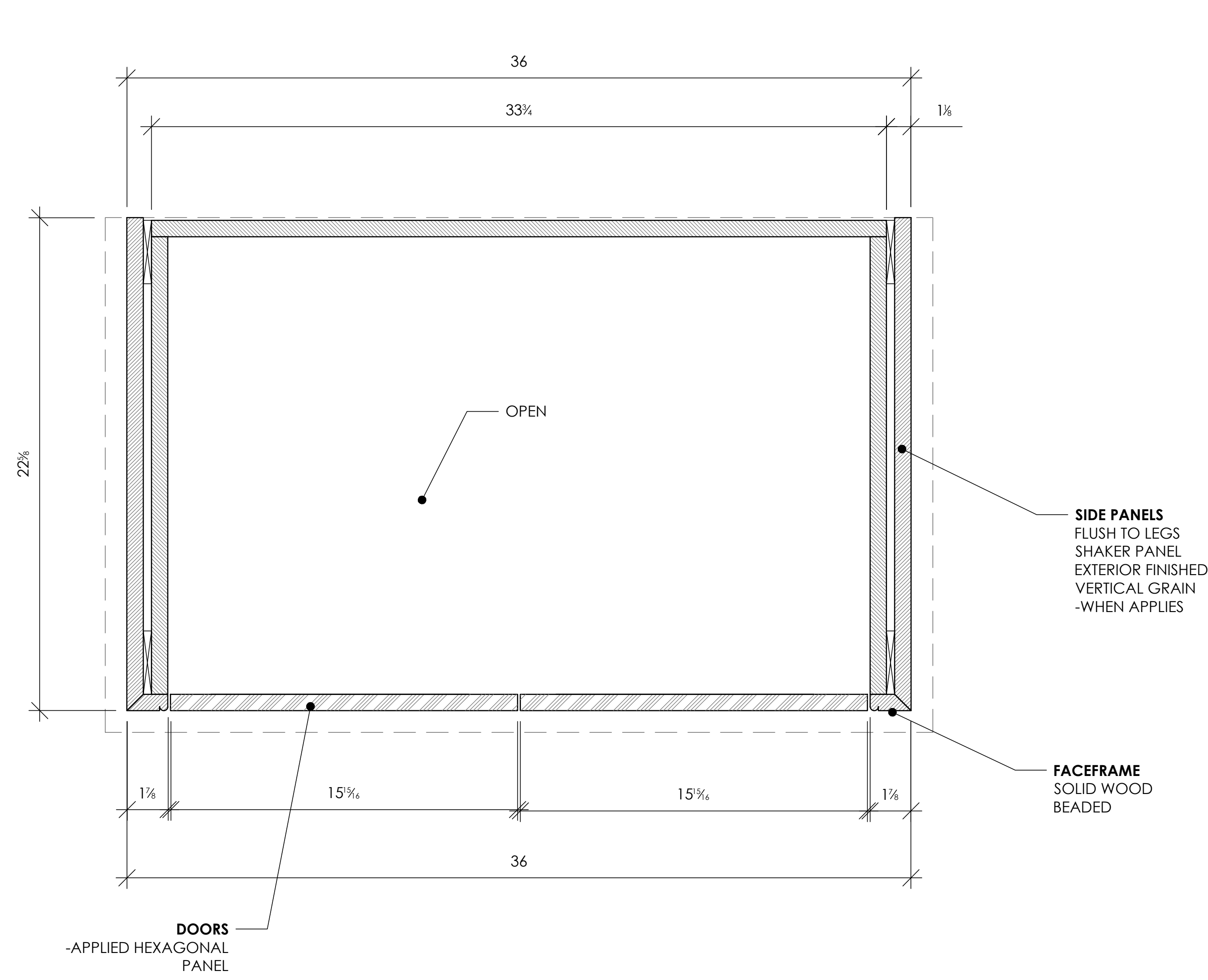
THE HARPER

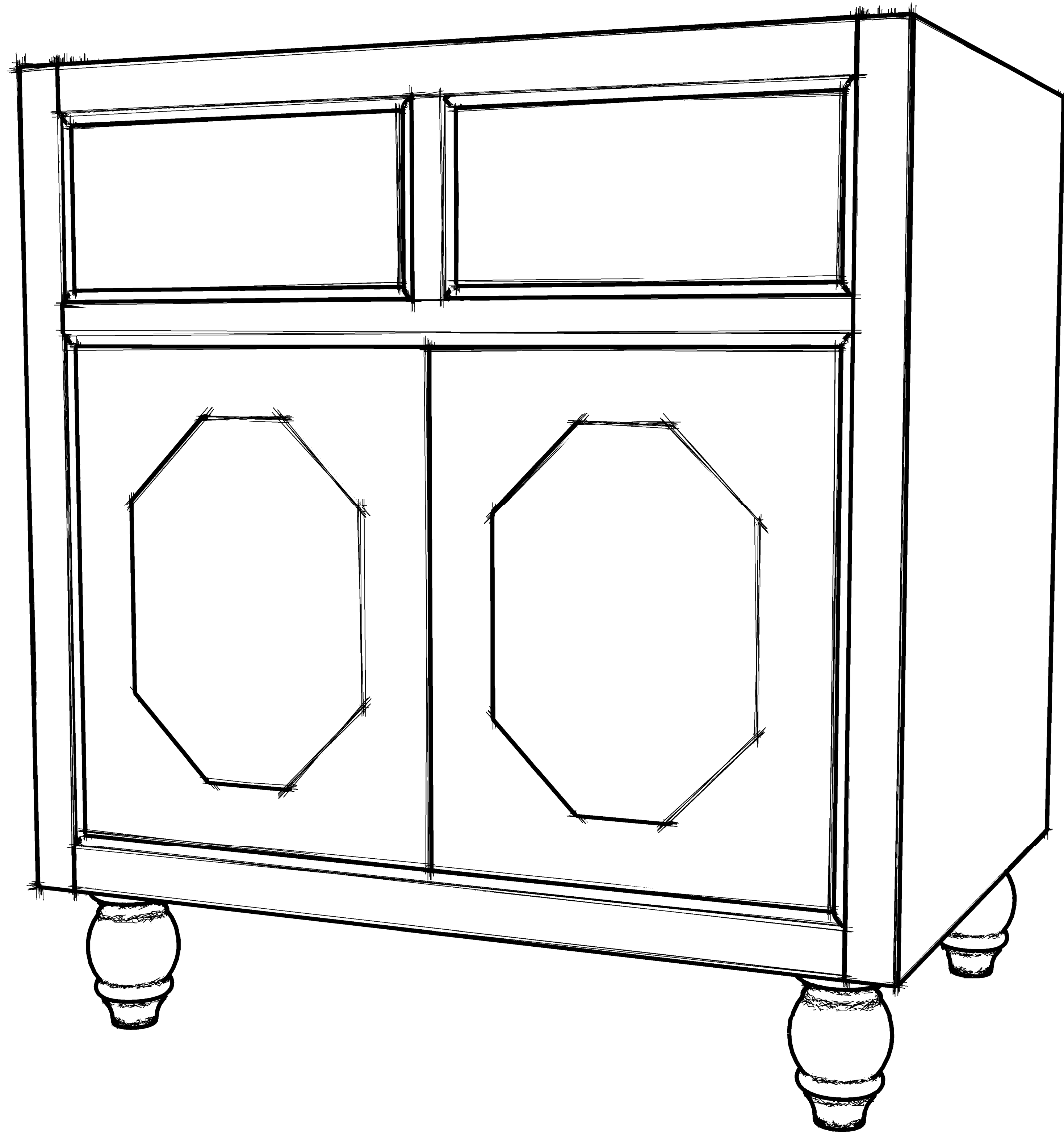
36"
DETAILS

DATE: 08.01.24
DRAFTED BY: B.WILEY
CHECKED BY: J.GREEN

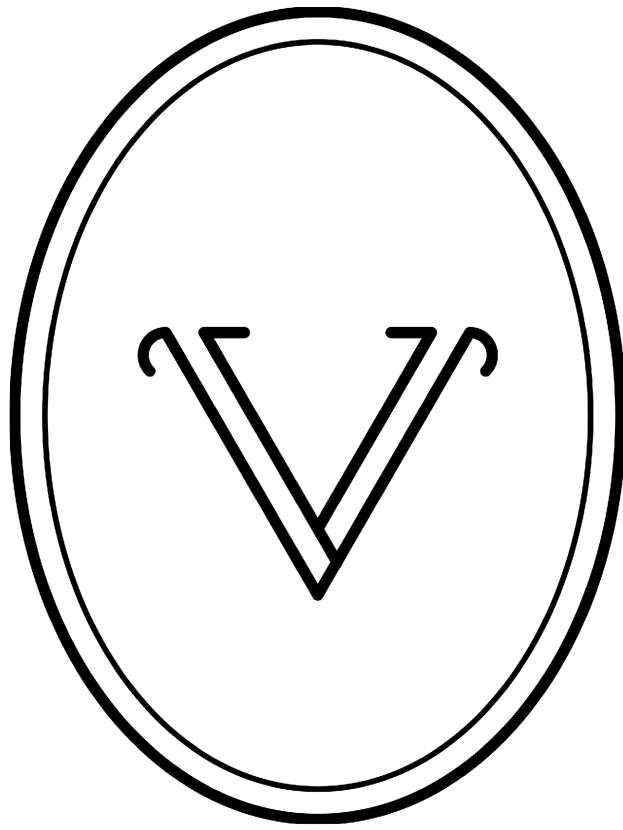
2 OF 3

SCALE: AS NOTED





1 THE HARPER - 36"
ISOMETRIC SCALE: NTS



**VANITY
& CO.**
26 CHURCH STREET
WELLESLEY, MA 02482

MATERIALS

3/4", 1" MOISTURE RESISTANT MDF
WHITE OAK OR PAINT GR MAPLE
1/2", 3/4" PREFINISHED MAPLE PLYWOOD
SOLID OAK OR PAINT GR TURNED WOOD LEGS

HARDWARE

4 EA HINGES: BLUM EURO HINGES - SOFT CLOSE
2 EA KNOBS: ARMAC MARTIN COTSWOLD
#COTK/BUN POLISHED UNLACQUERED
BRASS, PROVIDED BY OTHERS
1 EA CLIPBOARD LATCH: HORTON BRASS #SL-6,
POLISHED UNLACQUERED BRASS,
PROVIDED BY OTHERS
4 EA STEM LEVELERS, HAFELE #637.05.308, BLACK
WITH 1/4" #20 T-NUTS
4 EA HANGER BOLTS - 5/16"-#18
4 EA T-NUTS - 5/16"-#18

FINISH

PAINT FINISH: BEN MOORE - WHITE DOVE, SATIN
POLISHED UNLACQUERED BRASS
STONE: 3CM THICK - BY OTHERS

NO.	DESCRIPTION	DATE

THE HARPER

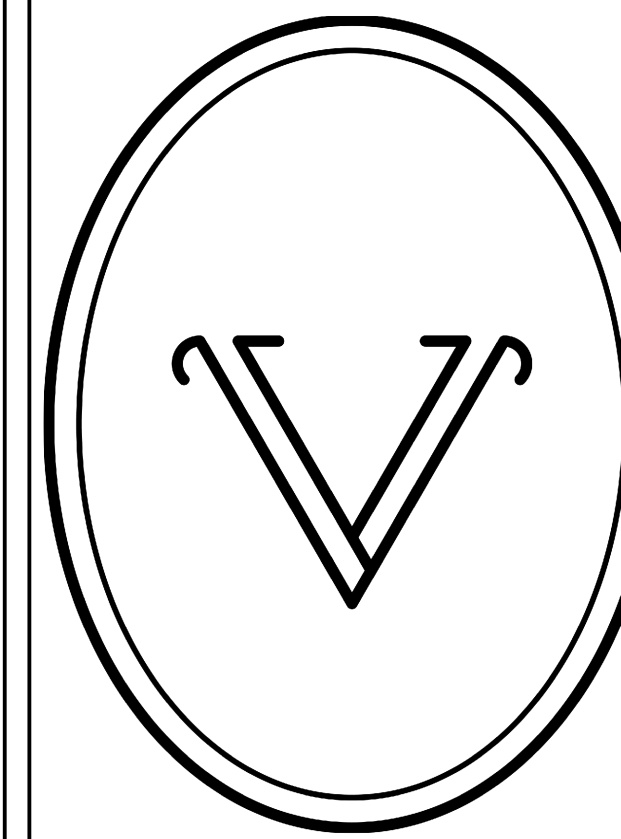
36"
ISOMETRIC

DATE: 11.09.23
DRAFTED BY: B.WILEY
CHECKED BY: J.GREEN

3 OF 3

SCALE: AS NOTED

PATENT PENDING



VANITY & CO.

26 CHURCH STREET
WELLESLEY, MA 02482

MATERIALS

3/4", 1" MOISTURE RESISTANT MDF
WHITE OAK OR PAINT GR MAPLE
1/2", 3/4" PREFINISHED MAPLE PLYWOOD
SOLID OAK OR PAINT GR TURNED WOOD LEGS

HARDWARE

8 EA HINGES: BLUM EURO HINGES - SOFT CLOSE
4 EA KNOBS: ARMAC MARTIN COTSWOLD
#COTK/BUN POLISHED UNLACQUERED
BRASS, PROVIDED BY OTHERS
2 EA CUPBOARD LATCH: HORTON BRASS #SL-6,
POLISHED UNLACQUERED BRASS,
PROVIDED BY OTHERS
4 EA STEM LEVELERS, HAFELE #637.05.308, BLACK
WITH 1/4" #20 T-NUTS
4 EA HANGER BOLTS - 5/16"-#18
4 EA T-NUTS - 5/16"-#18

FINISH

PAINT FINISH: BEN MOORE - WHITE DOVE, SATIN
POLISHED UNLACQUERED BRASS
STONE: 3CM THICK - BY OTHERS

NO.	DESCRIPTION	DATE

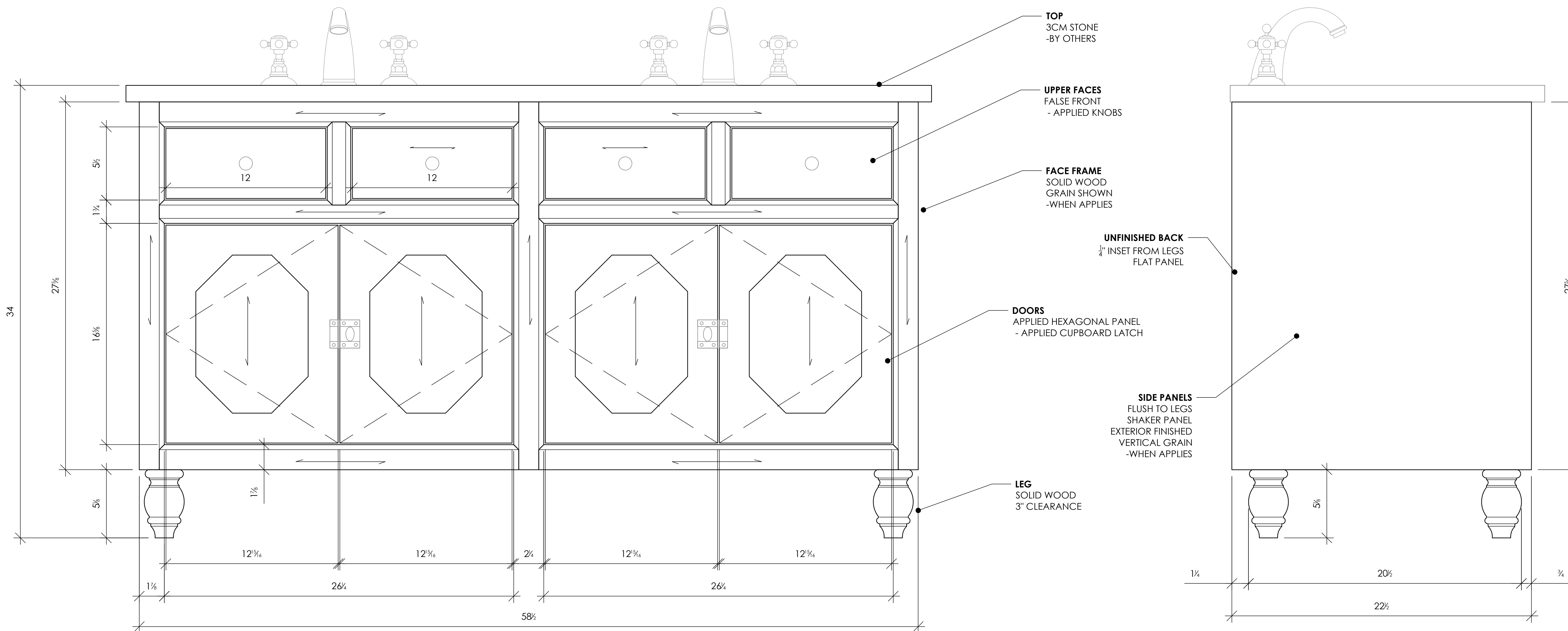
THE HARPER

60"
OVERVIEW

DATE: 08.01.24
DRAFTED BY: B.WILEY
CHECKED BY: J.GREEN

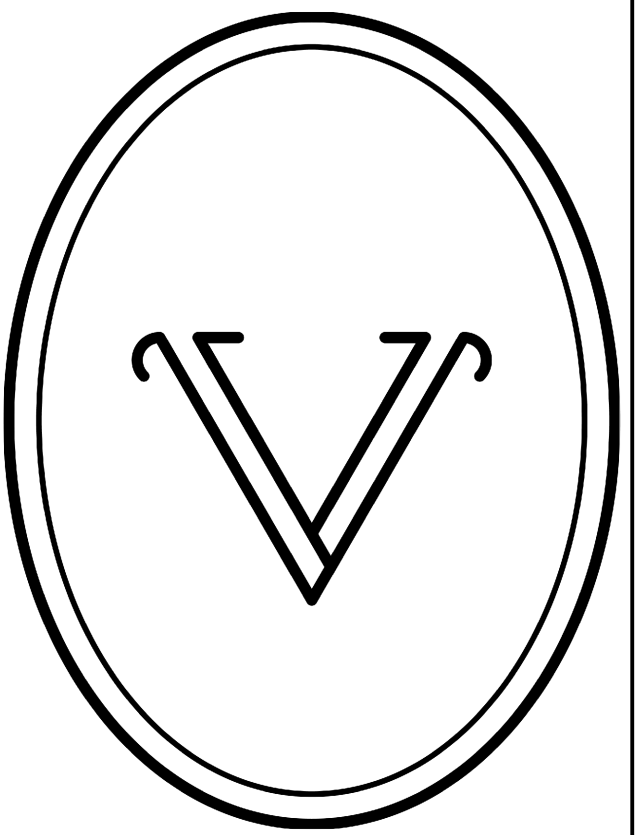
1 OF 3

SCALE: AS NOTED



1 VANITY FRONT ELEVATION SCALE: 3" = 1'

2 VANITY SIDE ELEVATION SCALE: 3" = 1'



VANITY & CO.

26 CHURCH STREET
WELLESLEY, MA 02482

MATERIALS

- 3/4", 1" MOISTURE RESISTANT MDF
- WHITE OAK OR PAINT GR MAPLE
- 1/2", 3/4" PREFINISHED MAPLE PLYWOOD
- SOLID OAK OR PAINT GR TURNED WOOD LEGS

HARDWARE

- 8 EA HINGES: BLUM EURO HINGES - SOFT CLOSE
- 4 EA KNOBS: ARMAC MARTIN COTSWOLD #COTK/BUN POLISHED UNLACQUERED BRASS, PROVIDED BY OTHERS
- 2 EA CUPBOARD LATCH: HORTON BRASS #SL-6, POLISHED UNLACQUERED BRASS, PROVIDED BY OTHERS
- 4 EA STEM LEVELERS, HAFELE #637.05.308, BLACK WITH 1/4" #20 T-NUTS
- 4 EA HANGER BOLTS - 5/16"-#18
- 4 EA T-NUTS - 5/16"-#18

FINISH

- PAINT FINISH: BEN MOORE - WHITE DOVE, SATIN
- POLISHED UNLACQUERED BRASS
- STONE: 3CM THICK - BY OTHERS

NO.	DESCRIPTION	DATE

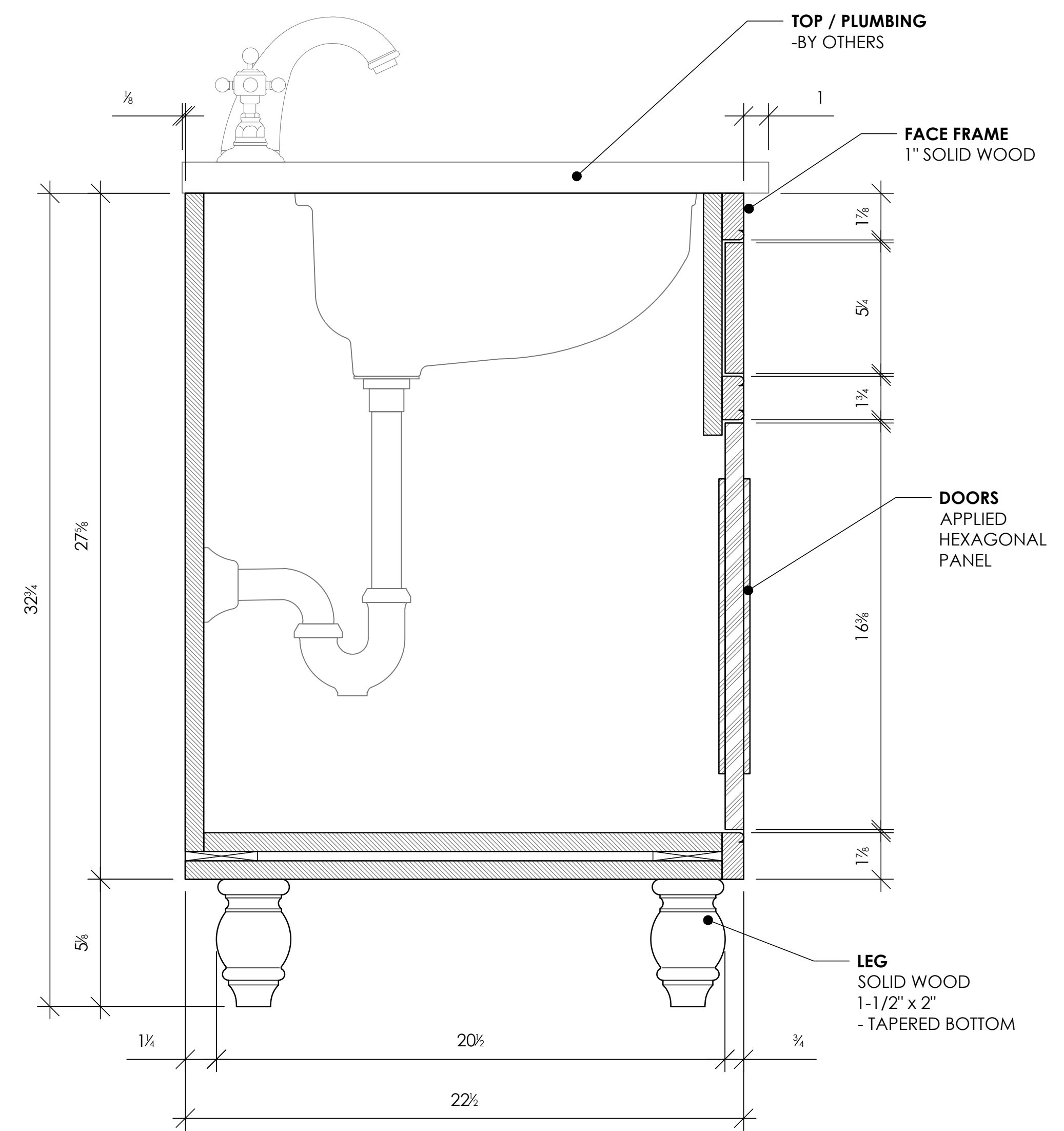
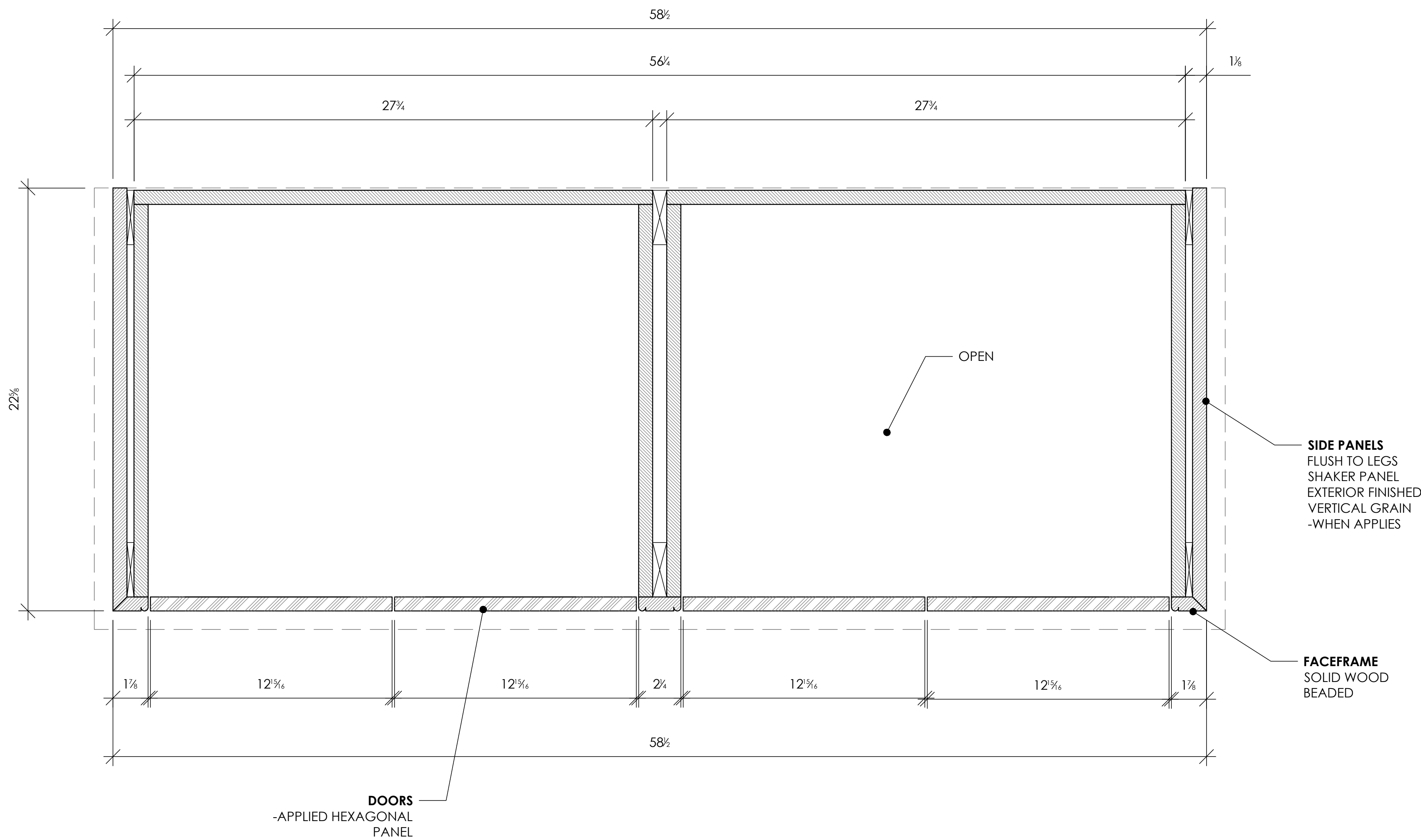
THE HARPER

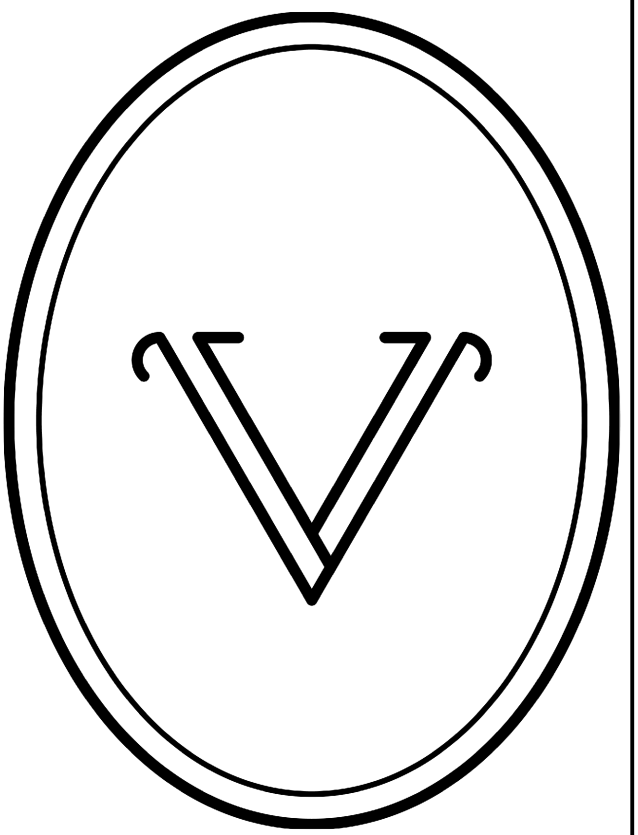
60"
DETAILS

DATE:	08.01.24
DRAFTED BY:	B.WILEY
CHECKED BY:	J.GREEN

2 OF 3

SCALE: AS NOTED





VANITY & CO.

26 CHURCH STREET
WELLESLEY, MA 02482

MATERIALS

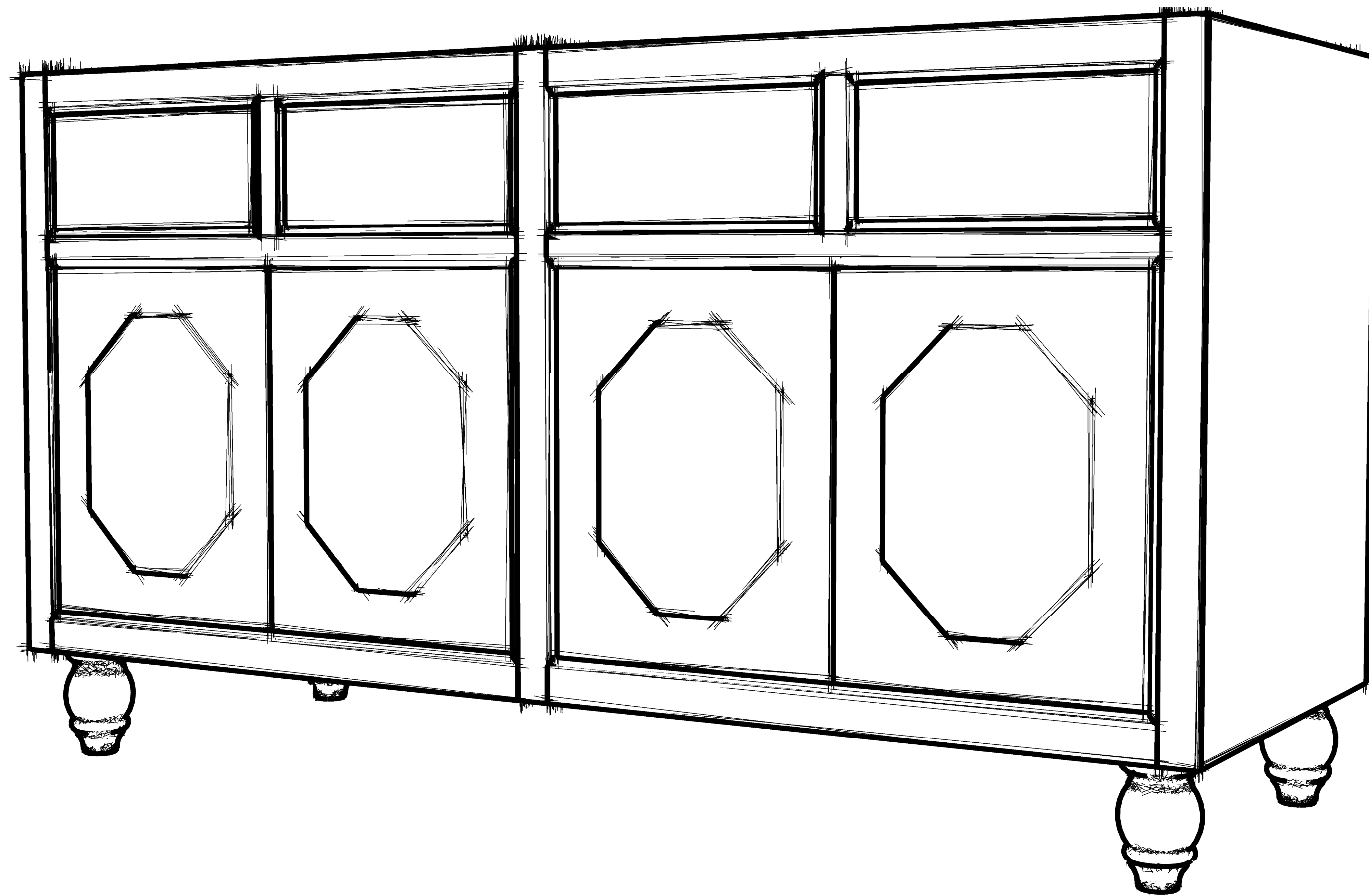
3/4", 1" MOISTURE RESISTANT MDF
WHITE OAK OR PAINT GR MAPLE
1/2", 3/4" PREFINISHED MAPLE PLYWOOD
SOLID OAK OR PAINT GR TURNED WOOD LEGS

HARDWARE

8 EA HINGES: BLUM EURO HINGES - SOFT CLOSE
4 EA KNOBS: ARMAC MARTIN COTSWOLD #COTK/BUN POLISHED UNLACQUERED BRASS, PROVIDED BY OTHERS
2 EA CUPBOARD LATCH: HORTON BRASS #SL-6, POLISHED UNLACQUERED BRASS, PROVIDED BY OTHERS
4 EA STEM LEVELERS, HAFELE #637.05.308, BLACK WITH 1/4" #20 T-NUTS
4 EA HANGER BOLTS - 5/16"-#18
4 EA T-NUTS - 5/16"-#18

FINISH

PAINT FINISH: BEN MOORE - WHITE DOVE, SATIN
POLISHED UNLACQUERED BRASS
STONE: 3CM THICK - BY OTHERS



NO.	DESCRIPTION	DATE

THE HARPER

60"
ISOMETRIC

DATE: 11.09.23
DRAFTED BY: B.WILEY
CHECKED BY: J.GREEN

3 OF 3

SCALE: AS NOTED

1 THE HARPER - 60"
ISOMETRIC SCALE: NTS