

VANITY & CO.

26 CHURCH STREET
WELLESLEY, MA 02482

MATERIALS

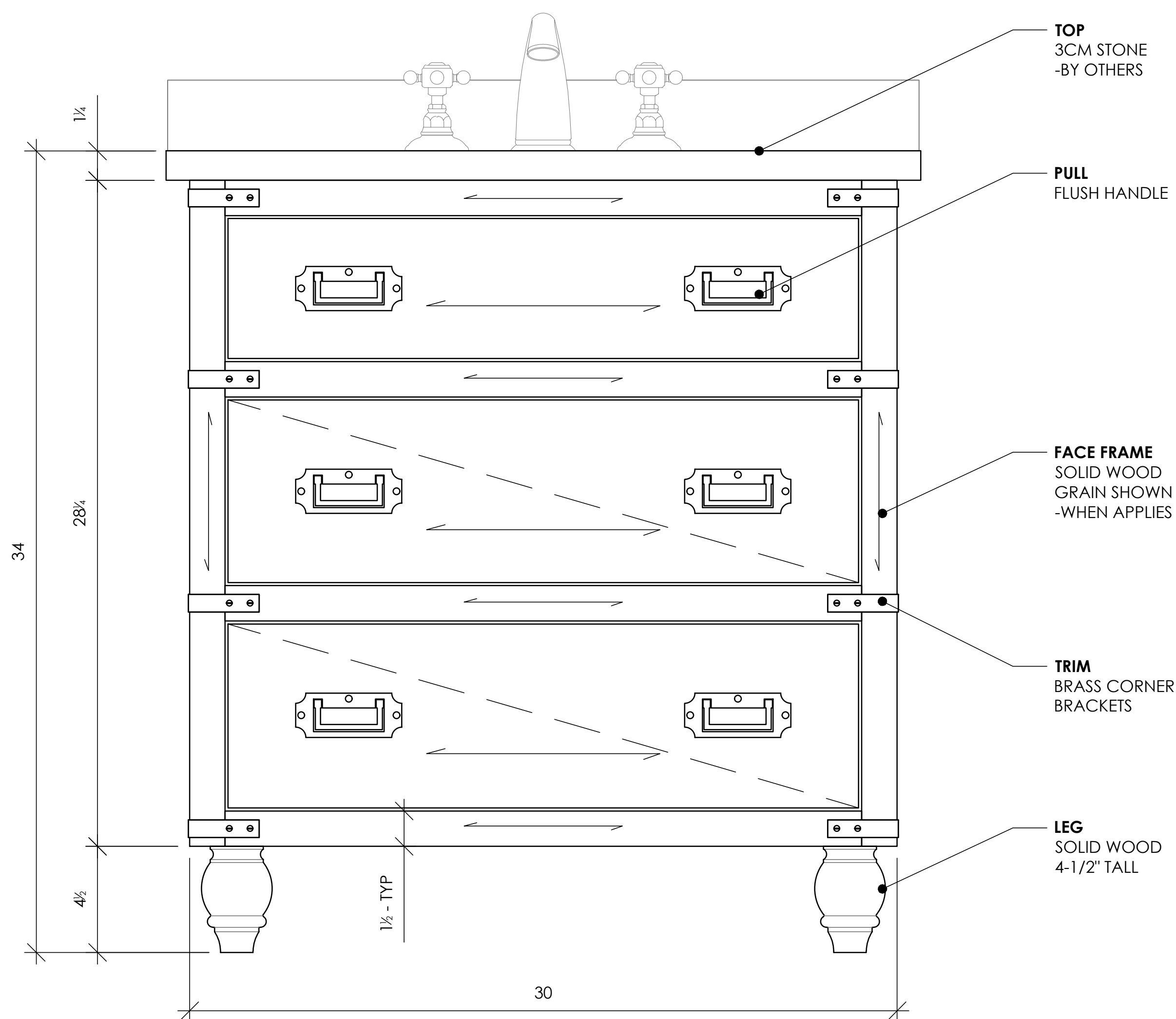
3/4", 1" MOISTURE RESISTANT MDF
WHITE OAK OR PAINT GR MAPLE
1/2", 3/4" PREFINISHED MAPLE PLYWOOD
CLEAR FINISH DOVETAILED MAPLE DRAWER BOX
SOLID OAK OR PAINT GR TURNED LEGS

HARDWARE

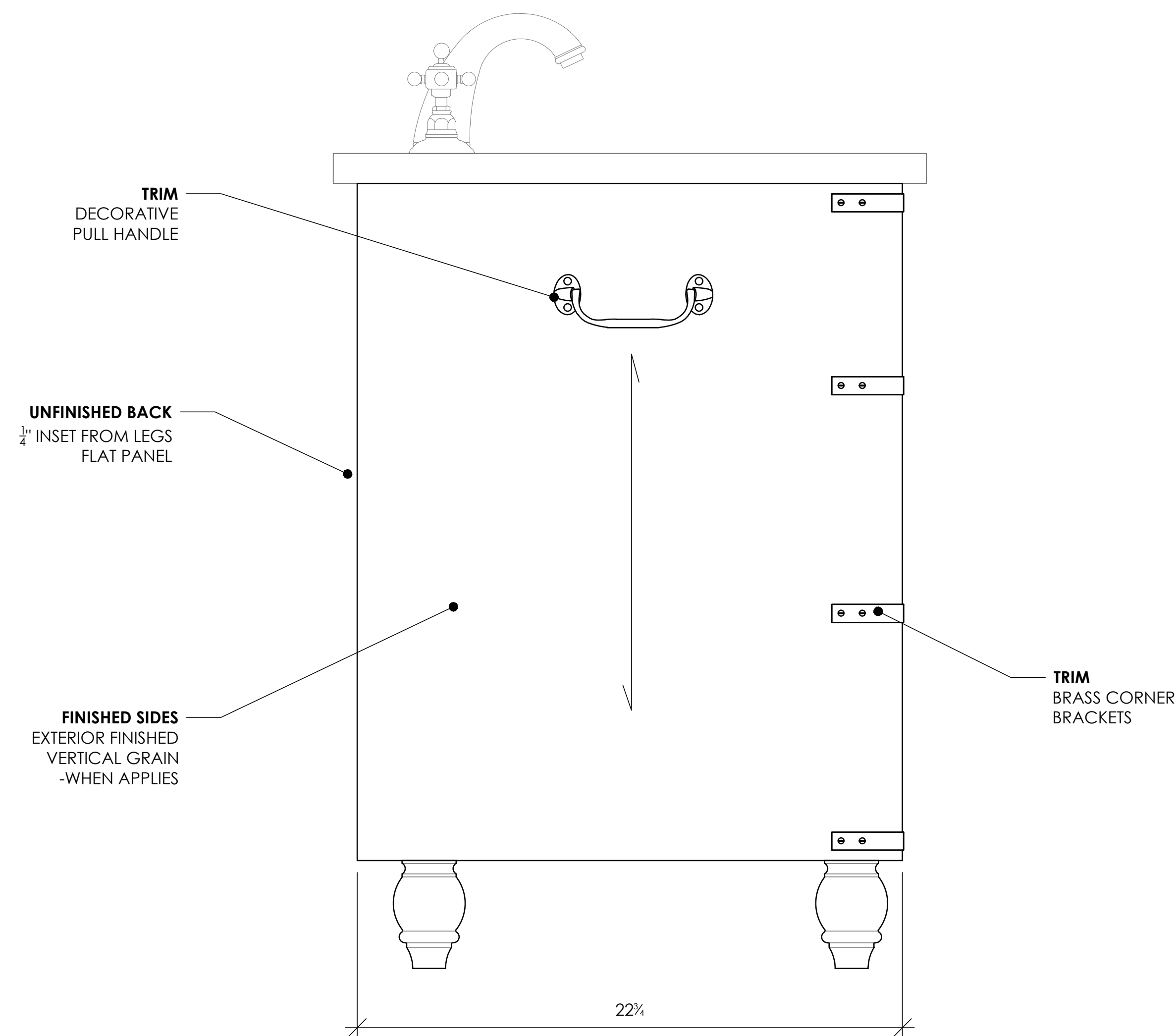
2 SETS BLUM 563H UNDERMOUNT SOFT CLOSE DRAWER SLIDES
6 EA RECESSED PULLS: HORTON BRASS #OFF-2 OCTAGONAL FLUSH HANDLE, ANTIQUE BRASS - PROVIDED BY OTHERS
2 EA CHEST HANDLES: HORTON BRASS #H-558L, 6-5/8", ANTIQUE BRASS - PROVIDED BY OTHERS
8 EA CORNER BRACKETS: HORTON BRASS #TH-2B, 3", ANTIQUE BRASS - PROVIDED BY OTHERS
2 EA STEM LEVELERS, HAFELE #637.05.308, BLACK WITH 1/4" #20 T-NUTS
4 EA HANGER BOLTS - 5/16" - #18
4 EA T-NUTS 5/16" - #18

FINISH

PAINT FINISH: BEN MOORE - WHITE DOVE, SATIN
POLISHED UNLACQUERED BRASS
STONE: 3CM THICK - BY OTHERS



1 VANITY FRONT ELEVATION SCALE: 3" = 1"



2 VANITY SIDE ELEVATION SCALE: 3" = 1"

NO.	DESCRIPTION	DATE

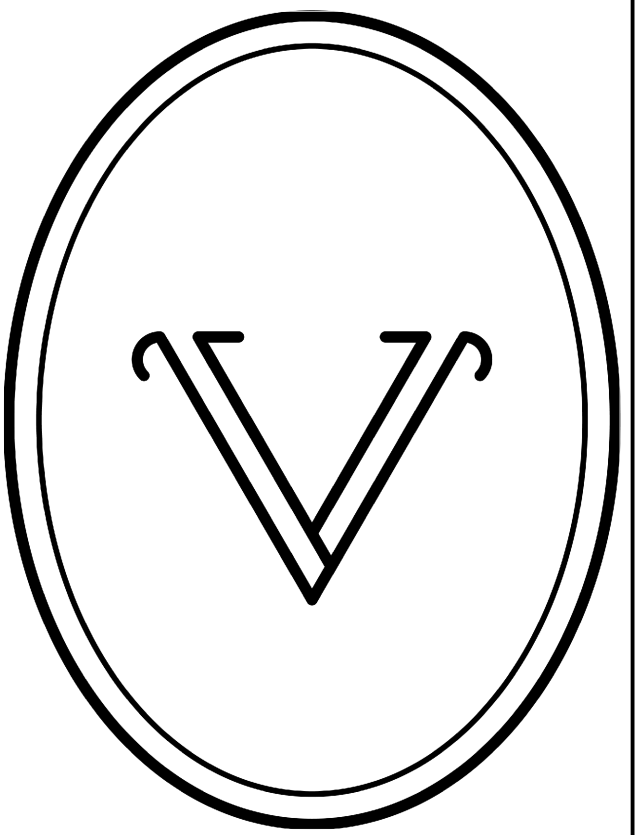
THE KATHERINE

30"
OVERVIEW

DATE: 11.09.23
DRAFTED BY: B.WILEY
CHECKED BY: J.GREEN

1 OF 3

SCALE: AS NOTED



**VANITY
& CO.**

26 CHURCH STREET
WELLESLEY, MA 02482

MATERIALS

- 3/4", 1" MOISTURE RESISTANT MDF
- WHITE OAK OR PAINT GR MAPLE
- 1/2", 3/4" PREFINISHED MAPLE PLYWOOD
- CLEAR FINISH DOVETAILED MAPLE DRAWER BOX
- SOLID OAK OR PAINT GR TURNED LEGS

HARDWARE

- 2 SETS BLUM 563H UNDERMOUNT SOFT CLOSE DRAWER SLIDES
- 6 EA RECESSED PULLS: HORTON BRASS #OPF-2 OCTAGONAL FLUSH HANDLE, ANTIQUE BRASS - PROVIDED BY OTHERS
- 2 EA CHEST HANDLES: HORTON BRASS #H-558L, 6-5/8", ANTIQUE BRASS - PROVIDED BY OTHERS
- 8 EA CORNER BRACKETS: HORTON BRASS #TH-2B, 3", ANTIQUE BRASS - PROVIDED BY OTHERS
- 2 EA STEM LEVELERS, HAFELE #637.05.308, BLACK WITH 1/4" #20 T-NUTS
- 4 EA HANGER BOLTS - 5/16" - #18
- 4 EA T-NUTS 5/16" - #18

FINISH

- PAINT FINISH: BEN MOORE - WHITE DOVE, SATIN
- POLISHED UNLACQUERED BRASS
- STONE: 3CM THICK - BY OTHERS

NO.	DESCRIPTION	DATE

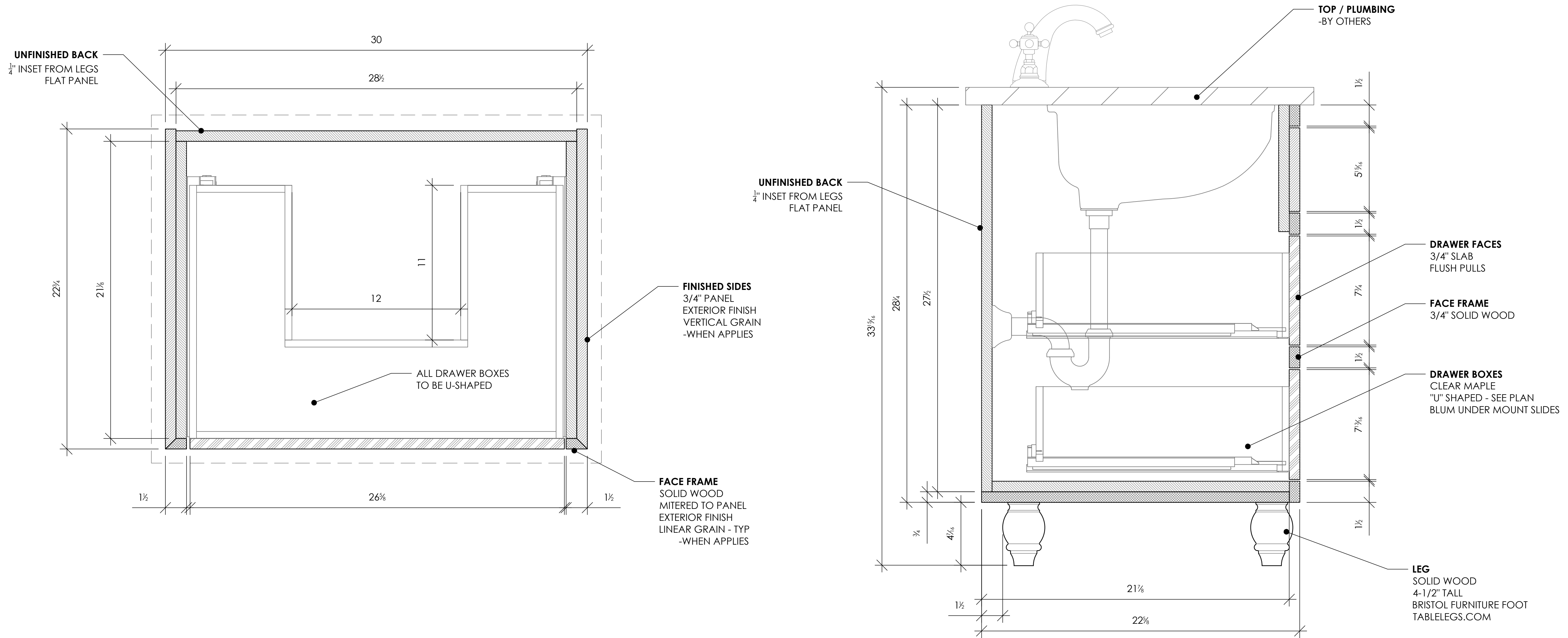
THE KATHERINE

30"
DETAILS

DATE:	11.09.23
DRAFTED BY:	B.WILEY
CHECKED BY:	J.GREEN

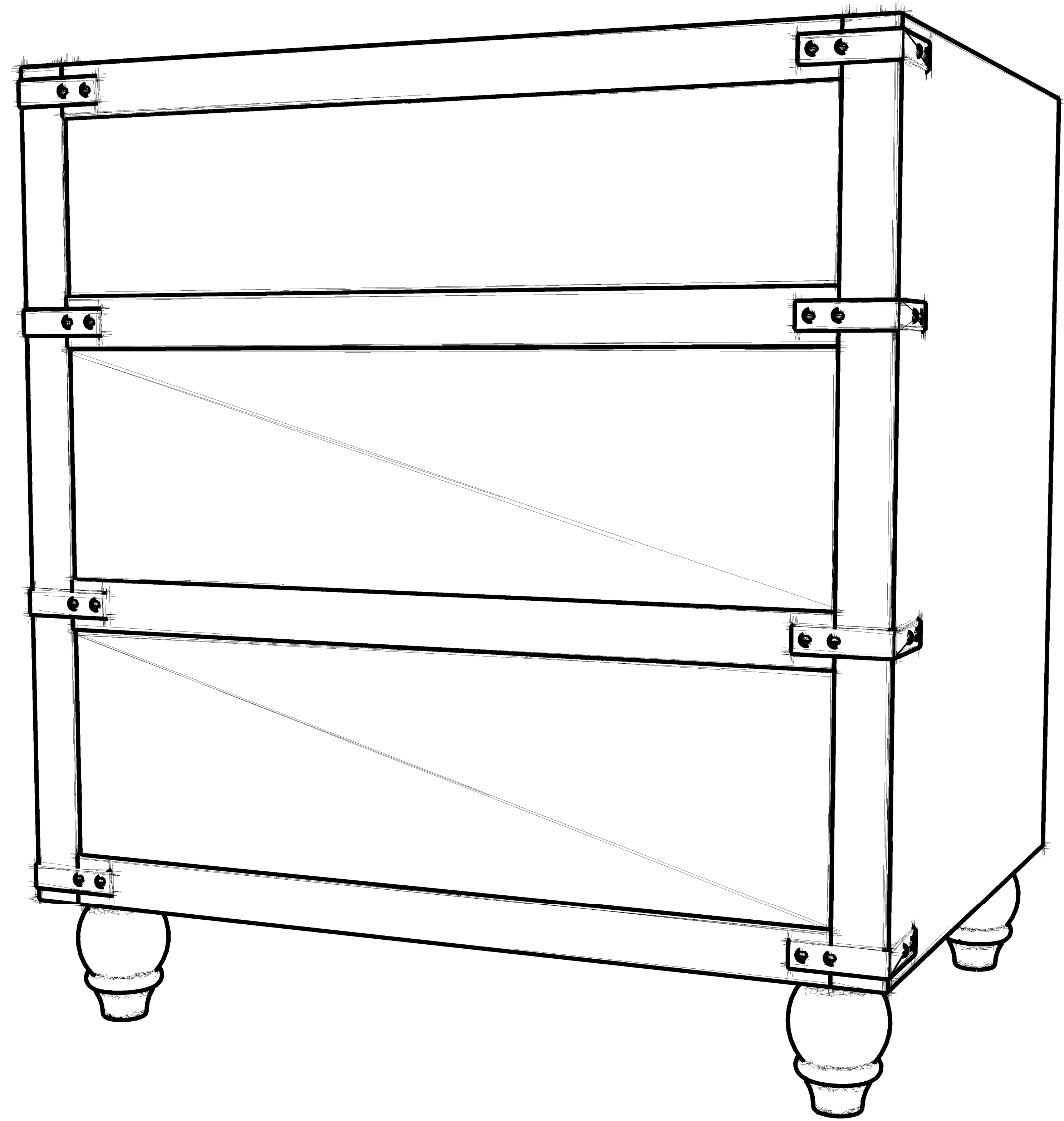
2 OF 3

SCALE: AS NOTED

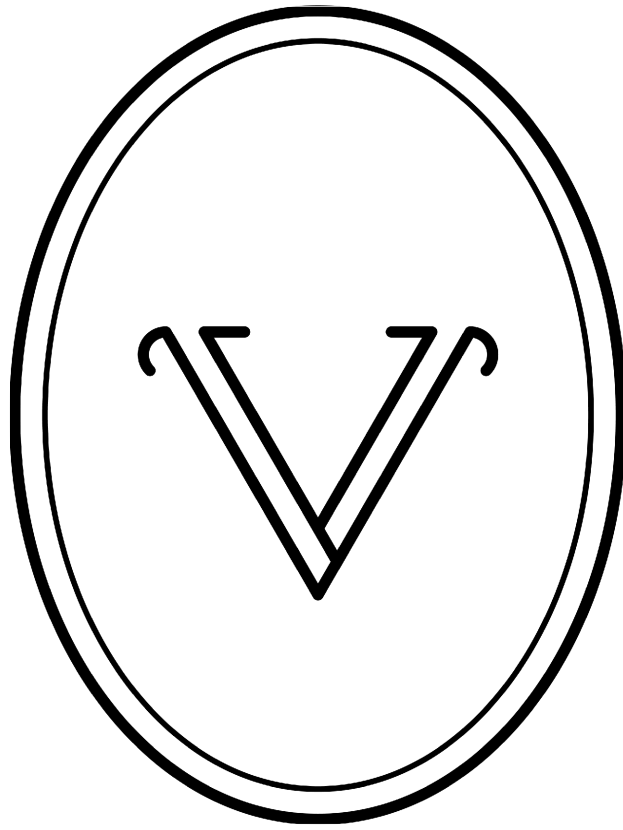


1 VANITY PLAN SCALE: 3" = 1'

2 VANITY SIDE SECTION SCALE: 3" = 1'



1 THE KATHERINE - 30"
ISOMETRIC SCALE: NTS



**VANITY
& CO.**
26 CHURCH STREET
WELLESLEY, MA 02482

MATERIALS

- 3/4", 1" MOISTURE RESISTANT MDF
- WHITE OAK OR PAINT GR MAPLE
- 1/2", 3/4" PREFINISHED MAPLE PLYWOOD
- CLEAR FINISH DOVETAILED MAPLE DRAWER BOX
- SOLID OAK OR PAINT GR TURNED LEGS

HARDWARE

- 2 SETS BLUM 563H UNDERMOUNT SOFT CLOSE DRAWER SLIDES
- 6 EA RECESSED PULLS: HORTON BRASS #OPF-2 OCTAGONAL FLUSH HANDLE, ANTIQUE BRASS - PROVIDED BY OTHERS
- 2 EA CHEST HANDLES: HORTON BRASS #H-558L, 6-5/8", ANTIQUE BRASS - PROVIDED BY OTHERS
- 8 EA CORNER BRACKETS: HORTON BRASS #TH-2B, 3", ANTIQUE BRASS - PROVIDED BY OTHERS
- 2 EA STEM LEVELERS, HAFELE #637.05.308, BLACK WITH 1/4" #20 T-NUTS
- 4 EA HANGER BOLTS - 5/16" - #18
- 4 EA T-NUTS 5/16" - #18

FINISH

- PAINT FINISH: BEN MOORE - WHITE DOVE, SATIN
- POLISHED UNLACQUERED BRASS
- STONE: 3CM THICK - BY OTHERS

NO.	DESCRIPTION	DATE

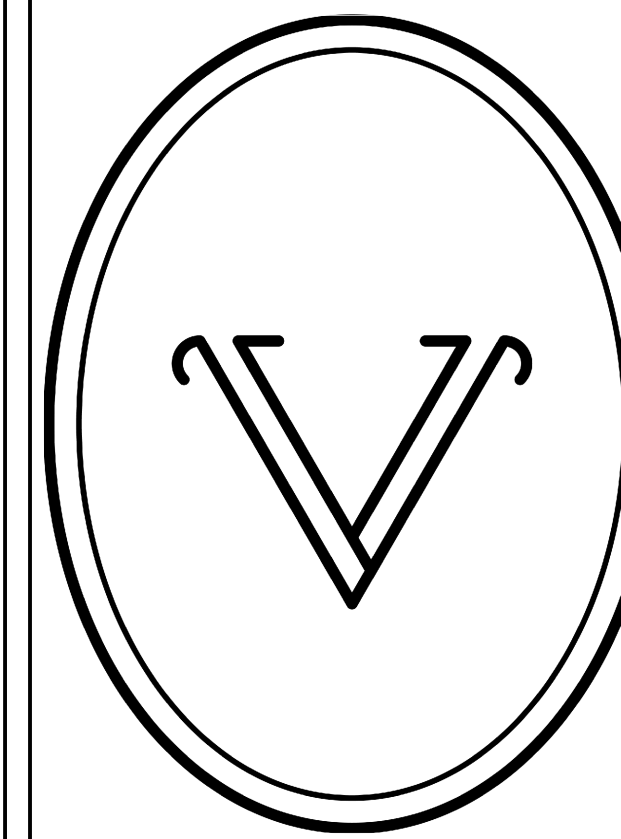
THE KATHERINE

30"
ISOMETRIC

DATE: 11.09.23
DRAFTED BY: B.WILEY
CHECKED BY: J.GREEN

3 OF 3

SCALE: AS NOTED



VANITY & CO.

26 CHURCH STREET
WELLESLEY, MA 02482

MATERIALS

3/4", 1" MOISTURE RESISTANT MDF
WHITE OAK OR PAINT GR MAPLE
1/2", 3/4" PREFINISHED MAPLE PLYWOOD
CLEAR FINISH DOVETAILED MAPLE DRAWER BOX
SOLID OAK OR PAINT GR TURNED LEGS

HARDWARE

2 SETS BLUM 563H UNDERMOUNT SOFT CLOSE DRAWER SLIDES
6 EA RECESSED PULLS: HORTON BRASS #OPF-2 OCTAGONAL FLUSH HANDLE, ANTIQUE BRASS - PROVIDED BY OTHERS
2 EA CHEST HANDLES: HORTON BRASS #H-558L, 6-5/8", ANTIQUE BRASS - PROVIDED BY OTHERS
8 EA CORNER BRACKETS: HORTON BRASS #TH-2B, 3", ANTIQUE BRASS - PROVIDED BY OTHERS
2 EA STEM LEVELERS, HAFELE #637.05.308, BLACK WITH 1/4" #20 T-NUTS
4 EA HANGER BOLTS - 5/16" - #18
4 EA T-NUTS 5/16" - #18

FINISH

PAINT FINISH: BEN MOORE - WHITE DOVE, SATIN
POLISHED UNLACQUERED BRASS
STONE: 3CM THICK - BY OTHERS

NO.	DESCRIPTION	DATE

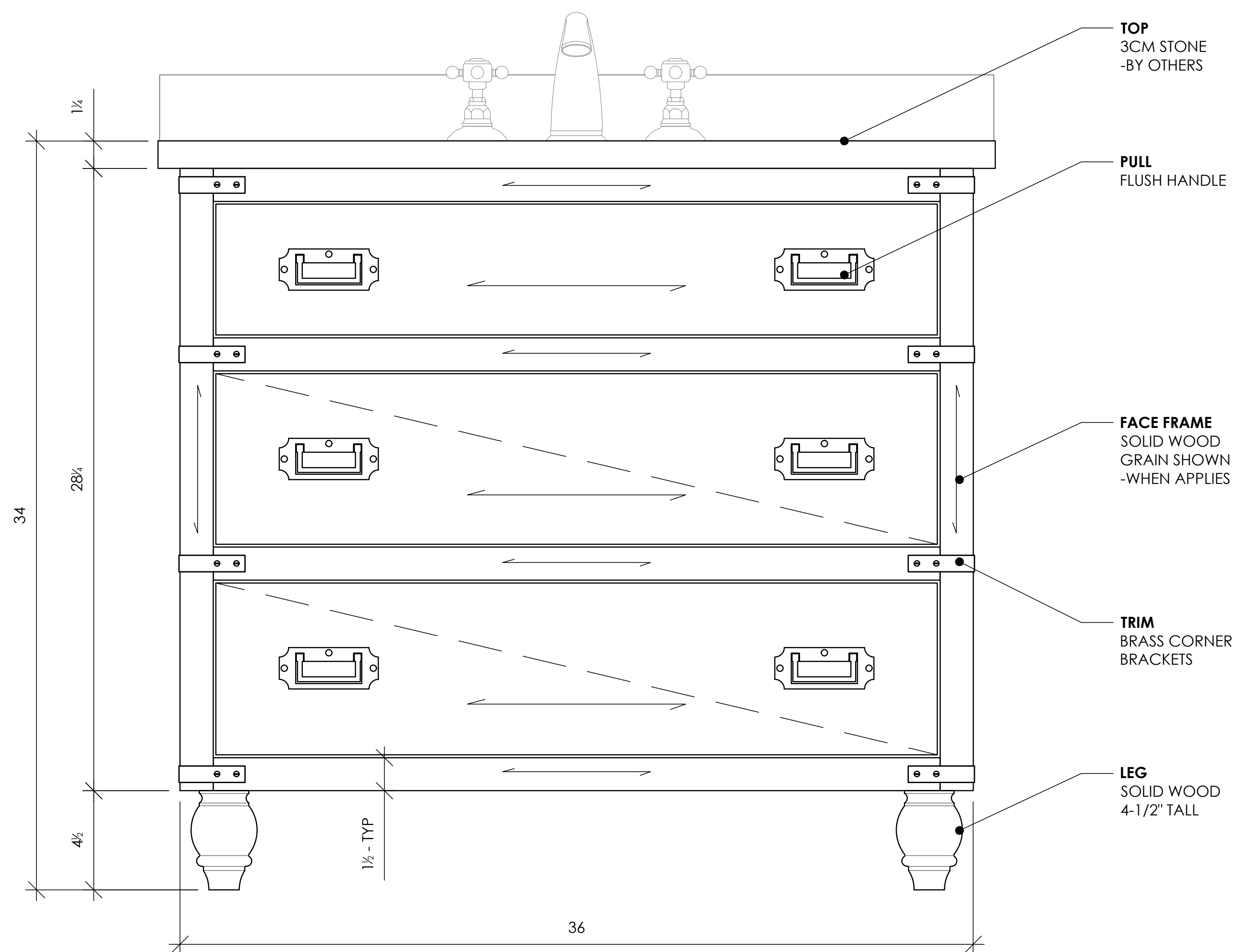
THE KATHERINE

36"
OVERVIEW

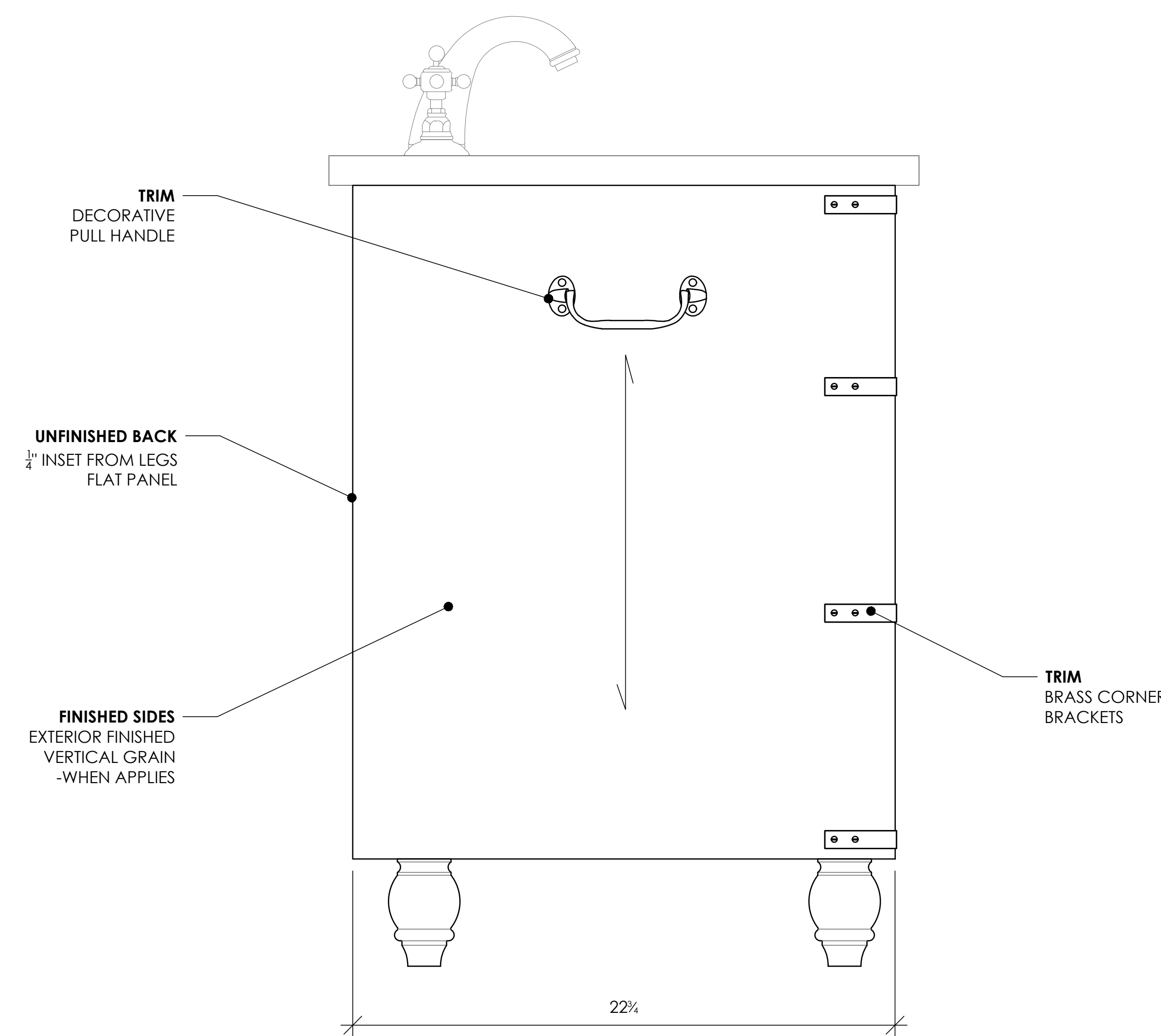
DATE: 11.09.23
DRAFTED BY: B.WILEY
CHECKED BY: J.GREEN

1 OF 3

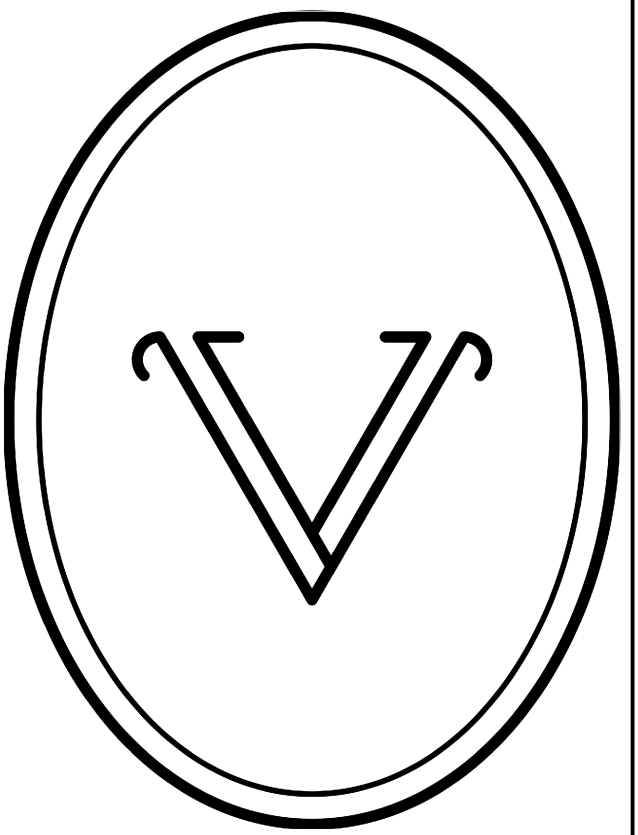
SCALE: AS NOTED



1 VANITY FRONT ELEVATION SCALE: 3" = 1'



2 VANITY SIDE ELEVATION SCALE: 3" = 1'



VANITY & CO.

26 CHURCH STREET
WELLESLEY, MA 02482

MATERIALS

- 3/4", 1" MOISTURE RESISTANT MDF
- WHITE OAK OR PAINT GR MAPLE
- 1/2", 3/4" PREFINISHED MAPLE PLYWOOD
- CLEAR FINISH DOVETAILED MAPLE DRAWER BOX
- SOLID OAK OR PAINT GR TURNED LEGS

HARDWARE

- 2 SETS BLUM 563H UNDERMOUNT SOFT CLOSE DRAWER SLIDES
- 6 EA RECESSED PULLS: HORTON BRASS #OFF-2 OCTAGONAL FLUSH HANDLE, ANTIQUE BRASS - PROVIDED BY OTHERS
- 2 EA CHEST HANDLES: HORTON BRASS #H-558L, 6-5/8", ANTIQUE BRASS - PROVIDED BY OTHERS
- 8 EA CORNER BRACKETS: HORTON BRASS #TH-2B, 3", ANTIQUE BRASS - PROVIDED BY OTHERS
- 2 EA STEM LEVELERS, HAFELE #637.05.308, BLACK WITH 1/4" #20 T-NUTS
- 4 EA HANGER BOLTS - 5/16" - #18
- 4 EA T-NUTS 5/16" - #18

FINISH

- PAINT FINISH: BEN MOORE - WHITE DOVE, SATIN
- POLISHED UNLACQUERED BRASS
- STONE: 3CM THICK - BY OTHERS

NO.	DESCRIPTION	DATE

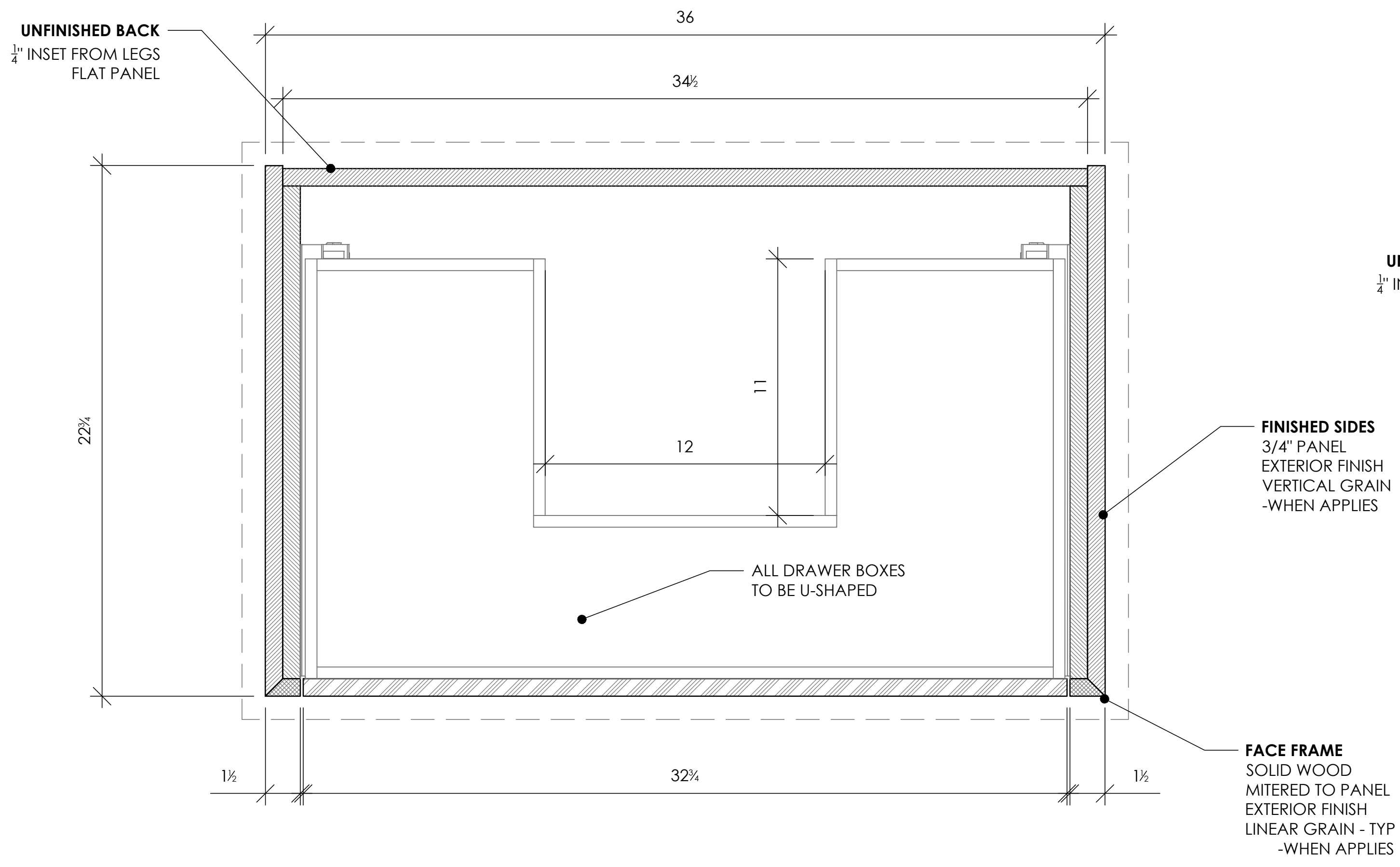
THE KATHERINE

36"
DETAILS

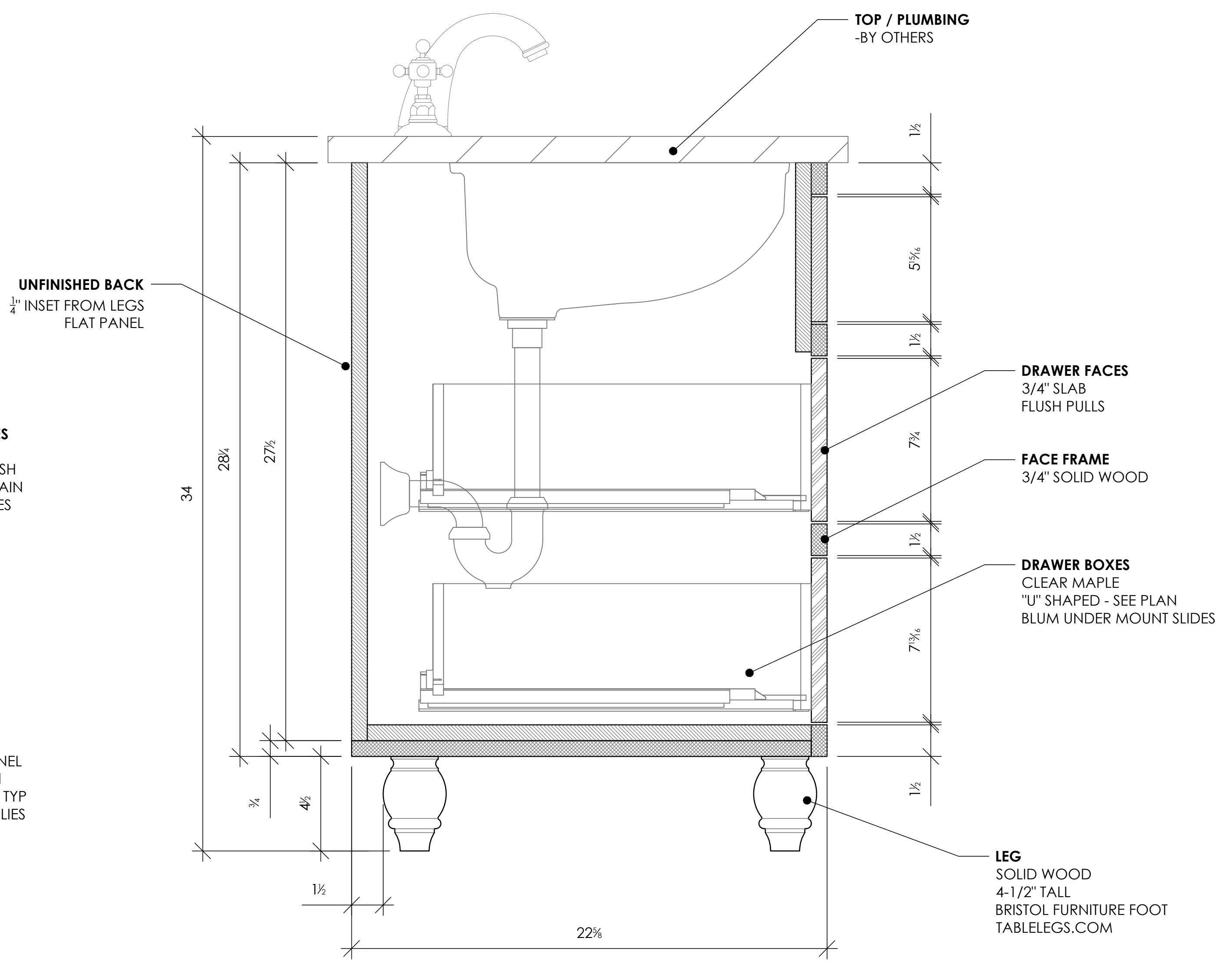
DATE: 11.09.23
DRAFTED BY: B.WILEY
CHECKED BY: J.GREEN

2 OF 3

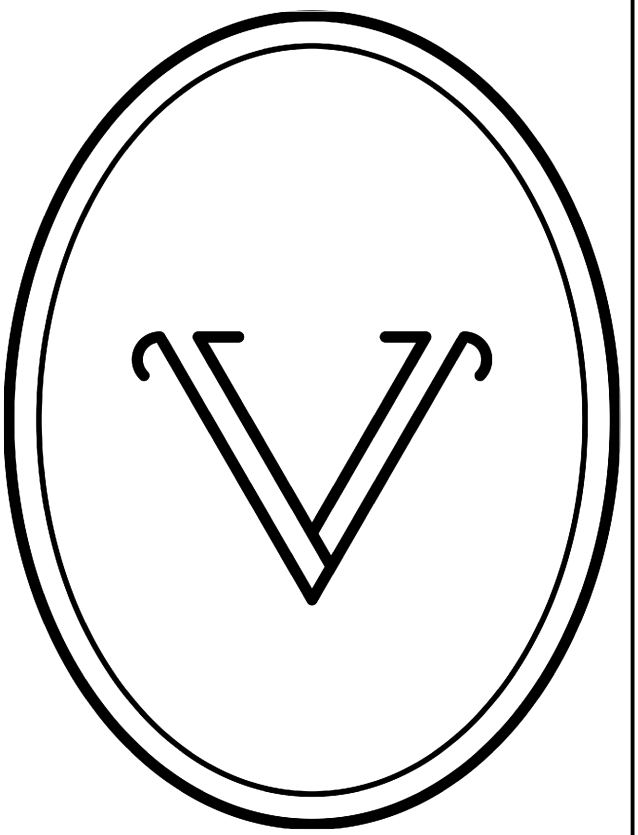
SCALE: AS NOTED



1 VANITY PLAN SCALE: 3" = 1"



2 VANITY SIDE SECTION SCALE: 3" = 1"



VANITY & CO.

26 CHURCH STREET
WELLESLEY, MA 02482

MATERIALS

3/4", 1" MOISTURE RESISTANT MDF
WHITE OAK OR PAINT GR MAPLE
1/2", 3/4" PREFINISHED MAPLE PLYWOOD
CLEAR FINISH DOVETAILED MAPLE DRAWER BOX
SOLID OAK OR PAINT GR TURNED LEGS

HARDWARE

2 SETS BLUM 563H UNDERMOUNT SOFT CLOSE DRAWER SLIDES
6 EA RECESSED PULLS: HORTON BRASS #OPF-2 OCTAGONAL FLUSH HANDLE, ANTIQUE BRASS - PROVIDED BY OTHERS
2 EA CHEST HANDLES: HORTON BRASS #H-558L, 6-5/8", ANTIQUE BRASS - PROVIDED BY OTHERS
8 EA CORNER BRACKETS: HORTON BRASS #TH-2B, 3", ANTIQUE BRASS - PROVIDED BY OTHERS
2 EA STEM LEVELERS, HAFELE #637.05.308, BLACK WITH 1/4" #20 T-NUTS
4 EA HANGER BOLTS - 5/16" - #18
4 EA T-NUTS 5/16" - #18

FINISH

PAINT FINISH: BEN MOORE - WHITE DOVE, SATIN
POLISHED UNLACQUERED BRASS
STONE: 3CM THICK - BY OTHERS

NO.	DESCRIPTION	DATE

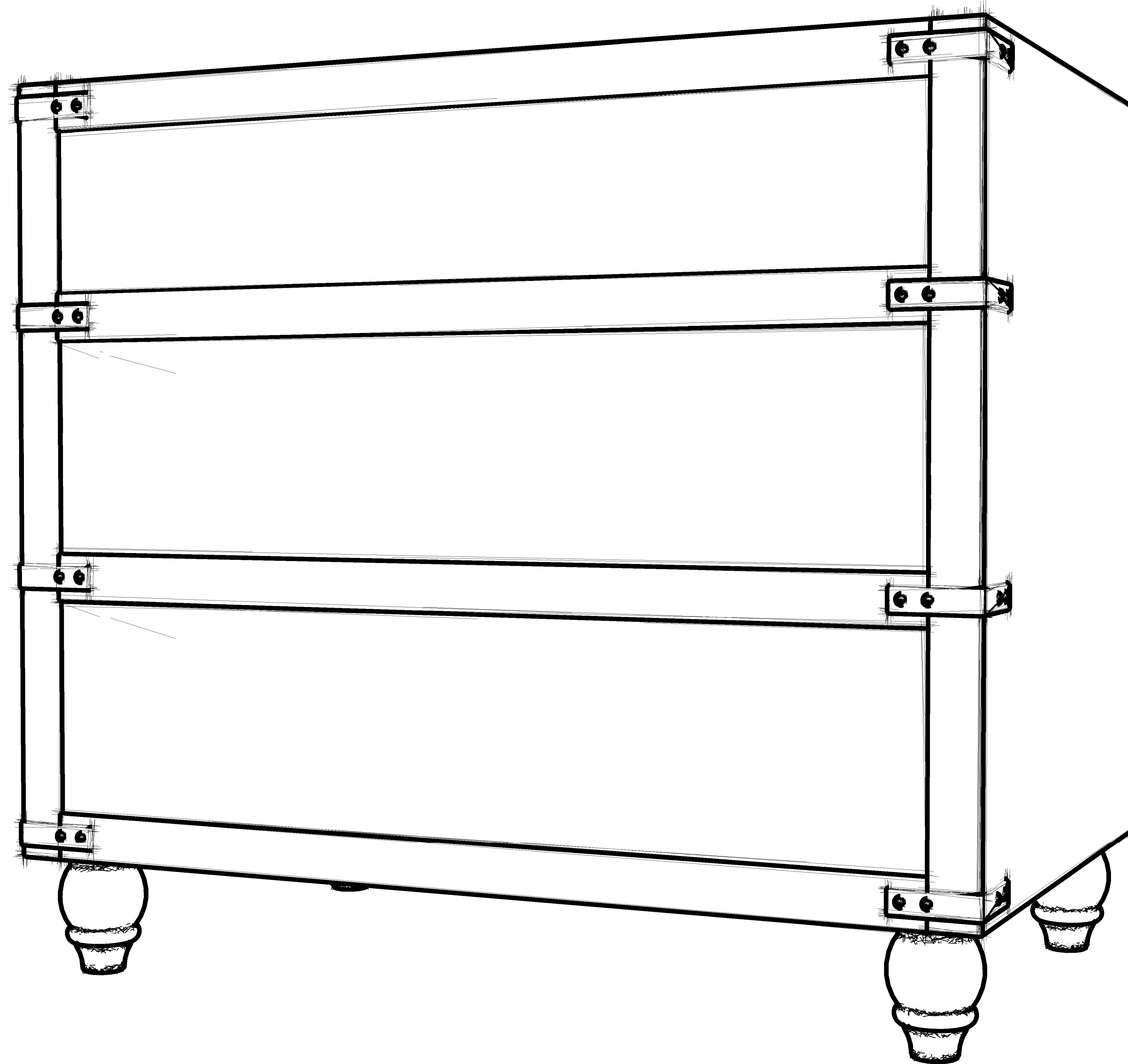
THE KATHERINE

36"
ISOMETRIC

DATE: 11.09.23
DRAFTED BY: B.WILEY
CHECKED BY: J.GREEN

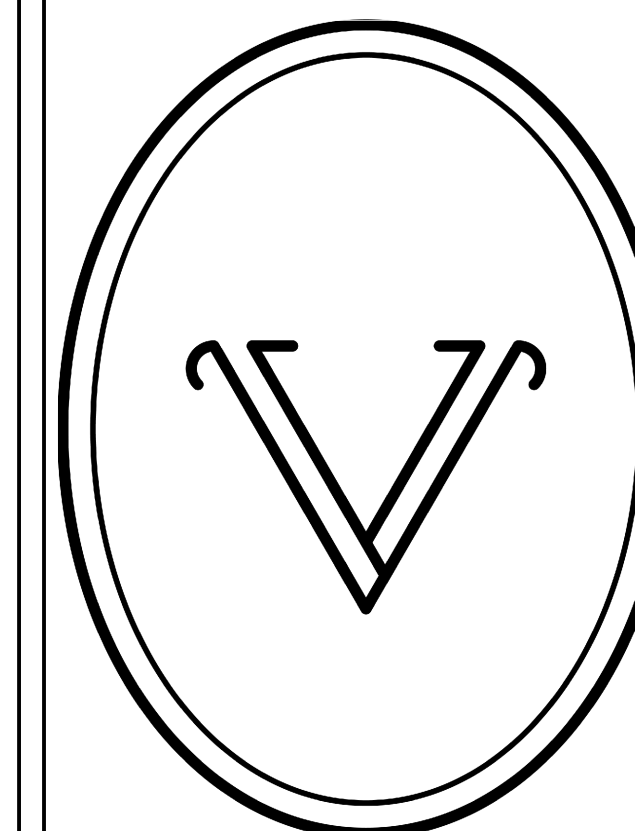
3 OF 3

SCALE: AS NOTED



1 THE KATHERINE - 30"
ISOMETRIC SCALE: NTS

PATENT PENDING



VANITY & CO.

26 CHURCH STREET
WELLESLEY, MA 02482

MATERIALS

3/4", 1" MOISTURE RESISTANT MDF
WHITE OAK OR PAINT GR MAPLE
1/2", 3/4" PREFINISHED MAPLE PLYWOOD
CLEAR FINISH DOVETAILED MAPLE DRAWER BOX
SOLID OAK OR PAINT GR TURNED LEGS

HARDWARE

4 SETS BLUM 563H UNDERMOUNT SOFT CLOSE DRAWER SLIDES
12 EA RECESSED PULLS: HORTON BRASS #OFF-2 OCTAGONAL FLUSH HANDLE, ANTIQUE BRASS - PROVIDED BY OTHERS
4 EA CHEST HANDLES: HORTON BRASS #H-558L, 6-5/8", ANTIQUE BRASS - PROVIDED BY OTHERS
16 EA CORNER BRACKETS: HORTON BRASS #TH-2B, 3", ANTIQUE BRASS - PROVIDED BY OTHERS
4 EA STEM LEVELERS, HAFELE #637.05.308, BLACK WITH 1/4" #20 T-NUTS
8 EA HANGER BOLTS - 5/16" - #18
8 EA T-NUTS 5/16" - #18

FINISH

PAINT FINISH: BEN MOORE - WHITE DOVE, SATIN
POLISHED UNLACQUERED BRASS
STONE: 3CM THICK - BY OTHERS

NO.	DESCRIPTION	DATE

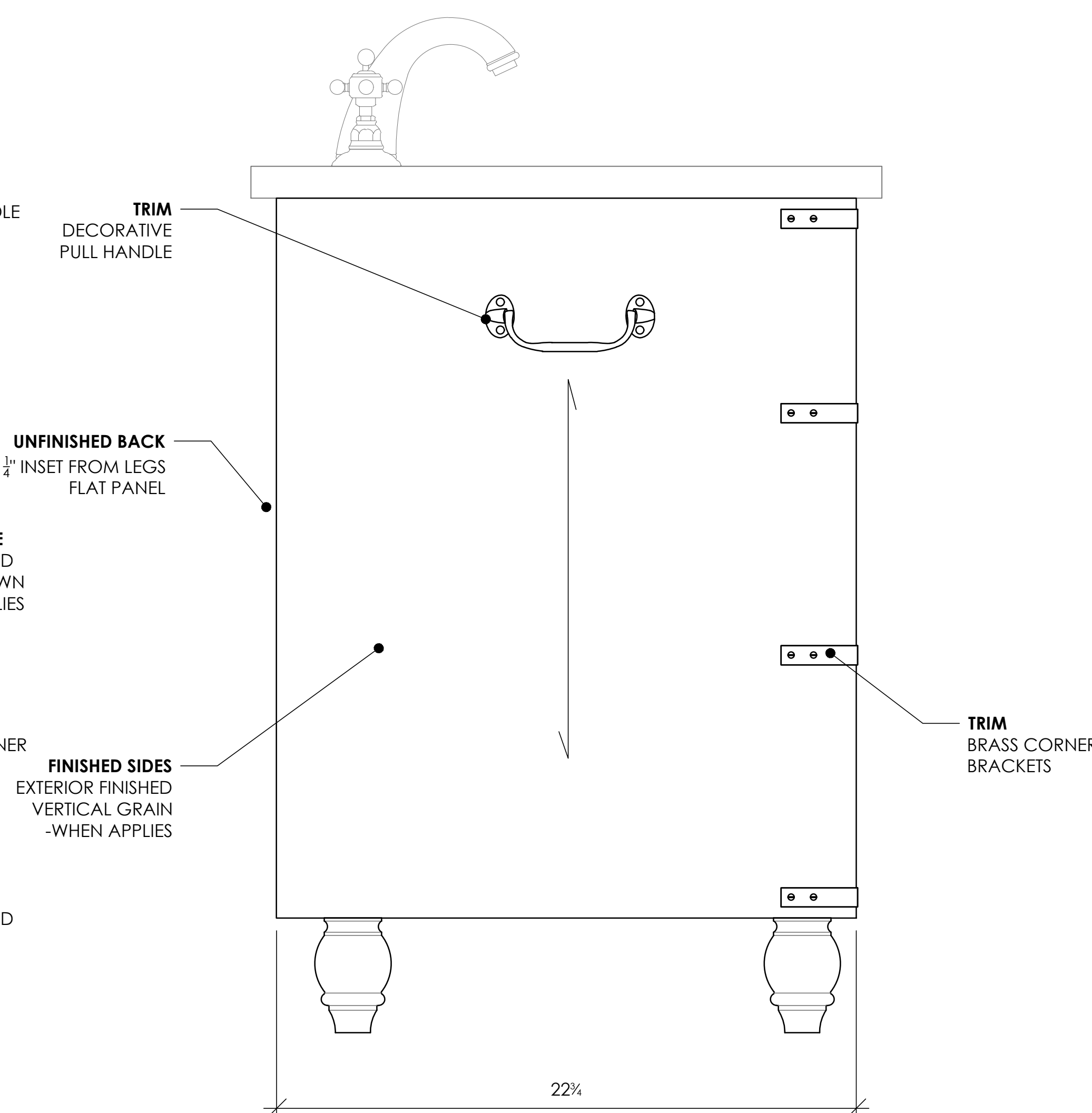
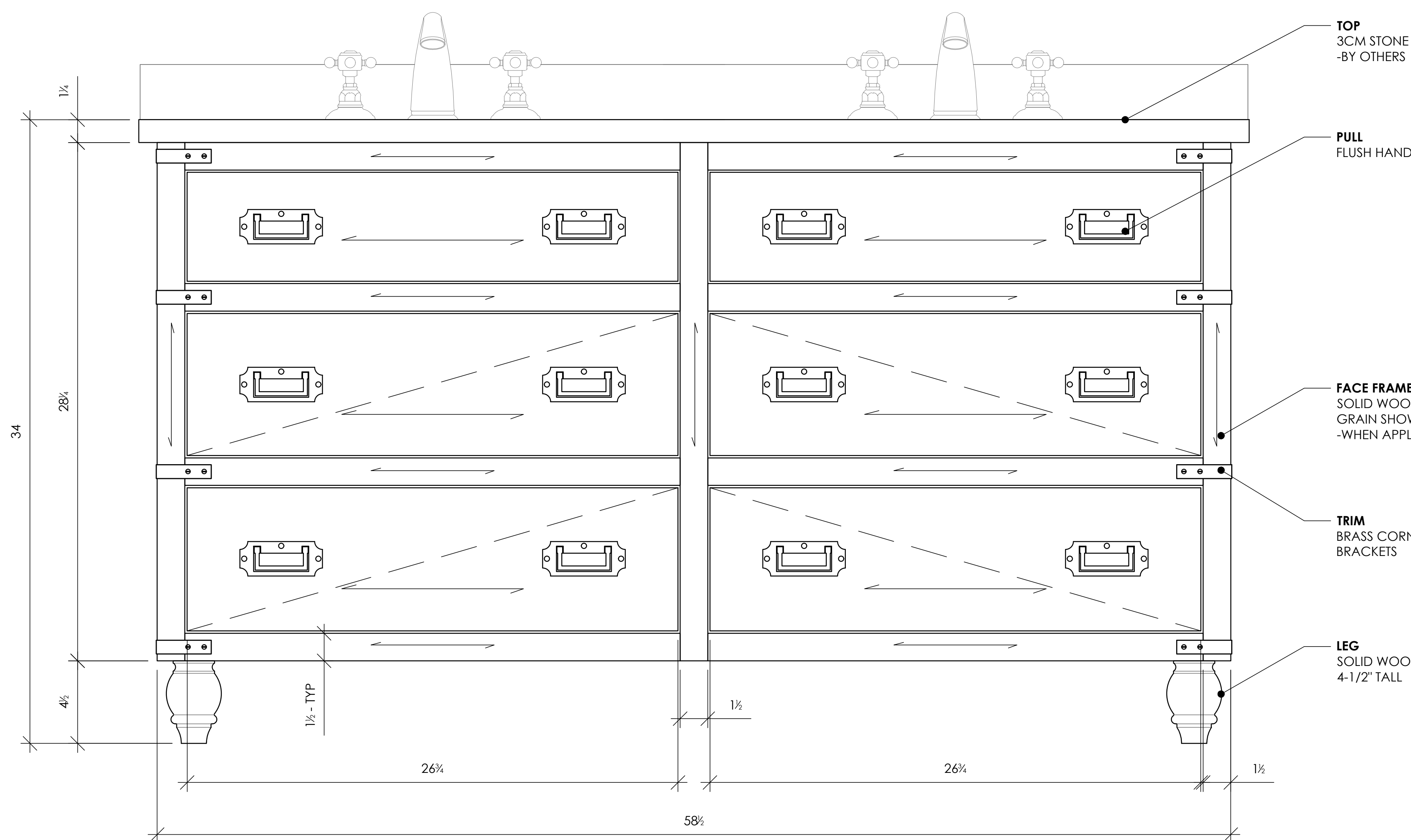
THE KATHERINE

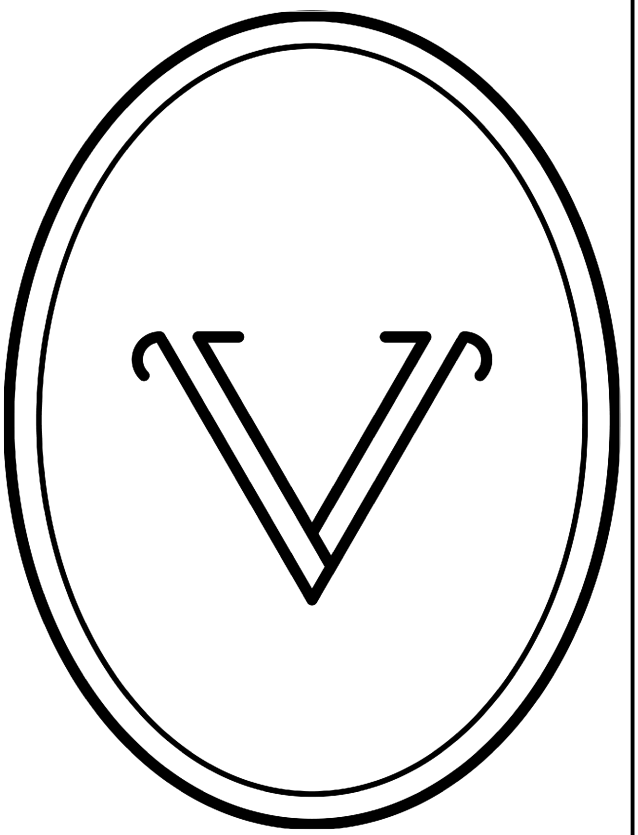
60"
OVERVIEW

DATE: 08.01.24
DRAFTED BY: B.WILEY
CHECKED BY: J.GREEN

1 OF 3

SCALE: AS NOTED





VANITY & CO.

26 CHURCH STREET
WELLESLEY, MA 02482

MATERIALS

- 3/4", 1" MOISTURE RESISTANT MDF
- WHITE OAK OR PAINT GR MAPLE
- 1/2", 3/4" PREFINISHED MAPLE PLYWOOD
- CLEAR FINISH DOVETAILED MAPLE DRAWER BOX
- SOLID OAK OR PAINT GR TURNED LEGS

HARDWARE

- 4 SETS BLUM 563H UNDERMOUNT SOFT CLOSE DRAWER SLIDES
- 12 EA RECESSED PULLS: HORTON BRASS #OFF-2 OCTAGONAL FLUSH HANDLE, ANTIQUE BRASS - PROVIDED BY OTHERS
- 4 EA CHEST HANDLES: HORTON BRASS #H-558L, 6-5/8", ANTIQUE BRASS - PROVIDED BY OTHERS
- 16 EA CORNER BRACKETS: HORTON BRASS #TH-2B, 3", ANTIQUE BRASS - PROVIDED BY OTHERS
- 4 EA STEM LEVELERS, HAFELE #637.05.308, BLACK WITH 1/4" #20 T-NUTS
- 8 EA HANGER BOLTS - 5/16" - #18
- 8 EA T-NUTS 5/16" - #18

FINISH

- PAINT FINISH: BEN MOORE - WHITE DOVE, SATIN
- POLISHED UNLACQUERED BRASS
- STONE: 3CM THICK - BY OTHERS

NO.	DESCRIPTION	DATE

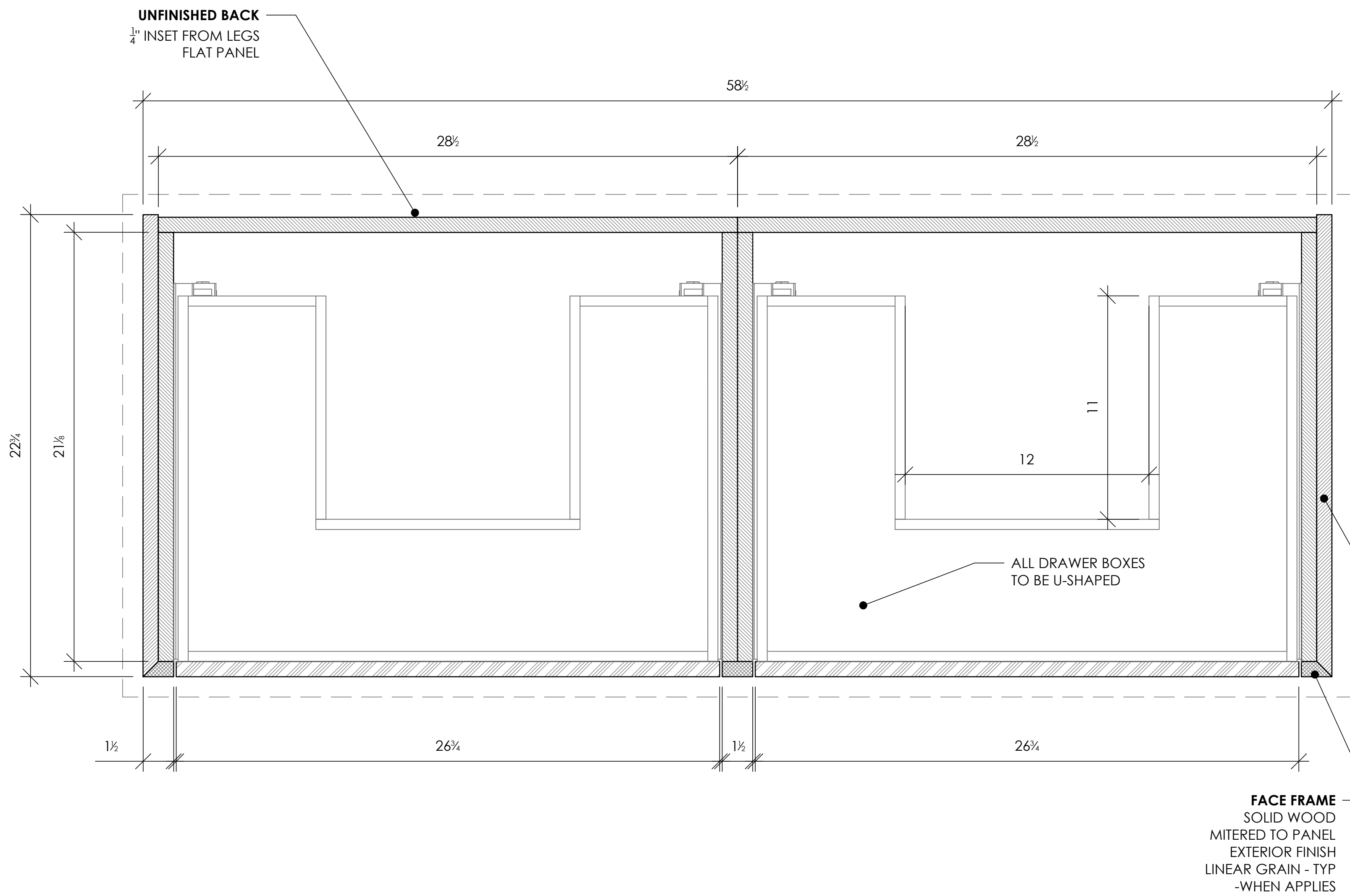
THE KATHERINE

60"
DETAILS

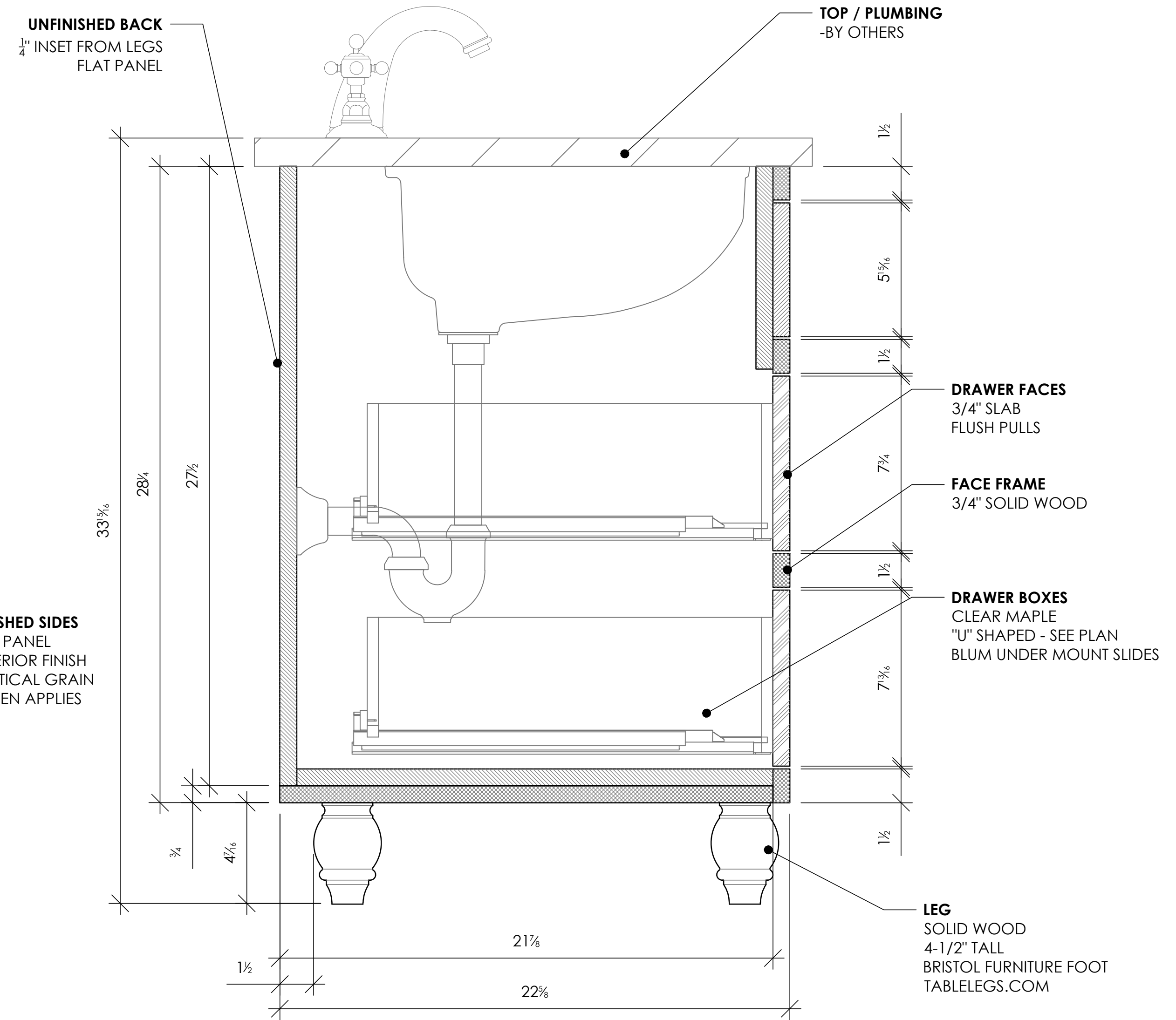
DATE:	08.01.24
DRAFTED BY:	B.WILEY
CHECKED BY:	J.GREEN

2 OF 3

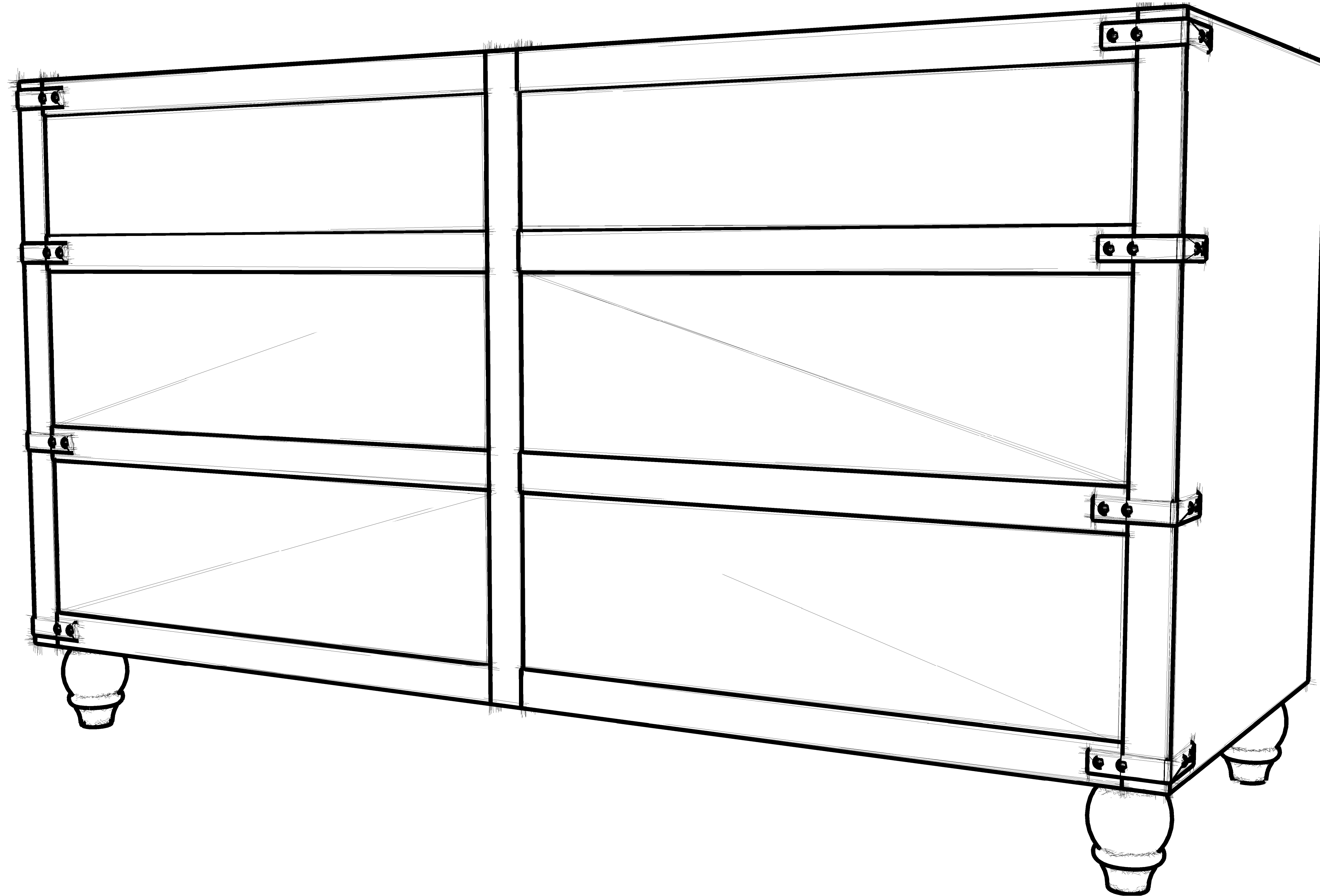
SCALE: AS NOTED



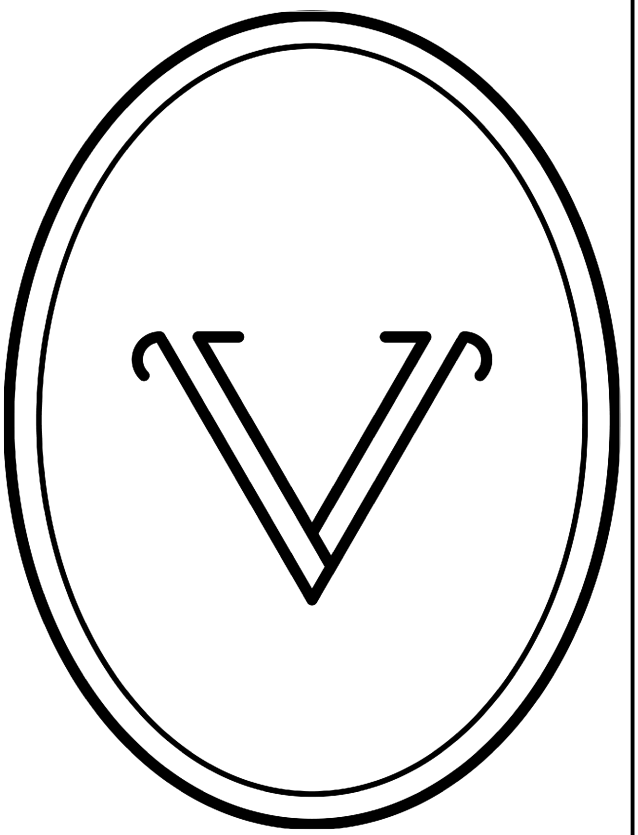
1 VANITY
PLAN SCALE: 3" = 1"



2 VANITY
SIDE SECTION SCALE: 3" = 1"



1 THE KATHERINE - 60"
ISOMETRIC SCALE: NTS



**VANITY
& CO.**

26 CHURCH STREET
WELLESLEY, MA 02482

MATERIALS

3/4", 1" MOISTURE RESISTANT MDF
WHITE OAK OR PAINT GR MAPLE
1/2", 3/4" PREFINISHED MAPLE PLYWOOD
CLEAR FINISH DOVETAILED MAPLE DRAWER BOX
SOLID OAK OR PAINT GR TURNED LEGS

HARDWARE

4 SETS BLUM 563H UNDERMOUNT SOFT CLOSE
DRAWER SLIDES
12 EA RECESSED PULLS: HORTON BRASS #OFF-2
OCTAGONAL FLUSH HANDLE, ANTIQUE
BRASS - PROVIDED BY OTHERS
4 EA CHEST HANDLES: HORTON BRASS #H-558L,
6-5/8", ANTIQUE BRASS - PROVIDED BY
OTHERS
16 EA CORNER BRACKETS: HORTON BRASS
#TH-2B, 3", ANTIQUE BRASS - PROVIDED BY
OTHERS
4 EA STEM LEVELERS, HAFELE #637.05.308, BLACK
WITH 1/4" #20 T-NUTS
8 EA HANGER BOLTS - 5/16" - #18
8 EA T-NUTS 5/16" - #18

FINISH

PAINT FINISH: BEN MOORE - WHITE DOVE, SATIN
POLISHED UNLACQUERED BRASS
STONE: 3CM THICK - BY OTHERS

NO.	DESCRIPTION	DATE

THE KATHERINE

60"
ISOMETRIC

DATE: 11.09.23
DRAFTED BY: B.WILEY
CHECKED BY: J.GREEN

3 OF 3

SCALE: AS NOTED